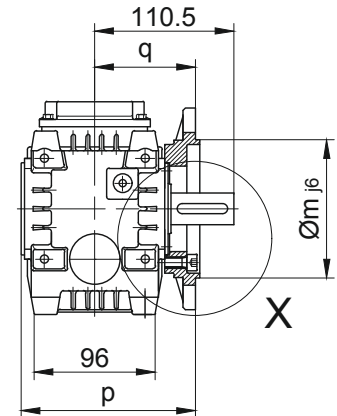
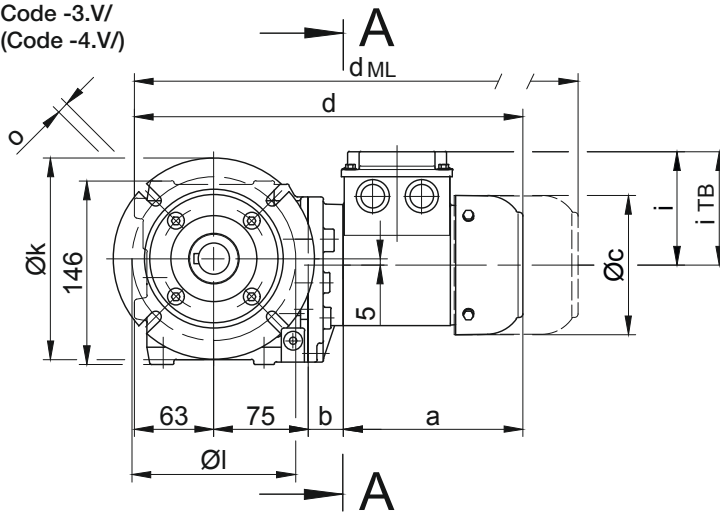


Dimension - Standard

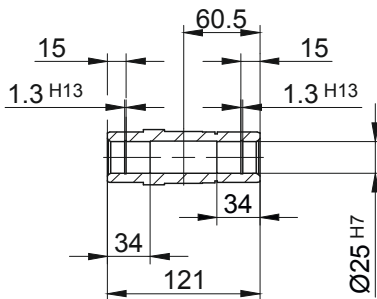
BS06

Flange with clearance holes at front

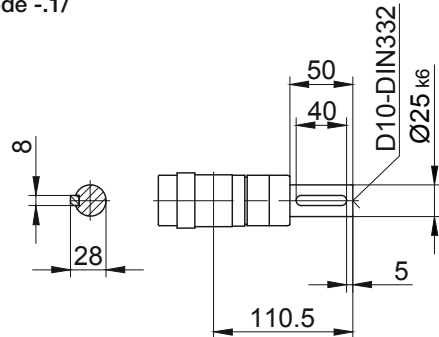
Code -3.V/
(Code -4.V)



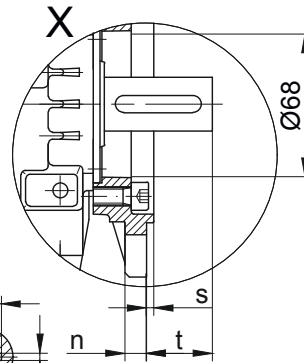
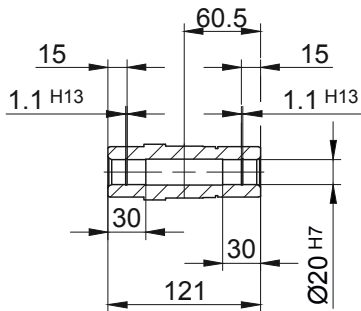
Code -4/
Standard



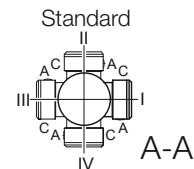
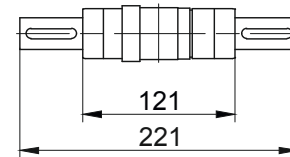
Code -1/



Code -4/K20



Code -3/



Type	Design	k	l	m	n	o	p	q	s	t
BS06..	Code -3.V/	140	115	95	10	9	138,3	80	3	30,5
BS06..	Code -4.V/	160	130	110	10	9	138,3	80	3,5	30,5

Dimensions in millimetres (mm)

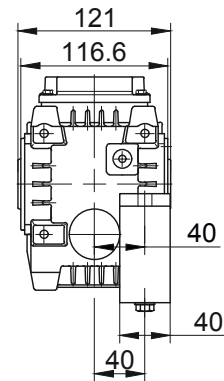
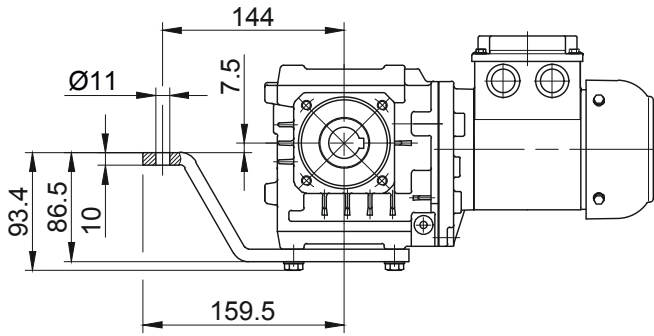
Type	a	b	c	d	i	Design with motor extensions				
						i _{TB}	Brake	Encoder	Brake with Encoder	Back Stop
							d _{ML}	d _{ML}	d _{ML}	d _{ML}
BS06-../D04.A.	142.5	28	110.5	308.5	90	112	352	396	439.5	-
BS06-../D..05.A.	170.5	30	123	338.5	101	117	380.5	441	478.5	-
BS06-../D..06.A.	170.5	30	123	338.5	99	119	380.5	441	478.5	-
BS06-../D..07.A.	190.5	30	123	358.5	99	119	400.5	461	498.5	-
BS06-../D..08.A.	199.5	74	156	411.5	114.5	136.5	477.5	523.5	585	477.5
BS06-../D..08.B.	229.5	74	156	441.5	114.5	136.5	507.5	553.5	614.5	507.5

Dimensions in millimetres (mm)

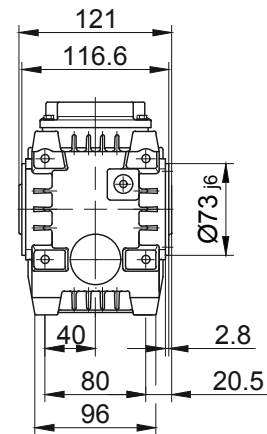
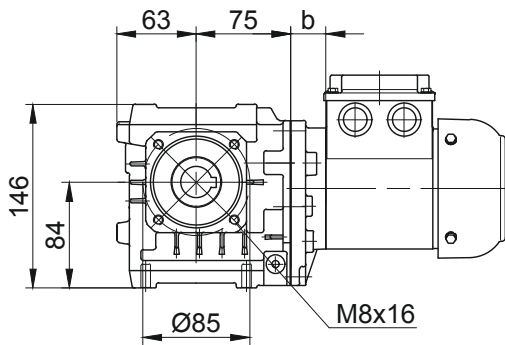
The actual gearbox design can vary from the geometry shown. Generate drive specific 3D and 2D geometries under www.BauerCat.com.

BS06

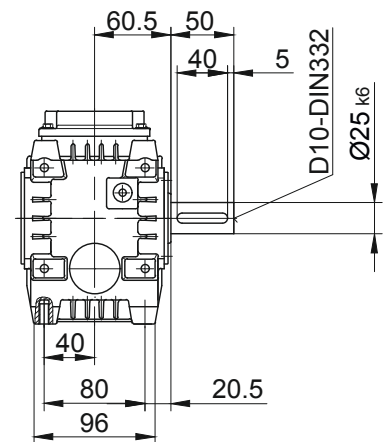
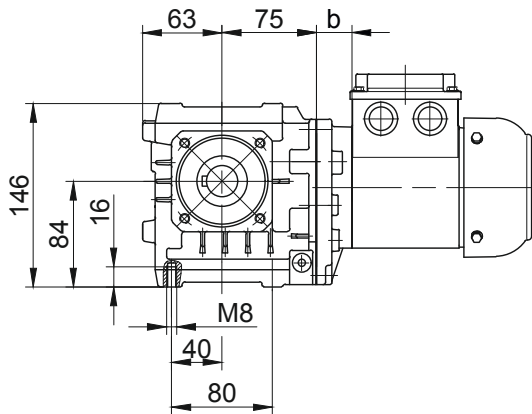
Torque arm at front
Code -5.V/



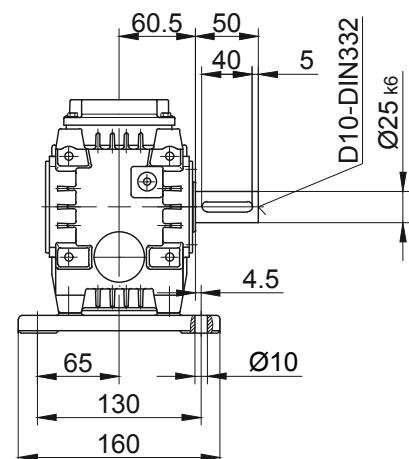
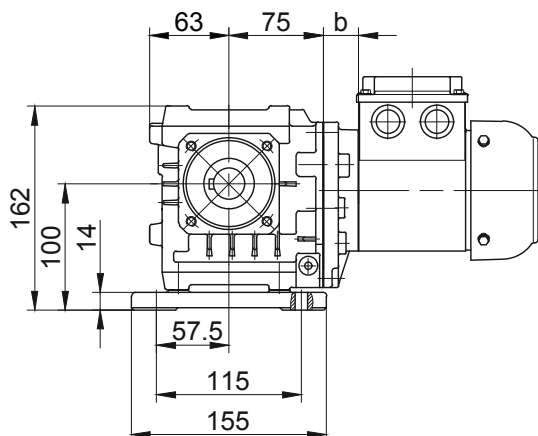
Flange with tapped holes at front
Code -7.V/



Foot with tapped holes at bottom
Code -6.U/



Foot with clearance holes at bottom
Code -1.U/



The actual gearbox design can vary from the geometry shown. Generate drive specific 3D and 2D geometries under www.BauerCat.com.