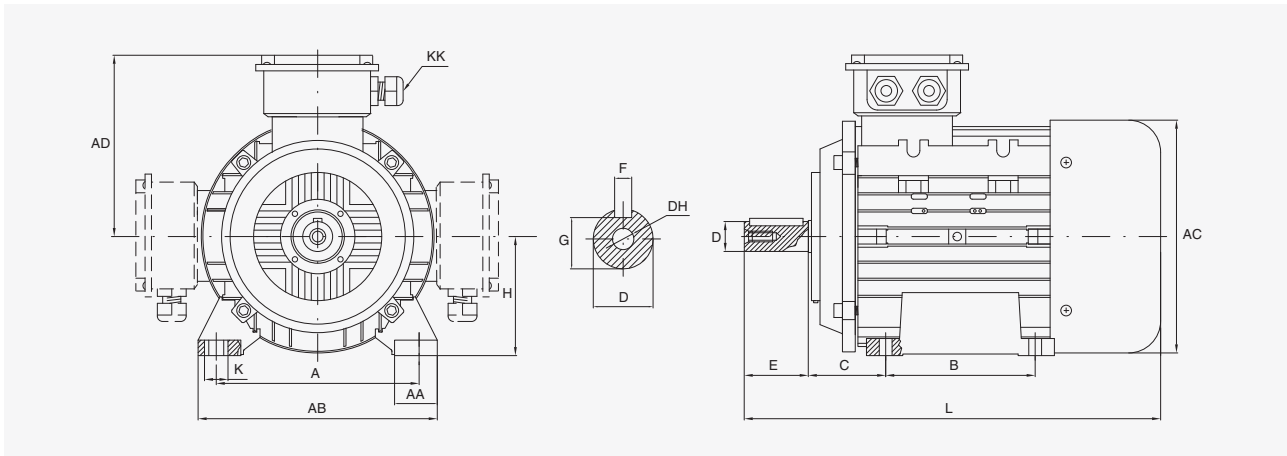


Dimensioni motori B3 / B3 motors dimensions



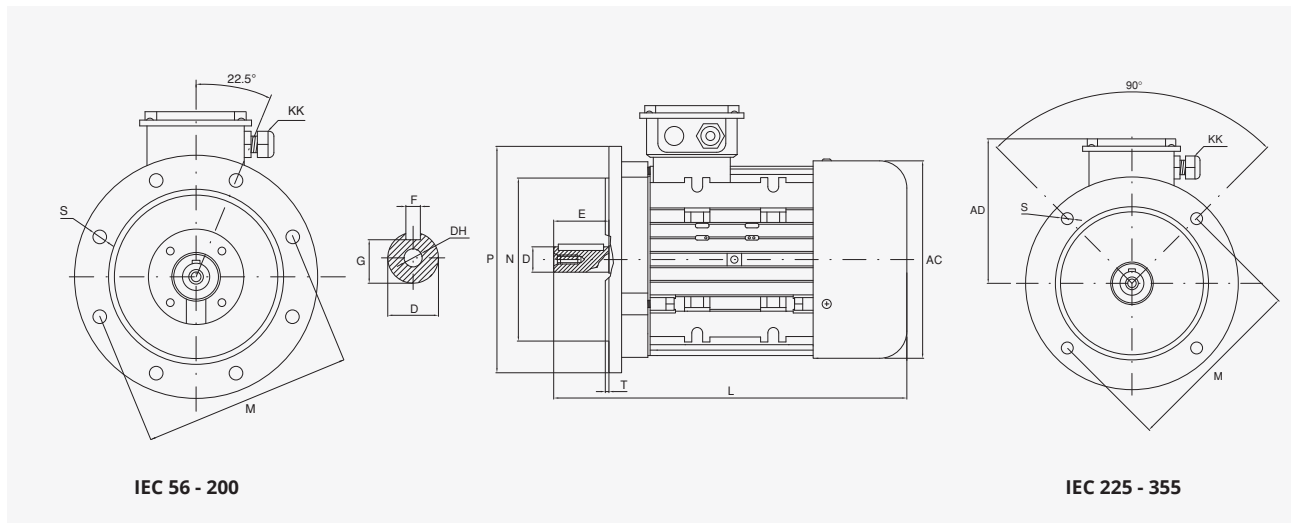
Tab. 18

Grand. Size	Dimensioni / Dimensions														B3
	A	B	C	D	E	F	G	H	K	AB	AC	AD	L	KK	DH
56	90	71	36	9	20	3	7.2	56	5.8	110	112	100	197	1-M16X1.5	M3x12
63	100	80	40	11	23	4	8.5	63	7.0	120	121	110	222	1-M20X1.5	M4X15
71	112	90	45	14	30	5	11	71	7.0	132	140	117	259	1-M20X1.5	M5X18
80	125	100	50	19	40	6	15.5	80	10.0	160	156	137	295	1-M20X1.5	M6X22
90S	140	100	56	24	50	8	20	90	10.0	175	174	145	315	1-M20X1.5	M8X25
90L	140	125	56	24	50	8	20	90	10.0	175	174	145	365	1-M20X1.5	M8X25
100	160	140	63	28	60	8	24	100	12.0	196	199	153	397	1-M20X1.5	M10X28
112M	190	140	70	28	60	8	24	112	12.0	220	220	170	404	2-M25X1.5	M10X28
132S	216	140	89	38	80	10	33	132	12.0	252	258	193	431	2-M25X1.5	M12X34
132M	216	178	89	38	80	10	33	132	12.0	252	258	193	469	2-M25X1.5	M12X34
132L	216	178	89	38	80	10	33	132	12.0	252	258	193	520	2-M25X1.5	M12X34
160M	254	210	108	42	110	12	37,0	160	15,0	315	330	255	605	2-M32x1,5	M16x36
160L	254	254	108	42	110	12	37,0	160	15,0	315	330	255	660	2-M32x1,5	M16x36

* Le dimensioni del terminal box fino alla grandezza 132 compresa potrebbero subire variazioni / The dimensions of the terminal box up to and including size 132 could be changed.

Tutte le quote sono espresse in millimetri (mm) / All the values are expressed in millimeters (mm)

Dimensioni motori B5 / B5 motors dimensions

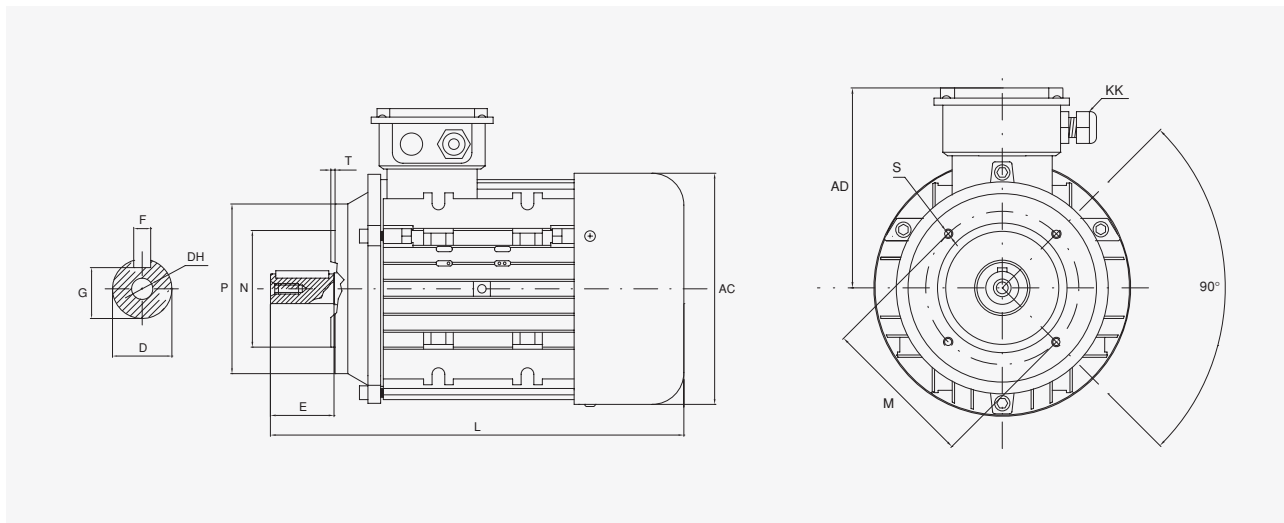


Tab. 19

Grand. Size	Dimensioni / Dimensions													B5	
	D	E	F	G	L	M	N	P	S	T	AD	AC	KK	DH	
56	9	20	3	7.2	197	98	80	120	7	3.0	100	100	1-M16X1.5	M3X12	
63	11	23	4	8.5	222	115	95	140	10	3.0	110	110	1-M20X1.5	M4X15	
71	14	30	5	11	259	130	110	160	10	3.5	117	117	1-M20X1.5	M5X18	
80	19	40	6	15.5	295	165	130	200	12	3.5	137	137	1-M20X1.5	M6X22	
90S	24	50	8	20	315	165	130	200	12	3.5	145	145	1-M25X1.5	M8X25	
90L	24	50	8	20	365	165	130	200	12	3.5	145	145	1-M20X1.5	M8X25	
100	28	60	8	24	397	215	180	250	15	4.0	153	199	1-M20X1.5	M10X28	
112M	28	60	8	24	404	215	180	250	15	4.0	170	220	2-M25X1.5	M10X28	
132S	38	80	10	33	431	265	230	300	15	4.0	193	258	2-M25X1.5	M12X34	
132M	38	80	10	33	469	265	230	300	15	4.0	193	258	2-M25X1.5	M12X34	
132L	38	80	10	33	520	265	230	300	15	4.0	193	258	2-M25X1.5	M12X34	
160M	42	110	12	37,0	615	300	250	350	19	5	-	330	2-M32x1,5	M16x36	
160L	42	110	12	37,0	670	300	250	350	19	5	-	315	2-M32x1,5	M16x36	

Tutte le quote sono espresse in millimetri (mm) / All the values are expressed in millimeters (mm)

Dimensioni motori B14 / B14 motors dimensions



Tab. 20

Grand. Size	Dimensioni / Dimensions													B14
	D	E	F	G	L	M	N	P	S	T	AD	AC	KK	DH
56*	9	20	3	7.2	197	65	50	80	5	2.5	100	120	1-M16X1.5	M3X12
63*	11	23	4	8.5	222	75	60	90	5	2.5	110	121	1-M20X1.5	M4X15
71*	14	30	5	11	259	85	70	105	6	2.5	117	140	1-M20X1.5	M5X18
80*	19	40	6	15.5	295	100	80	120	6	3.0	137	156	1-M20X1.5	M6X22
90S	24	50	8	20	315	115	95	140	8	3.0	145	174	1-M25X1.5	M8X25
90L	24	50	8	20	365	115	95	140	8	3.0	145	174	1-M25X1.5	M8X25
100	28	60	8	24	397	130	110	160	8	4	153	199	1-M20X1.5	M10X28
112	28	60	8	24	404	130	110	160	8	4	170	220	2-M25X1.5	M10X28
132S	38	80	10	33	431	165	130	200	10	4	193	258	2-M25X1.5	M12X34
132M	38	80	10	33	469	165	130	200	10	4	193	258	2-M25X1.5	M12X34
132L	38	80	10	33	520	165	130	200	10	4	193	258	2-M25X1.5	M12X34

*Flangia 8 fori / 8-hole flange

Tutte le quote sono espresse in millimetri (mm) / All the values are expressed in millimeters (mm)