



Manual Call Point IP24 **Salwico MCP-C (GB)**

Part no. 5200010-01A

System: Salwico Cargo, Salwico Cruise, Salwico Workboat,
Salwico Yacht, Salwico RoPax, CS4000, ServoFighter, C300,
C303, C308, C316


General Description

The MCP-C is a manual call point for indoor environment and is designed for the Salwico conventional fire alarm systems.

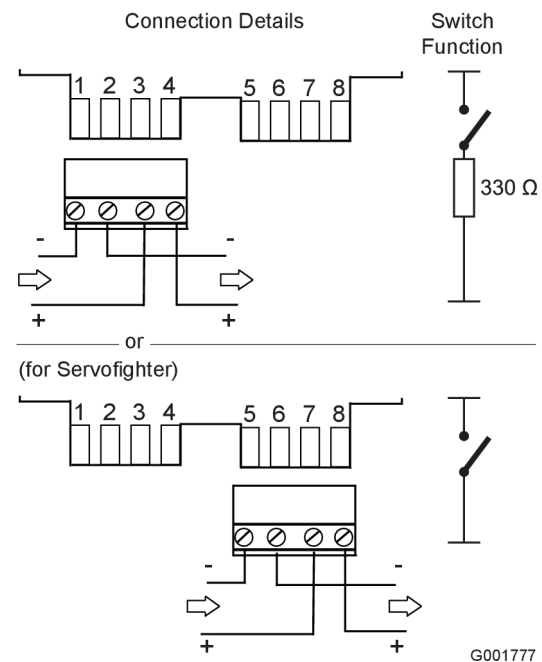
Pressing the glass causing it to crack activates the fire alarm. A protective plastic coating on the glass prevents operator injury.

The call point can be tested with a special key included in the delivery.

Data

Nominal voltage	24 VDC
Working voltage	16-30 VDC
Supervising current	0 mA
Alarm current	~90 mA
Ingress protection	IP24
Temperature range	-10°C to +55°C
Ambient humidity	0 to 95% RH
Material	PC/ABS
Colour	Red
Weight	160 g
Cable dimension	Ø6-14 mm
Certified according to	 0832
Spare glasses (10pcs.)	Part no. 5200075-00A

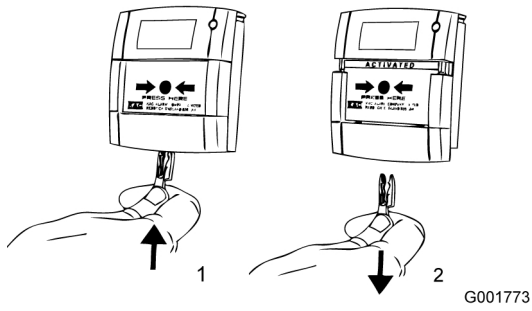
Connection



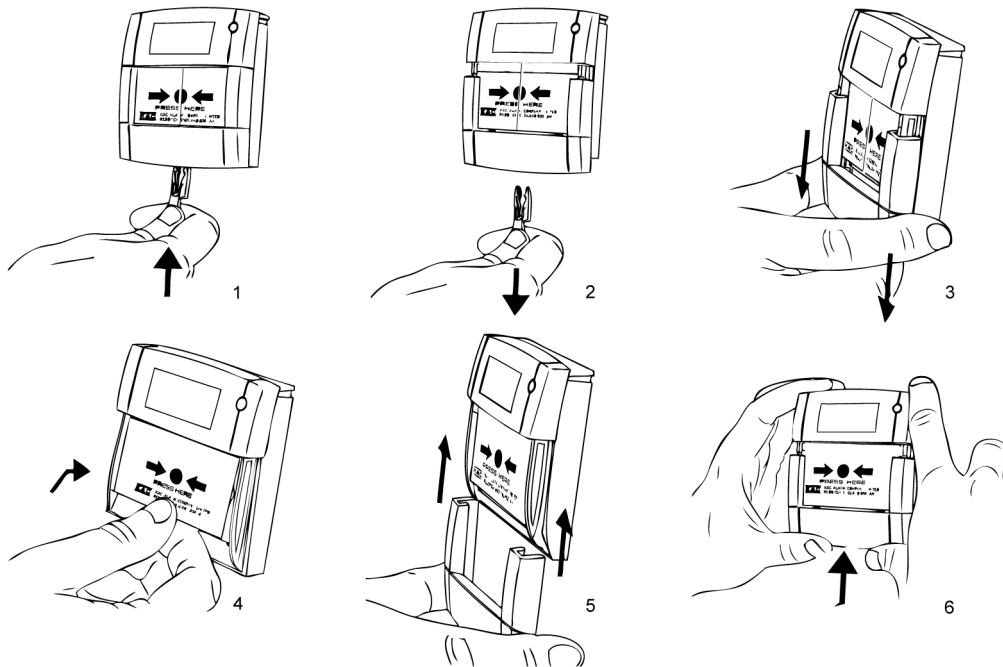
NOTE!

After the last section unit, add an **End of line** resistor between terminals 2 and 4 or 6 and 8 (for servofighter) according to system specification.

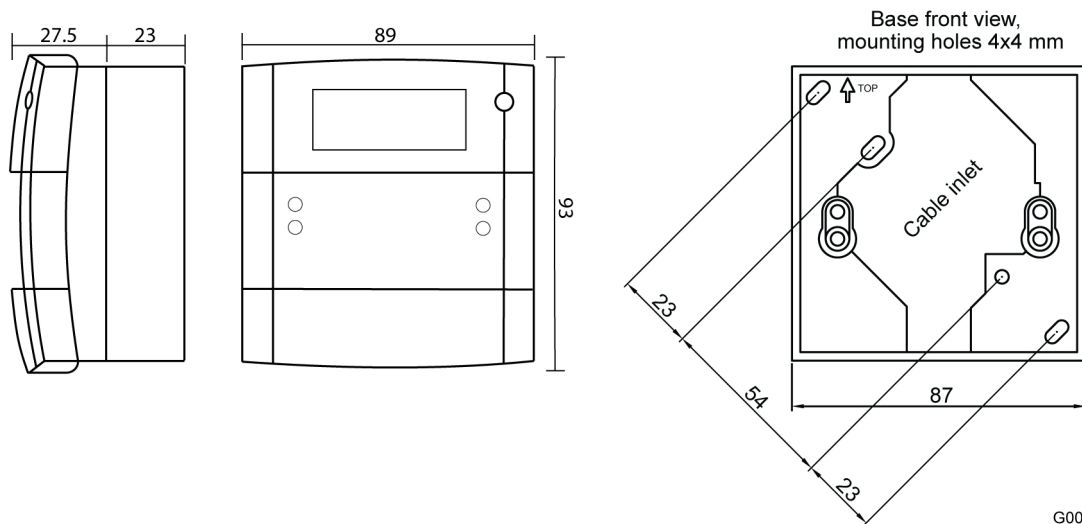
Test



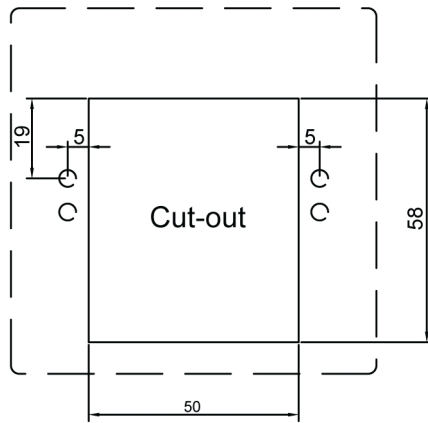
Change Glass



Dimensions (mm)



Mounting Dimensions (mm)



G003141