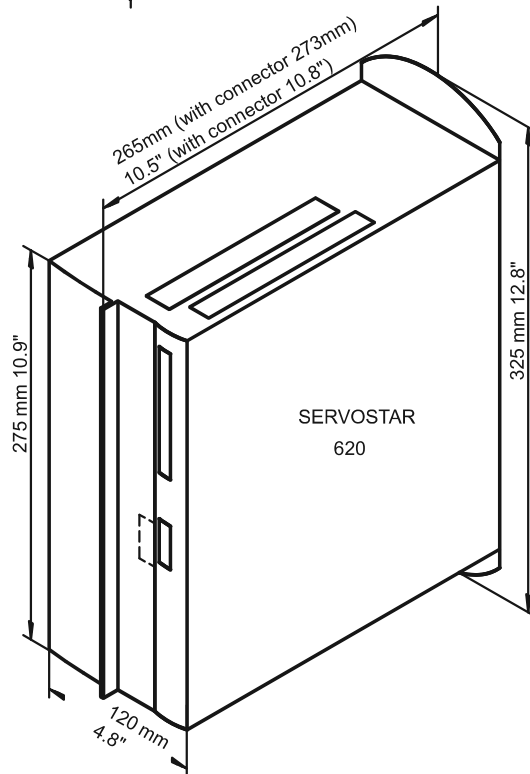
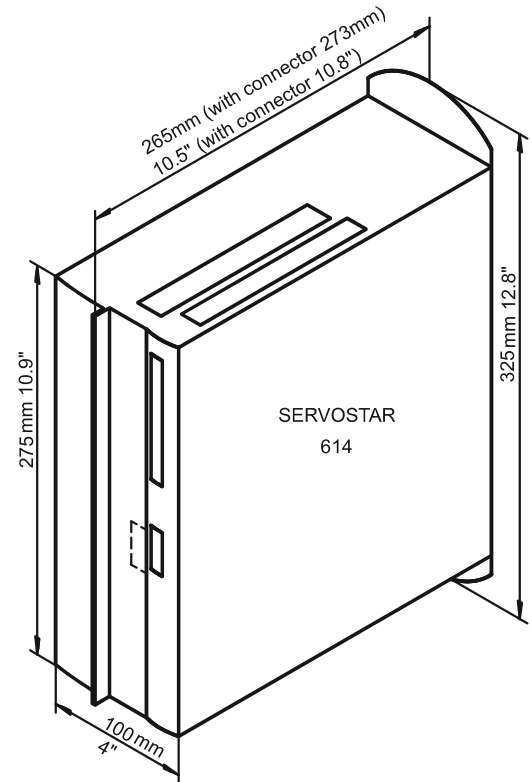
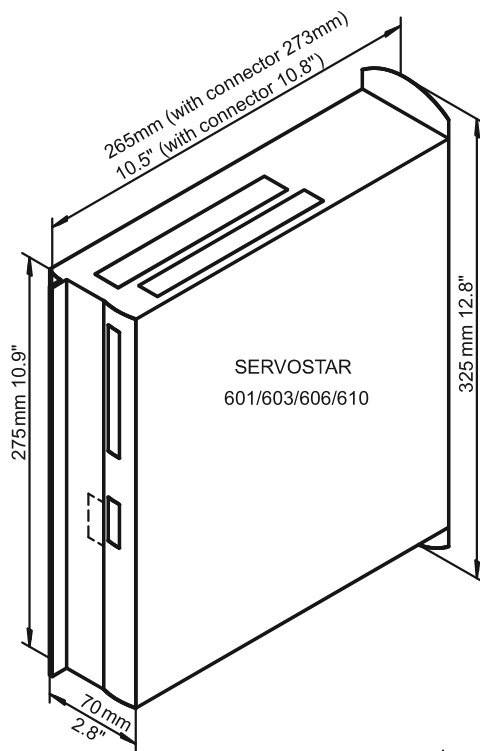


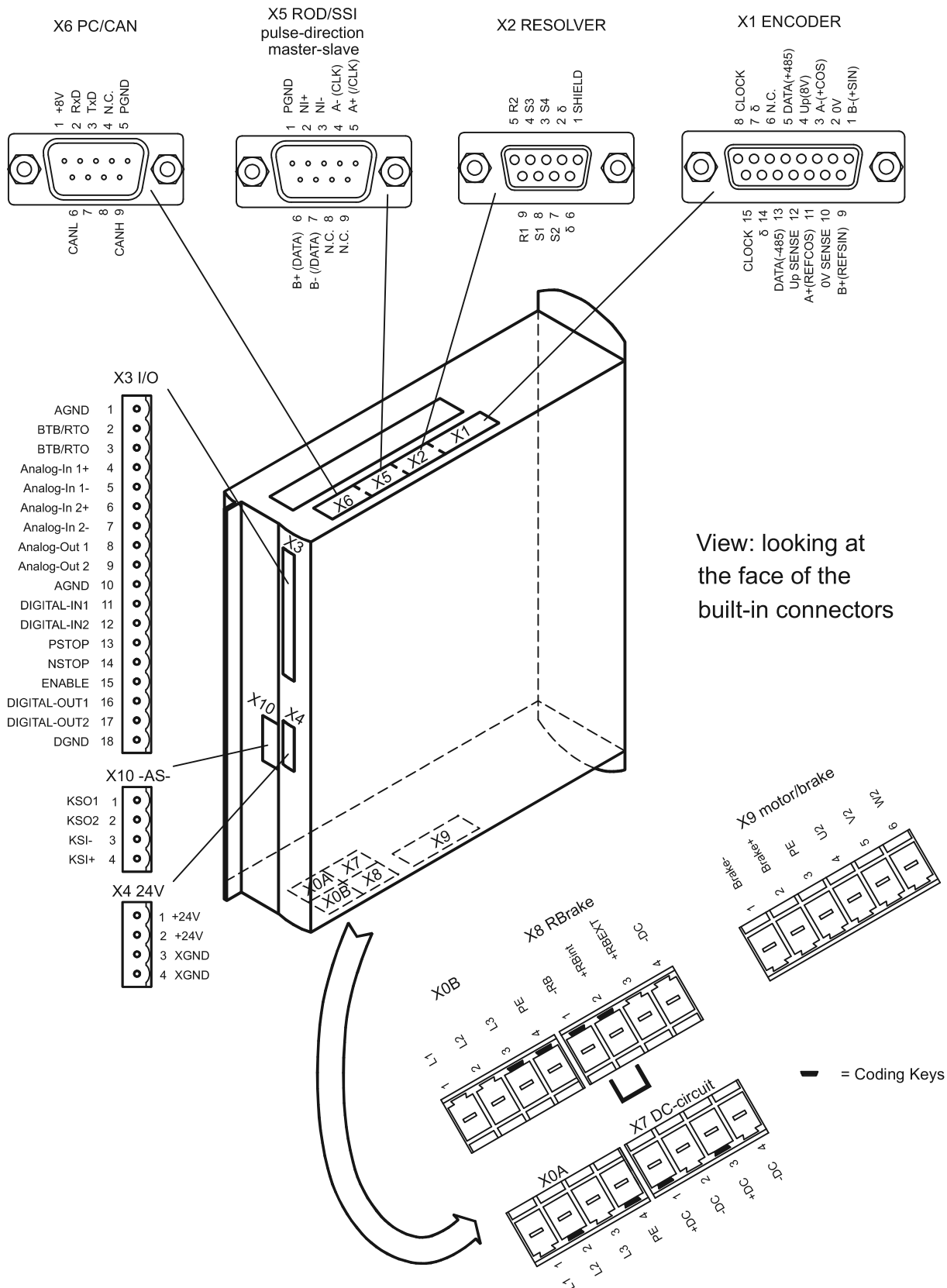
6.2 Technical data

Rated data	DIM	SERVOSTAR						
		601	603	606	610	610-30	614	620
Rated supply voltage (grounded system) (L1,L2,L3)	V~	3 x 230V _{-10%} ... 480V ^{+10%} , 50 Hz						
	V~	3 x 208V _{-10%} ... 480V ^{+10%} , 60 Hz						
Rated installed load for S1 operation	kVA	1	2	4	7	7	10	14
Rated DC bus link voltage	V=	290 - 675						
Rated output current (rms value, ± 3%)	A _{rms}	1.5	3	6	10	10	14	20
Peak output current (max. ca. 5s, ± 3%)	A _{rms}	3	6	12	20	30 (2s)	28	40
Clock frequency of the output stage	kHz	8 (16 with VDCmax=400V)						
Technical data for brake circuit	—	⇒ p.27						
Oversvoltage protection threshold	V	450...900						
Max. load inductance	mH	150	75	40	25	24	15	12
Min. load inductance	mH	25	12	7.5	4	4	2.5	2
Form factor of the output current (at rated data and min. load inductance)	—	1.01						
Bandwidth of subordinate current controller	kHz	> 1.2						
Residual voltage drop at rated current	V	5						
Quiescent dissipation, output stage disabled	W	15						
Dissipation at rated current (incl. power supply losses, without brake dissipation)	W	30	40	60	90	90	160	200
Inputs								
Setpoint 1/2, resolution 14bit/12bit	V	±10						
Common-mode voltage max.	V	±10						
Input resistance to AGND	kΩ	20						
Digital inputs	V	according to IEC 61131						
Digital outputs, open collector	V	according to IEC 61131						
BTB/RTO output, relay contacts	V	DC max. 30, AC max. 42						
	mA	500						
Aux. power supply, electrically isolated without brake	V	24 (-0% +15%)						
	A	1 (max. 16)						
Aux. power supply, electrically isolated with brake (consider voltage loss!)	V	24 (-0% +15%)						
	A	3 (max. 16)						
Min./max. output current, brake	A	0,15 / 2						
Connections								
Control signals	—	Combicon 5.08 / 18 pole , 2,5mm ²						
Power signals	—	Power Combicon 7.62 / 4x4 + 1x6-pole, 4mm ²						
Resolver input	—	SubD 9pole (socket)						
Sine-cosine encoder input	—	SubD 15pole (socket)						
PC-interface, CAN	—	SubD 9pole (plug)						
Encoder simulation, ROD (EEO) / SSI	—	SubD 9pole (plug)						
Mechanical								
Weight	kg	4					5	7.5
Height without connectors	mm	275						
Width	mm	70					100	120
Depth without connectors	mm	265						

7.4 Dimensions



8.6 Pin assignments



8.7 Connection diagram (overview)

Reference Safety Instructions (⇒ p.10) and Use As Directed (⇒ p.12) !

