

1490 5 Digit 1/8 DIN Panel Indicator



Features

- Universal Input
- 2 Alarm Outputs
- Retransmission
- Min/max Value Hold
- Modbus Communications
- Transmitter Power supply

Description

The 1490 is a Universal Input Indicator with single or dual configurable alarms, optional linear retransmission of Process Variable, Transmitter power supply option as well as optional Modbus communications.

Technical Data

FEATURES

Output Configuration	1 or 2 relay outputs, with optional linear retransmission
Alarms	2 process high / low with adjustable hysteresis
Viewable Values	Process variable, maximum value, minimum value
Human Interface	3 button operation, 5 digit 13mm high display red, green, 2 alarm indicator

INPUT

Thermocouple	J, K, C, R, S, T, B, L, N & PtRh20%vsPtRh40%.
RTD	3 Wire PT100, 50Ω per lead maximum (balanced)
Strain Gauge	350 Ohm Strain Gauge
Bridge Connection:	4 or 6 wire (6 to use internal shunt cal switch)
Bridge Excitation:	10 V +/- 7%
Bridge Sensitivity:	1.4 - 4 mV/V
Input Signal Span:	- 25% to +125% of full scale (approximately -10 mV to +50 mV)

Calibration: Internal switch between CAL2 & CAL1 terminals. External resistor only.

Shunt Value: From 40% to 100%

DC Linear 0 to 20mA, 4 to 20mA, 0 to 50mV, 10 to 50mV, 0 to 5V, 1 to 5V, 0 to 10V, 2 to 10V.

Scaleable: 1999 to 99999, with adjustable decimal point

Impedance >10MΩ for Thermocouple and mV ranges, 47KΩ for V ranges and 5Ω for mA ranges

Accuracy ±0.1% of input range ±1 LSD (T/C CJC better than 1°C)

Sampling 10 per second, 16 bit resolution approximately (100ms sample time)

Sensor Break Detection <2 seconds (except zero based DC ranges), high alarms activate for T/C, RTD and mV ranges, low alarms activate for mA or V ranges

OUTPUTS & OPTIONS

Alarm Relays Contacts Single Relay SPDT 2 Amp resistive at 240V AC, >500,000 operations. Latching or non-latching. Dual Relay SPST 2 Amp resistive at 240V >200,000 operations. Reinforced safety isolation from inputs and other outputs.

DC Linear Retransmit Outputs 0 to 20mA, 4 to 20mA into 500Ω max, 0 to 10V, 2 to 10V, 0 to 5V into 500Ω min. 15 3/4 bit (1 part in 52K) and updated at about 65ms intervals. (130ms settling time) Stability: ± 76ppm

Transmitter Power Supply Output 24VDC (nominal) into 910Ω minimum to power external devices

Serial Communications Logic Input 2 Wire RS485, 1200 to 19200 Baud, Modbus External reset of latched relay, stored alarm 1 elapsed time, stored min/max PV values or initiate tare function. Action occurs on high (3 to 5VDC) to low <0.8VDC, or Open to Closed transition.

OPERATING & ENVIRONMENTAL

Temperature & RH 0 to 55°C (-20 to 80°C storage), 20% to 95% RH non-condensing

Power Supply 85 to 264V 50/60Hz 7.5VA (optional 20 to 48V AC 7.5VA/22 to 65V DC 5 watts)

Front Panel Protection Standards IEC IP66 (Behind panel protection is IP20) CE. Pollution Degree 2, Installation Category II "UL Listed".



Ordering Guide

Number of Alarms	
Single Alarm	1
*Dual Alarm Common Gnd	2
Dual Alarm Independent Gnd	4.

* Required when Transmitter Power Supply is fitted

1490-X-X-X-X

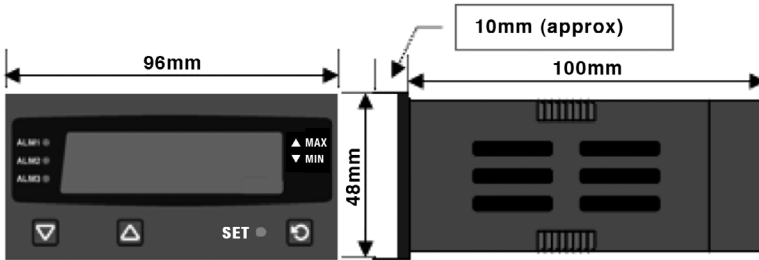
Retransmission	
Not Fitted	0
Fitted	1

Transmitter Power Supply	
Not Fitted	0
Fitted	1

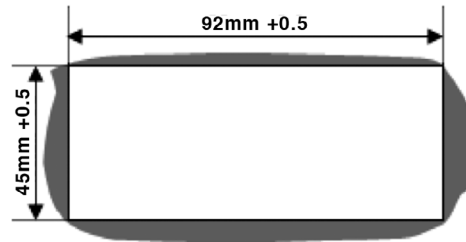
Modbus Communications	
Not Fitted	0
Fitted	1

Supply Voltage	
110-240V AC Mains	0
24V AC/DC	1

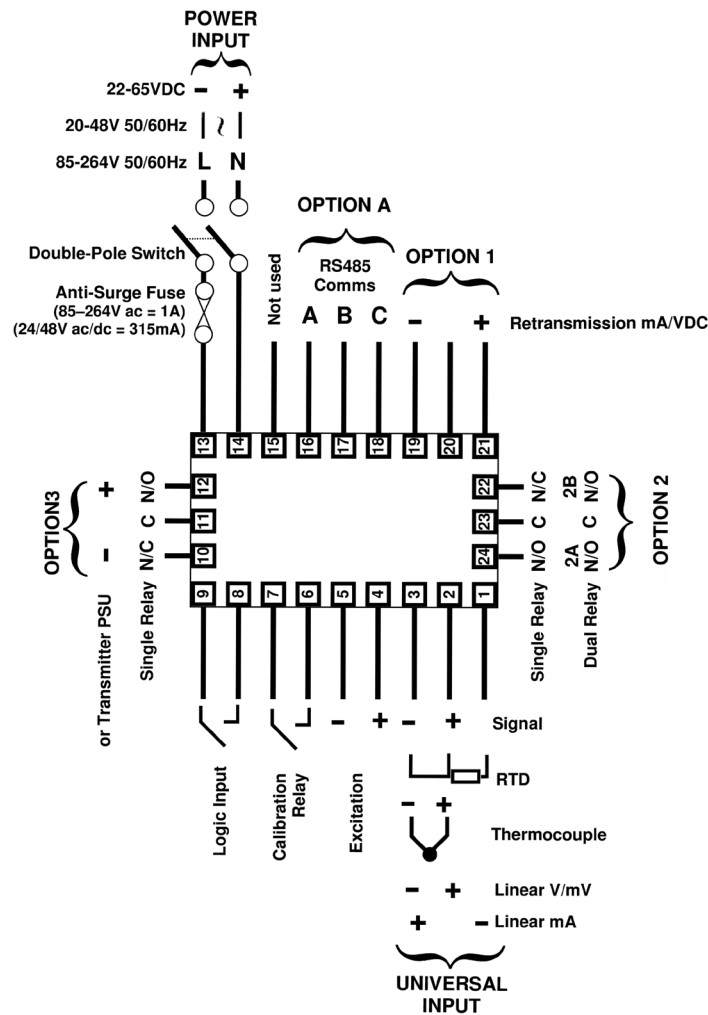
DIMENSIONS



CUT-OUT



WIRING LABEL/REAR TERMINALS



All dimensions are inches (mm) unless otherwise specified.

©2012. Dynisco reserves the right to make changes without notice.

Refer to www.Dynisco.com for access to Instruction Manual and other support documentation.