

Author: G. REZOHIER Date of the revision 2023-05-30: Documentary Update (UKCA Marking + Elimination of the supply of the capacitor)

**RANGE: Single inlet centrifugal fans with DC motor**

|                        |                         |         |        |                                       |
|------------------------|-------------------------|---------|--------|---------------------------------------|
| OEP                    | 3990                    | Test    | LF31Lc | Customer                              |
|                        |                         | Winding | G88    | Reference                             |
| Drawing of the product | BIS_J21-A2<br>p_l=e.pdf |         |        | Designation <b>2GRE45<br/>180x75R</b> |



**ELECTRICAL DATA**

|                          |                         |                         |
|--------------------------|-------------------------|-------------------------|
| Speed                    |                         |                         |
| Tension (V)              | 230                     | 230                     |
| Frequency (Hz)           | 50                      | 60                      |
| Current (A)              | 1.18                    | 1.29                    |
| Maximum current (A)      | 1.40                    | 1.43                    |
| Power (W)                | 271                     | 295                     |
| Maximum power (W)        | 307                     | 317                     |
| Rotation (RPM)           | 1925                    | 2040                    |
| Cos Φ                    | 0.999                   | 0.994                   |
| Temperature min/max (°C) | -20/+60                 | -20/+50                 |
| Capacitor (µF)           | 6.00                    | 6.00                    |
| U_condo (V)              | 400                     | 400                     |
| Comments                 | Z I en dessous de 325Pa | Z I en dessous de 400Pa |

**Winding temperature cold** (Temperature at 20°C, tolerances 7%)

|          |          |
|----------|----------|
| PP       | PA       |
| 31.0 Ohm | 38.0 Ohm |

**Temperature variation** (110% of the voltage)

| F (Hz) | Average elevation (°K) | Speed |
|--------|------------------------|-------|
| 50 Hz  | 84 °K                  |       |
| 60 Hz  | 94 °K                  |       |

**Dielectric strength** 1500 VAC 60 seconds

**Direction of rotation** CW

**MARKING & STANDARDS**

Conformity

- CE
- UKCA



Author: G. REZOHIER

Date of the revision 2023-05-30:

Documentary Update (UKCA Marking  
+ Elimination of the supply of the  
capacitor)

## TECHNICAL DATA

### Description

- Weight: 4.70 kg
- With Condensat Drain Holes
- Class F
- Protection level: 44 | Protection against ingress of solid with diameter  $\geq 1$  mm / Protection against ingress of water : splashing
- Motor's protection T150° C Automatic reset
- Bearing type: 2 ball bearings 608ZZ + 6000ZZ
- Balance level: G2.5

### Special features

- any

### Limiting conditions of operation

- Prohibited area below 325Pa at 50Hz
- Prohibited area below 400Pa at 60Hz

## ADDITIONAL DATA

### Documentations

- Operating and recycling manual  
<http://www.ecofit.com/anglais/normes>

### Measurement setup

- Scroll 15223-0 VOL VJ1

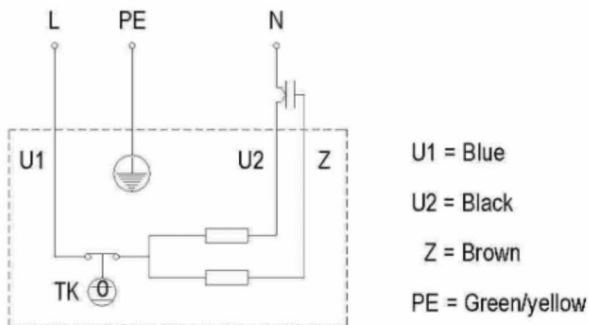
Author: G. REZOHIER

Date of the revision 2023-05-30:

Documentary Update (UKCA Marking  
+ Elimination of the supply of the  
capacitor)

## CONNECTORS

### Wiring diagram



## ERP DATA

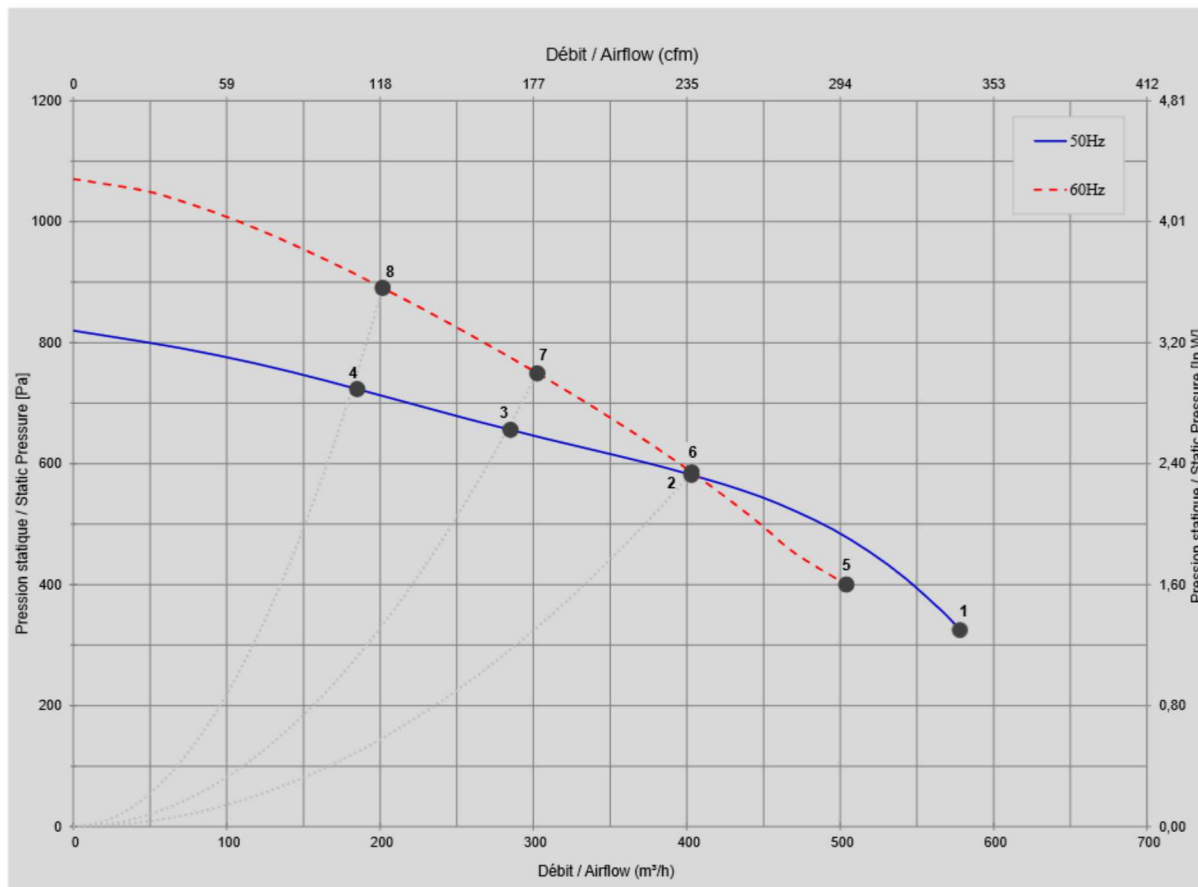
ErP Directive ErP (EU 2009/125/EC) not applicable:

- Designed for embedded application

Author: G. REZOHIER

Date of the revision 2023-05-30: Documentary Update (UKCA Marking + Elimination of the supply of the capacitor)

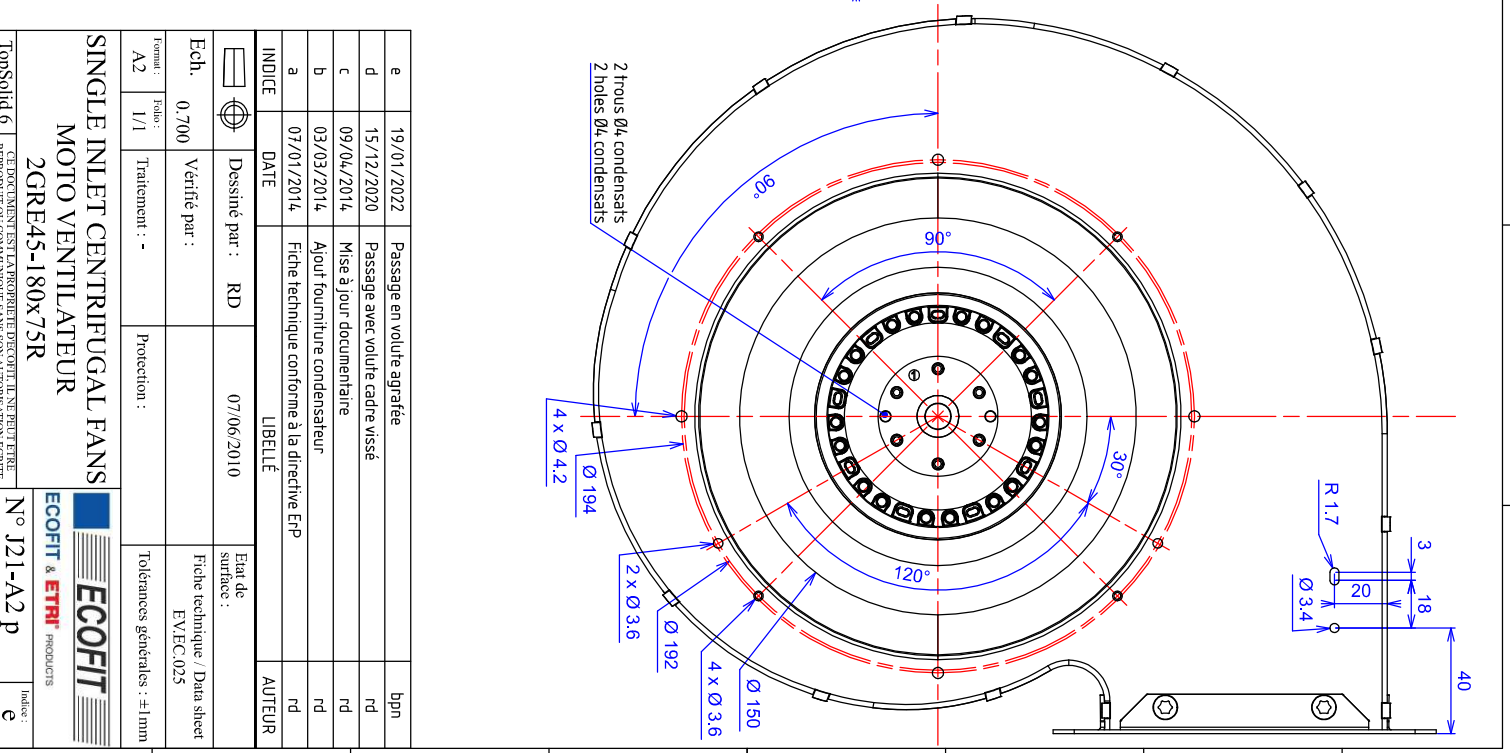
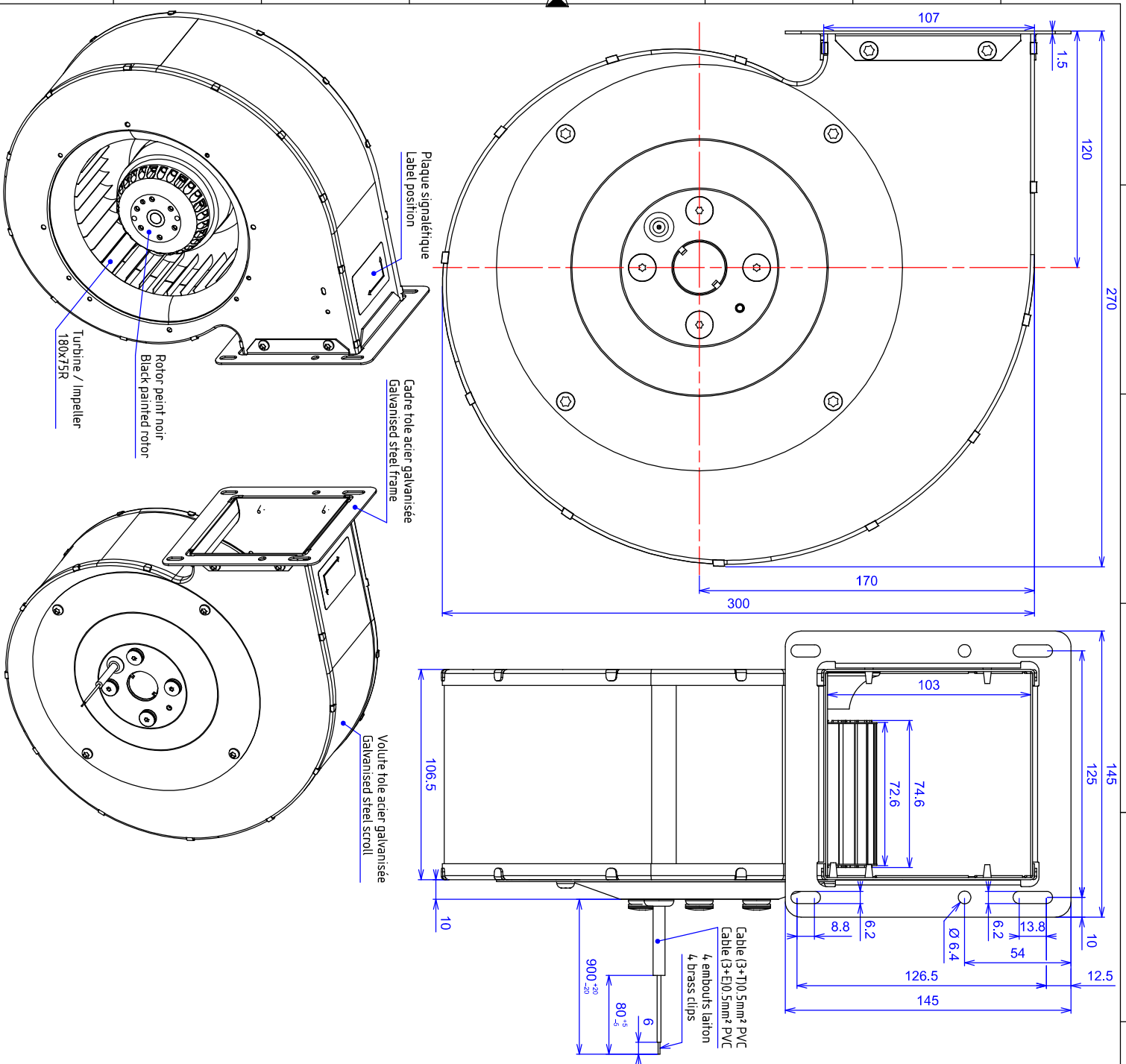
TECHNICAL DATA



Mesures / Measured Values \*

|   | Un (V) | F (Hz) | C (µF) | P (W) | n (RPM) | Q (m³/h) | P (Pa) | Q (cfm) | P (in.W) | Lp <sub>in</sub> (dBA) |
|---|--------|--------|--------|-------|---------|----------|--------|---------|----------|------------------------|
| 1 | 230    | 50     | 6      | 271   | 1925    | 578      | 325    | 340     | 1,302    |                        |
| 2 | 230    | 50     | 6      | 215   | 2401    | 403      | 582    | 237     | 2,330    |                        |
| 3 | 230    | 50     | 6      | 181   | 2573    | 285      | 656    | 168     | 2,627    |                        |
| 4 | 230    | 50     | 6      | 158   | 2689    | 185      | 723    | 109     | 2,898    |                        |
| 5 | 230    | 60     | 6      | 295   | 2040    | 504      | 400    | 297     | 1,602    |                        |
| 6 | 230    | 60     | 6      | 278   | 2445    | 403      | 586    | 237     | 2,346    |                        |
| 7 | 230    | 60     | 6      | 251   | 2716    | 302      | 750    | 178     | 3,003    |                        |
| 8 | 230    | 60     | 6      | 223   | 2987    | 202      | 891    | 119     | 3,568    |                        |

\* Air performance measured according to: ISO 5801, installation category C. Intake-side sound level: according to ISO 3744, LpA measured at 1 m distance from fan axis. The values given are only applicable under the specified measuring conditions and may differ depending on the installation conditions. In the event of deviation



| INDICE | DATE       | LIBELLÉ                                     | AUTEUR |
|--------|------------|---|--------|
| a      | 07/01/2014 | Fiche technique conforme à la directive ErP | rd     |
| b      | 03/03/2014 | Ajout fourniture condensateur               | rd     |
| c      | 09/04/2014 | Mise à jour documentaire                    | rd     |
| d      | 15/12/2020 | Passage en volute agrafée                   | bdn    |
| e      | 19/01/2022 | Passage en volute agrafée                   | bdn    |

|               |       |               |   |
|---------------|-------|---------------|---|
| Ech.          | 0,700 | Vérifié par : |   |
| Forma :       | A2    | Traitement :  | - |
| Folio :       | 1/1   | Protection :  |   |
| Dessiné par : | RD    | 07/06/2010    |   |

|                             |                              |
|-----------------------------|------------------------------|
| Etat de surface :           | Fiche technique / Data sheet |
| Tolérances générales : ±1mm | EVE/C.025                    |

|  |                          |
|--|--------------------------|
| <b>SINGLE INLET CENTRIFUGAL FANS</b><br><b>MOTO VENTILATEUR</b><br><b>2GRE45-180x75R</b> |                          |
| TopSolid 6   | ECOFLIT & ETRI PRODUCERS |
| N° J21-A2 p  | Indice :                 |
|  | e                        |