



**European *T*echnical *C*enter  
for Engineering & Distribution GmbH**



*ETC-Distribution*  
[www.etc-distribution.com](http://www.etc-distribution.com)

## Seitenkanalverdichter



Zubehoer fuer.....

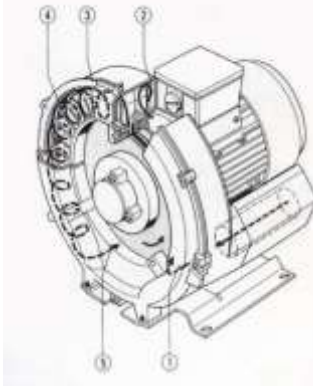
## Side Channel blowers



Accessories for.....

# Seitenkanalverdichter fuer Vakuum und Druck

- 1) Luft/Gas tritt am Eingangstutzen ein und wird mit den Schaufel des Laufrades in Drehrichtung mitgerissen.
- 2) Das hoch effiziente Design des Laufrades beschleunigt die Luft/Gas und drueckt sie in den Seitenkanal.
- 3) Im Seitenkanal wird die hohe Velozitaet in Druck umgewandelt die dann zurueck zum Schaufelrad umgelenkt wird.
- 4) Diese Spiraldrehrichtung wird bis zum Austritt des Gases/Luft am Austrittsstutzen weitergefuehrt.
- 5) Der regenerative Prozess resultiert in einem hohen Druckdifferential.



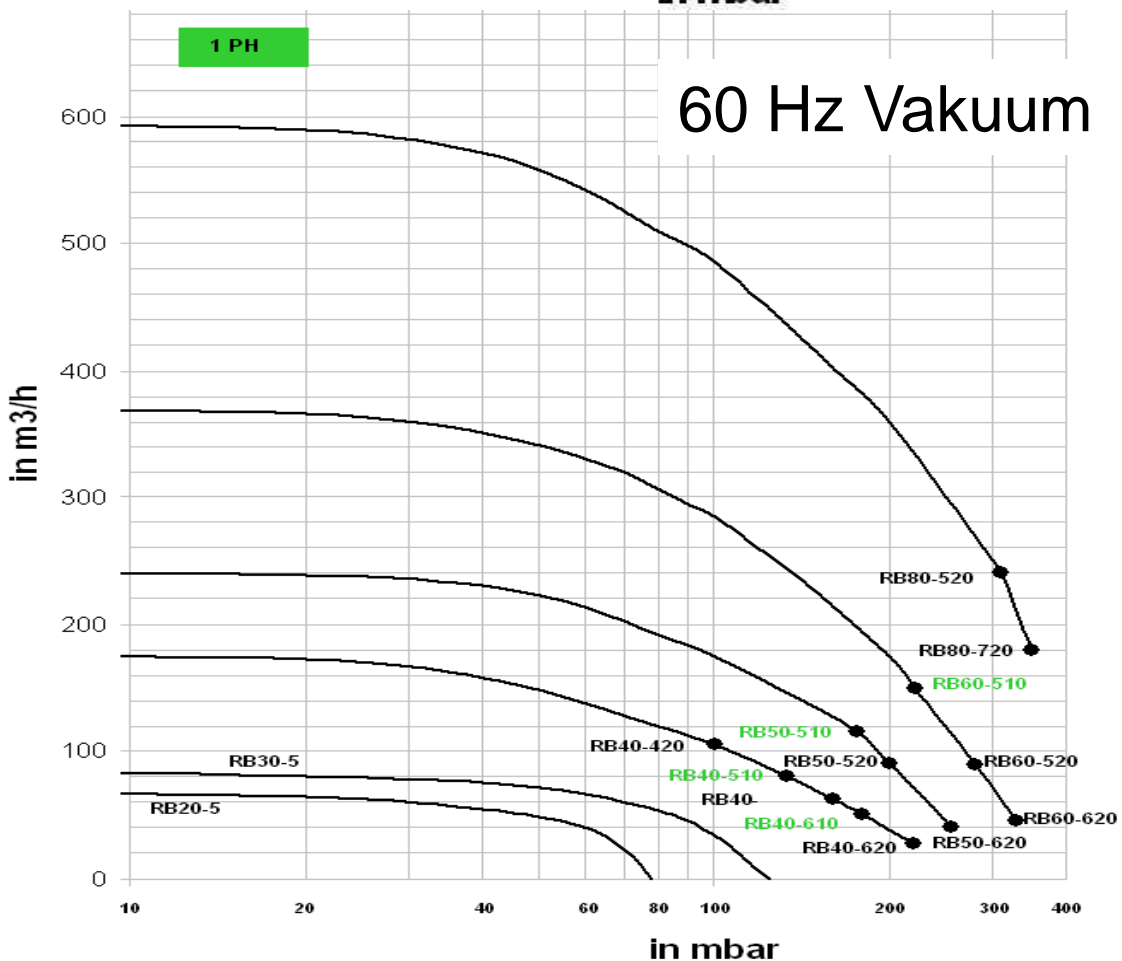
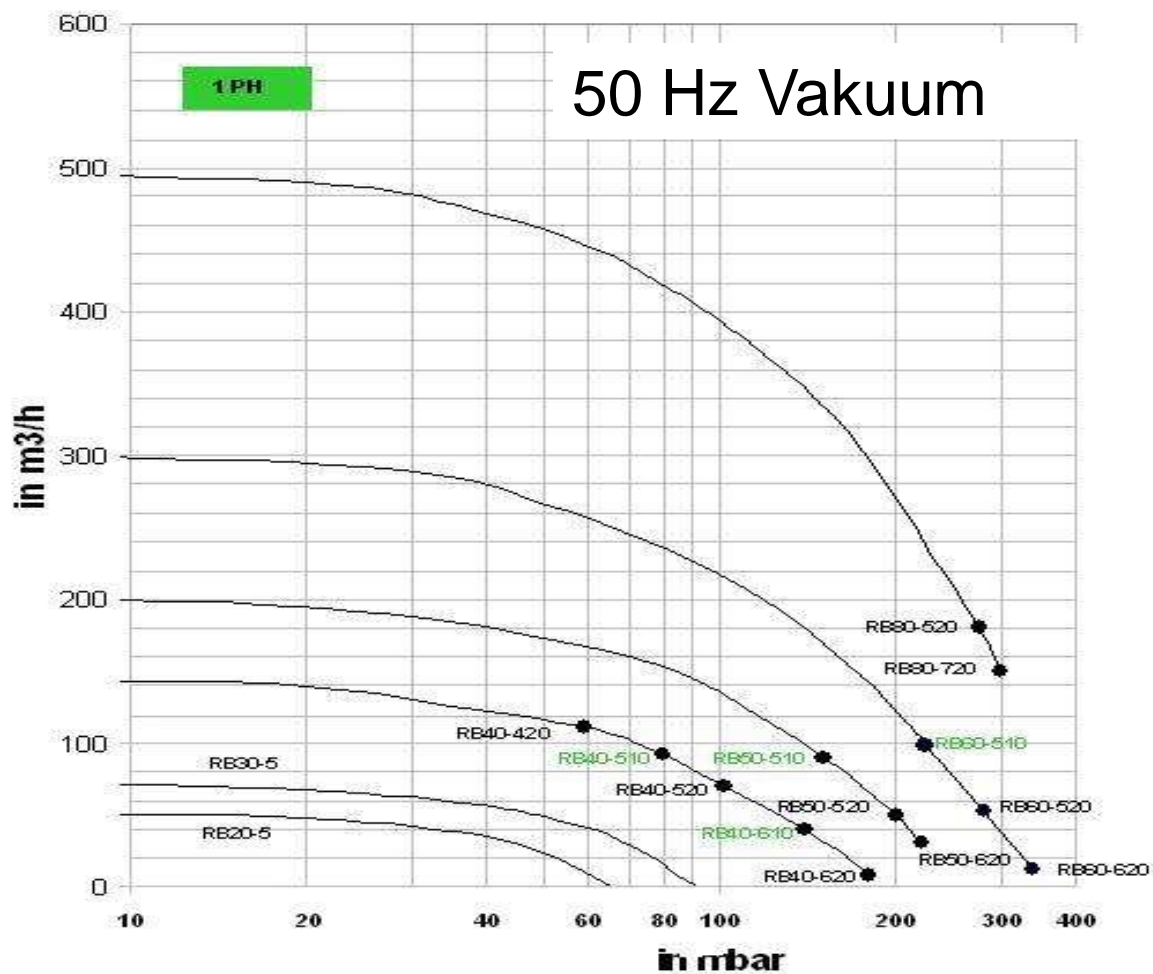
Eigenschaften	Anwendungen
- Materialgarantie von 24 Monaten	- Mischen
- Standards CE / UL / CSA	- Wasseraufbereitung
	- Gewaesserbelueftung
- Fast Wartungsfrei	- Industrial Vakuumeinheiten
	- Gas Analyse
	- Balneotherapie / Spa / Schwimmbaeder
Kein pulsierender Volumenstrom	- Papier- und Karton Verpackungen / "Falten"
	- Textile Maschinen
- Sehr Leise Betriebsbedingungen	- Allgm. Verpackungen
	- Vakuumhalten
- Elektrische Weitbereichsmotoren IP54; Frequenzbereich 50 & 60 Hz	- Trocknung
	- Pneumatisches foerdern
- Kompaktes Design	

Serie	Model	max Volumenstrom (Nm <sup>3</sup> /h)	max Druck (mbar)	max Vakuum (mbar)	Volt	Phase	Hz	Leistung (kW)	Gewicht (kg)
RB20	RB20-510	58	65	60	100-120 V / 200-240 V	1 Ph	50Hz / 60HZ	0.22 kW	10
	RB20-520	58	65	60	200-240 V / 380-440 V	3 Ph	50Hz / 60HZ	0.22 kW	10
RB30	RB30-510	75	100	95	100-120 V / 200-240 V	1 Ph	50Hz / 60HZ	0.38 kW	13
	RB30-520	75	100	95	200-240 V / 380-440 V	3 Ph	50Hz / 60HZ	0.38 kW	13
RB40	RB40-510	144	160	150	100-120 V / 200-240 V	1 Ph	50Hz / 60HZ	0.8 kW	16
	RB40-610	144	190	170	100-120 V / 200-240 V	1 Ph	50Hz / 60HZ	1.1 kW	18.2
	RB40-420	144	140	140	200-240 V / 380-440 V	3 Ph	50Hz / 60HZ	0.76 kW	15.5
	RB40-520	144	180	170	200-240 V / 380-440 V	3 Ph	50Hz / 60HZ	0.9 kW	16
	RB40-620	144	200	180	200-240 V / 380-440 V	3 Ph	50Hz / 60HZ	1.1 kW	18.2
RB50	RB50-510	210	200	185	100-120 V / 200-240 V	1 Ph	50Hz / 60HZ	1.5 kW	23.5
	RB50-520	210	220	210	200-240 V / 380-440 V	3 Ph	50Hz / 60HZ	1.5 kW	23.5
	RB50-620	210	270	220	200-240 V / 380-440 V	3 Ph	50Hz / 60HZ	2.2 kW	26
RB60	RB60-520	306	220	230	200-240 V / 380-440 V	3 Ph	50Hz / 60HZ	2.2 kW	36
	RB60-620	306	280	250	200-240 V / 380-440 V	3 Ph	50Hz / 60HZ	3 kW	37.3
	RB60-720	306	340	270	200-240 V / 380-440 V	3 Ph	50Hz / 60HZ	4 kW	41.5
RB80	RB80-520	500	310	270	200-240 V / 380-440 V	3 Ph	50Hz / 60HZ	5.5 kW	
	RB80-620	500	400	300	200-240 V / 380-440 V	3 Ph	50Hz / 60HZ	7.5 kW	

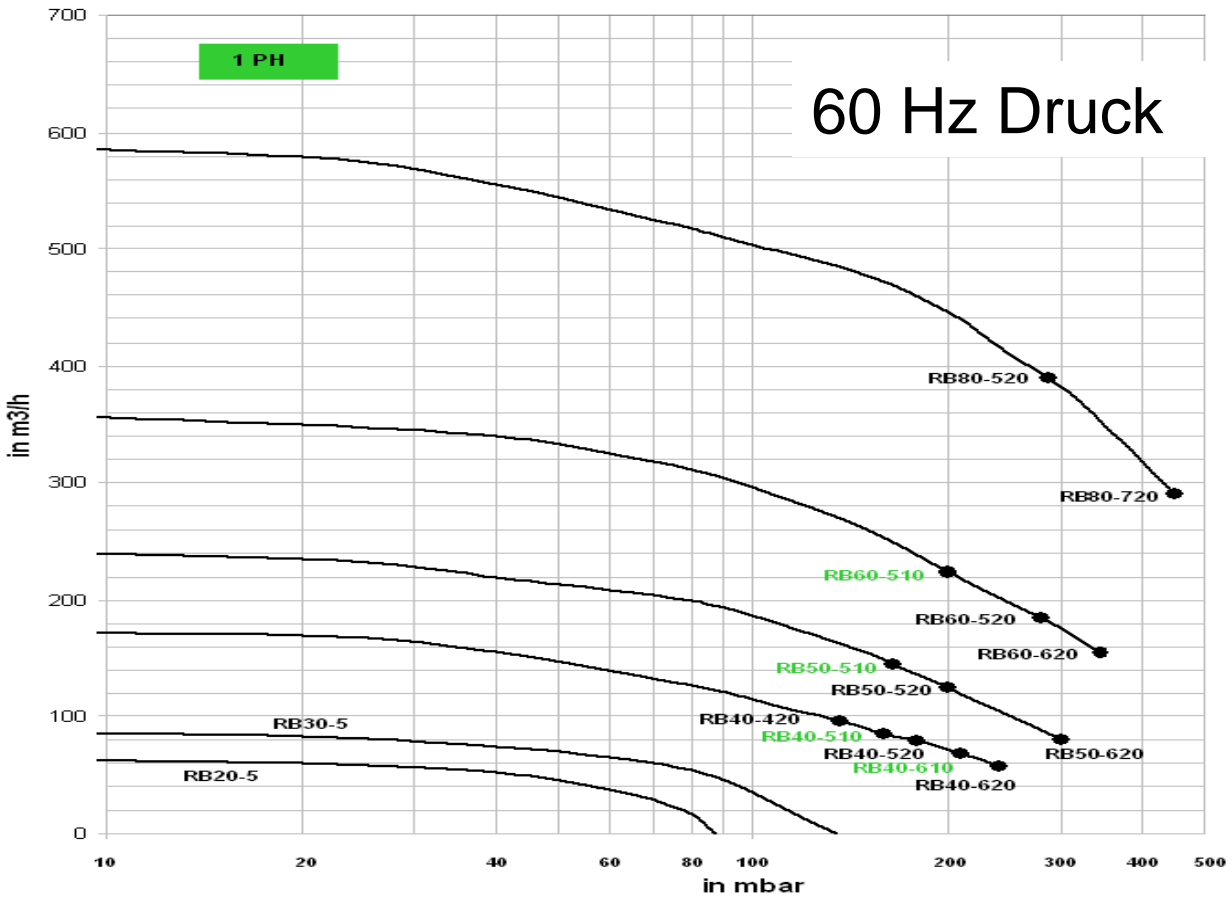
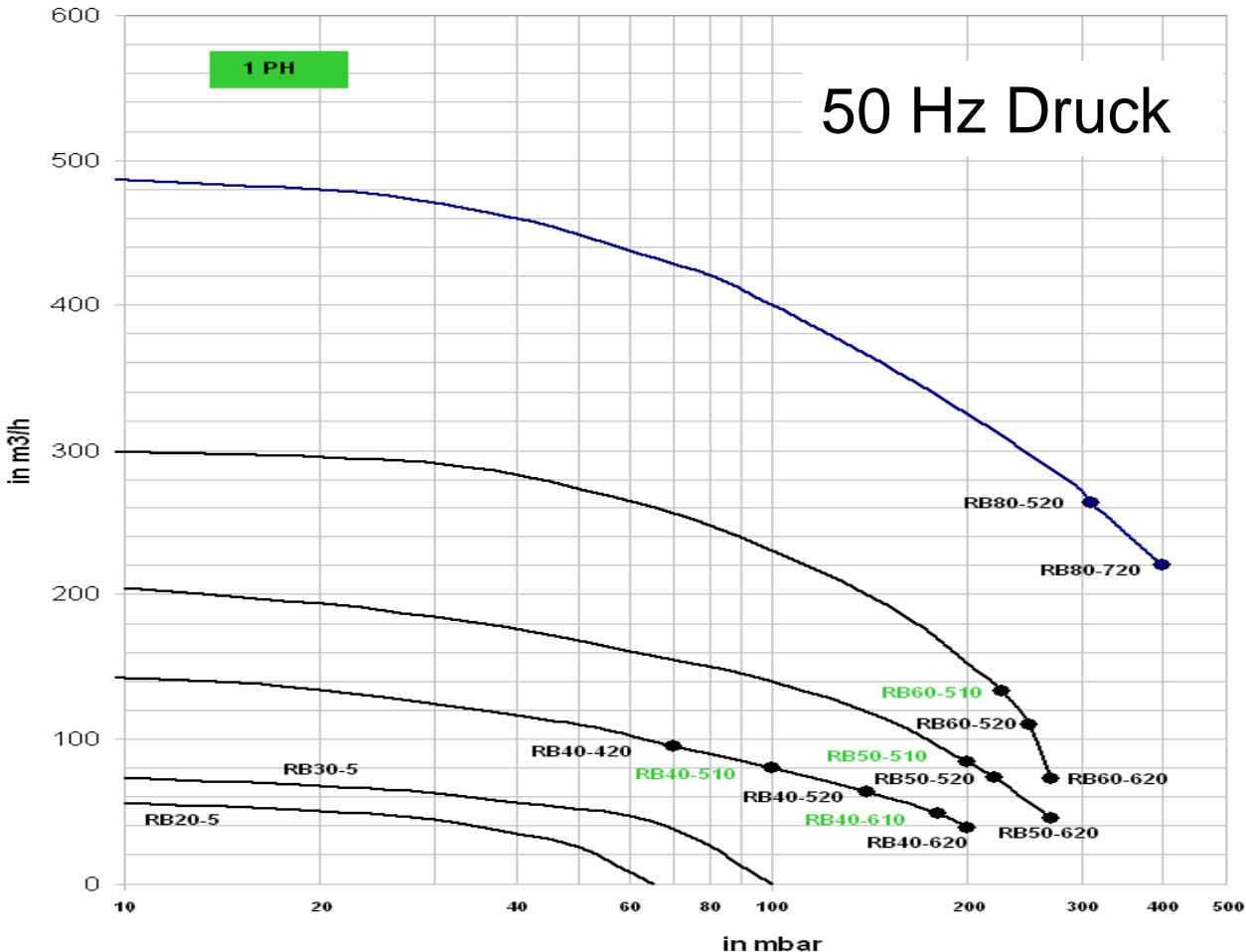
\*) gemessen in 1m Entfernung vom Geblase

Angaben fuer 50 Hz Maschine 60 Hz auf Anfrage

# Seitenkanalverdichter fuer Vakuum und Druck

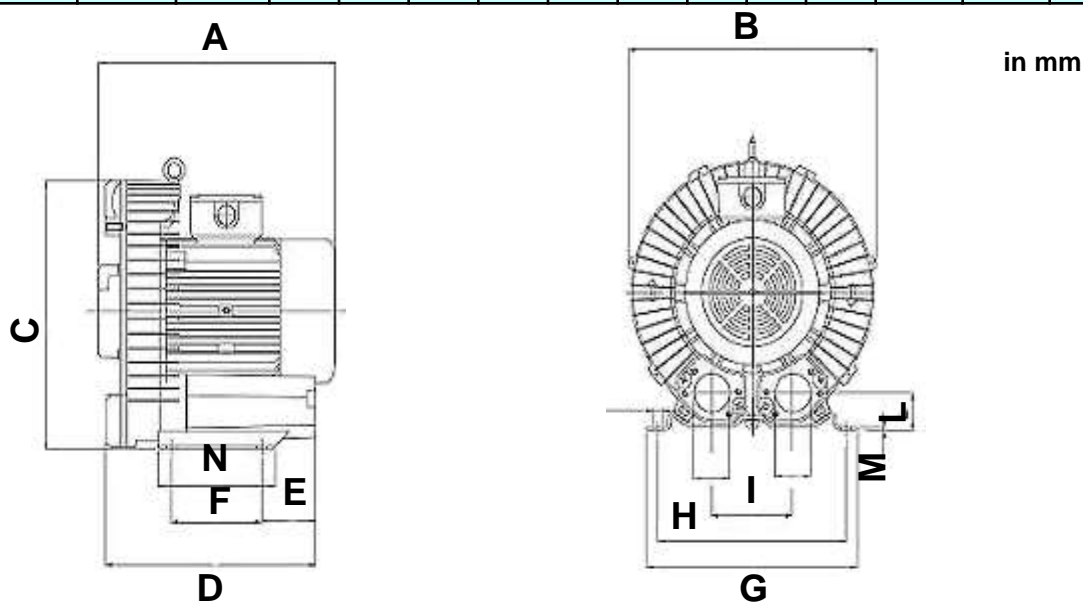


# Seitenkanalverdichter fuer Vakuum und Druck



# Seitenkanalverdichter fuer Vakuum und Druck

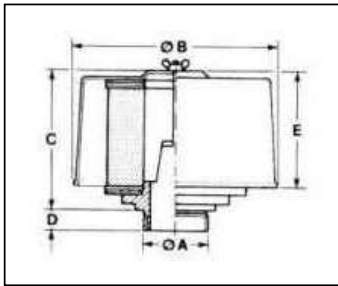
Model	A	B	C	D	E	F	G	H	I	L	M	N	Ø 1	Ø 2	net kg
RB 20-510	255	228	238	218	87	76	212	190	90	34	12	100	1"	1"	10
RB 20-520	255	228	238	218	87	76	212	190	90	34	12	100	1"	1"	10
RB 30-510	256	250	257	262	117	83	230	205	100	38	12	110	1" 1/4	1" 1/2	13
RB 30-520	256	250	257	262	117	83	230	205	100	38	12	110	1" 1/4	1" 1/2	13
RB 40-510	262	286	303	238	68	95	255	225	115	46	3	130	1" 1/2	1" 1/2	16
RB 40-610	281	286	303	238	68	95	255	225	115	46	3	130	1" 1/2	1" 1/2	18,2
RB 40-420	261	286	303	238	68	95	255	225	115	46	3	130	1" 1/2	1" 1/2	15,5
RB 40-520	262	286	303	238	68	95	255	225	115	46	3	130	1" 1/2	1" 1/2	16
RB 40-620	281	286	303	238	68	95	255	225	115	46	3	130	1" 1/2	1" 1/2	18,2
RB 50-510	317	33	345	342	143	115	296	260	120	48	4	155	2"	2"	23,5
RB 50-520	317	33	345	342	143	115	296	260	120	48	4	155	2"	2"	23,5
RB 50-620	317	33	345	341	143	115	296	260	120	48	4	155	2"	2"	26
RB 60-520	364	382	383	379	129	140	325	390	125	53	5	180	2"	2"	36
RB 60-620	364	382	383	379	129	140	325	390	125	53	5	180	2"	2"	37,3
RB 60-720	364	382	383	379	129	140	325	390	125	53	5	180	2"	2"	41,5
RB 80520	479	466	498	477	179	277	420	365	145	81	24	316	2" 1/2	2" 1/2	120
RB 80620	479	466	498	477	179	277	420	365	145	81	24	316	2" 1/2	2" 1/2	123



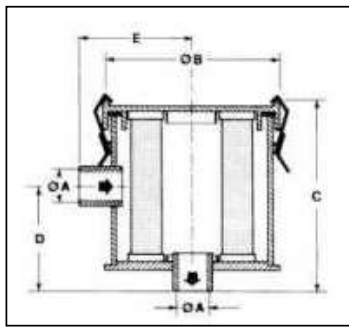
Modell	Package Unit per blower	Dimension (cm) approx	Gross Weight in kg	Units per Pallet	Dimension (cm) approx	Gross Weight in kg
RB 20-	1 pc Wooden case	40 x 37 x 39	20	60	113 x 95 x 160	750
RB 30-	1 pc Wooden case	47 x 46 x 46	25	36	116 x 113 x 157	570
RB 40-	1 pc Wooden case	48 x 47 x 49	30	24	76 x 110 x 156	470
RB 50-	1 pc Wooden case	54 x 51 x 52	40	24	92 x 127 x 185	720
RB 60-	1 pc carton		49	18	96 x 144 x 168	806
RB 80-	1 pc Wooden case	80 x 62 x 70	125			

**Dimension**

# Seitenkanalverdichter fuer Vakuum und Druck



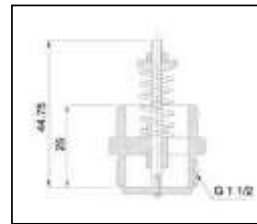
Inlet-Filter for Blowers								
Type	Machine	øA	øB	C	D	E	Wt. Kg	Cartridge
F4	RB20-	1"	97	90	12	98	0.3	C4
F5	RB30-	1" 1/4	152	105	15	86	0.4	C5
F6	RB40-	1" 1/2	152	105	15	86	0.4	C6
F7	RB50-/60-	2"	192	162	18	145	0.9	C7



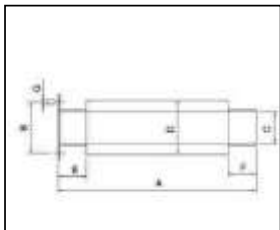
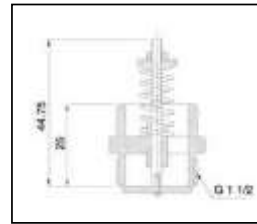
In-line Filter for Suction								
Type	Machine	øA	øB	C	D	E	Wt. Kg	Element
IF4	RB20-	1"	133	102	53	78	1	FE4A
IF5	RB30-	1" 1/4	170	158	93	96	1.8	FE5A
IF6	RB40-	1" 1/2	170	188	124	100	2.1	FE6A
IF7	RB50-/60-	2"	200	258	124	114	3.8	FE7A



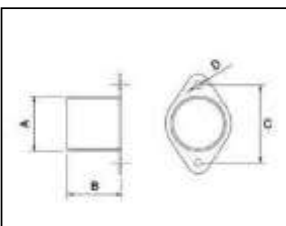
Pressure relief valve for blowers		
Type	Machine	Wt. Kg
FR1	For RB40 / RB50 / RB60	0.4



Vacuum relief valve for suction		
Type	Machine	Wt. Kg
VR1	For RB40 / RB50 / RB60	0.4



Additional Silencer								
Type	Machine	A	B	C	D	E	G	Wt. Kg
AS1	RB20-/30-	260	55-64	38	60	40	6.5	0.85
AS2	RB40-	280	72	50	76	40	6.5	1.01
AS3	RB50-/60-	280	82.5	60	89	40	9	1.4

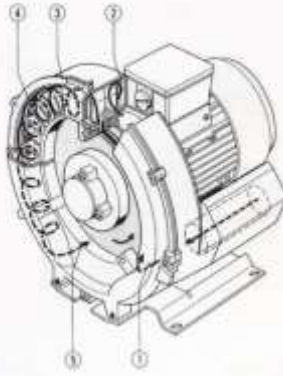


Hose Flange						
Type	Machine	A	B	C	D	Wt. Kg
HF1	RB20-/30-	38.1	50	55-64	6.5	0.2
HF2	RB40-	50.8	50	72	6.5	0.2
HF3	RB50-/60-	60	50	82.5	9	0.2

**Zubehör**

# Side Channel Blowers for Vacuum and Pressure

- 1) Gas enters the inlet port and is picked up by the blades of the impeller
- 2) The unique, highly efficient design of the impeller accelerates and pushes the air/gas into the side channel
- 3) In the side channel, this velocity is converted into pressure/vacuum and forced back towards the impeller.
- 4) The spiral path continues until the air/gas exists the discharge port.
- 5) The regenerative process results in a high pressure differentials.



Characteristics	Applications Types
- Material warranty 24 month	- Agitation
	- Watertreatment
- Standards CE / UL / CSA	- Pond Aeration
	- Industrial Vacuumunits
- Maintenance Free	- Gas Analysis
	- Balneotherapie / Spa
- Non pulsating air flow	- Paper and carton box packaging/ folding
	- Textile Machinery
- Silent operation	- Packaging
	- Vacuum holding
- Electrical motors IP54; World frequency motors	- Drying
	- Pneumatic Conveying
- Small compact design	

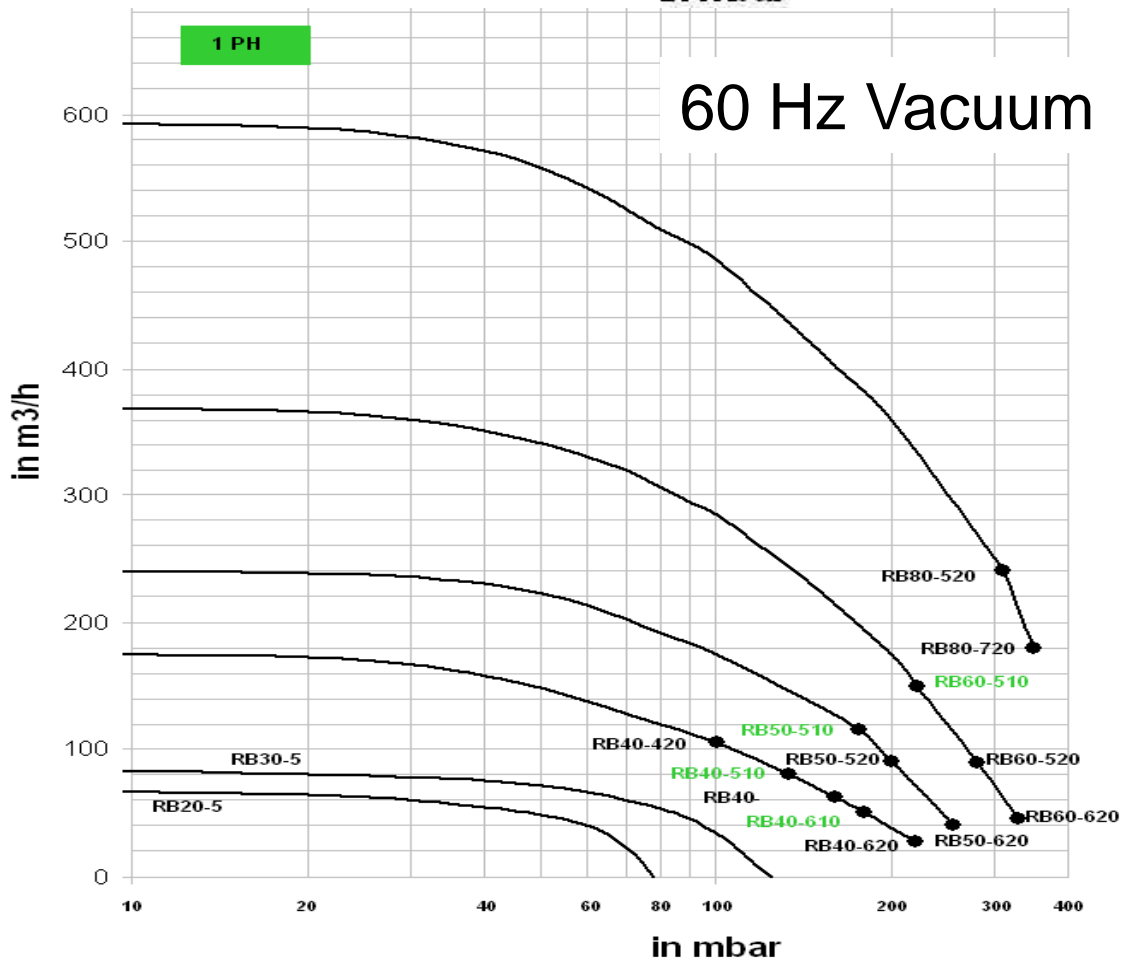
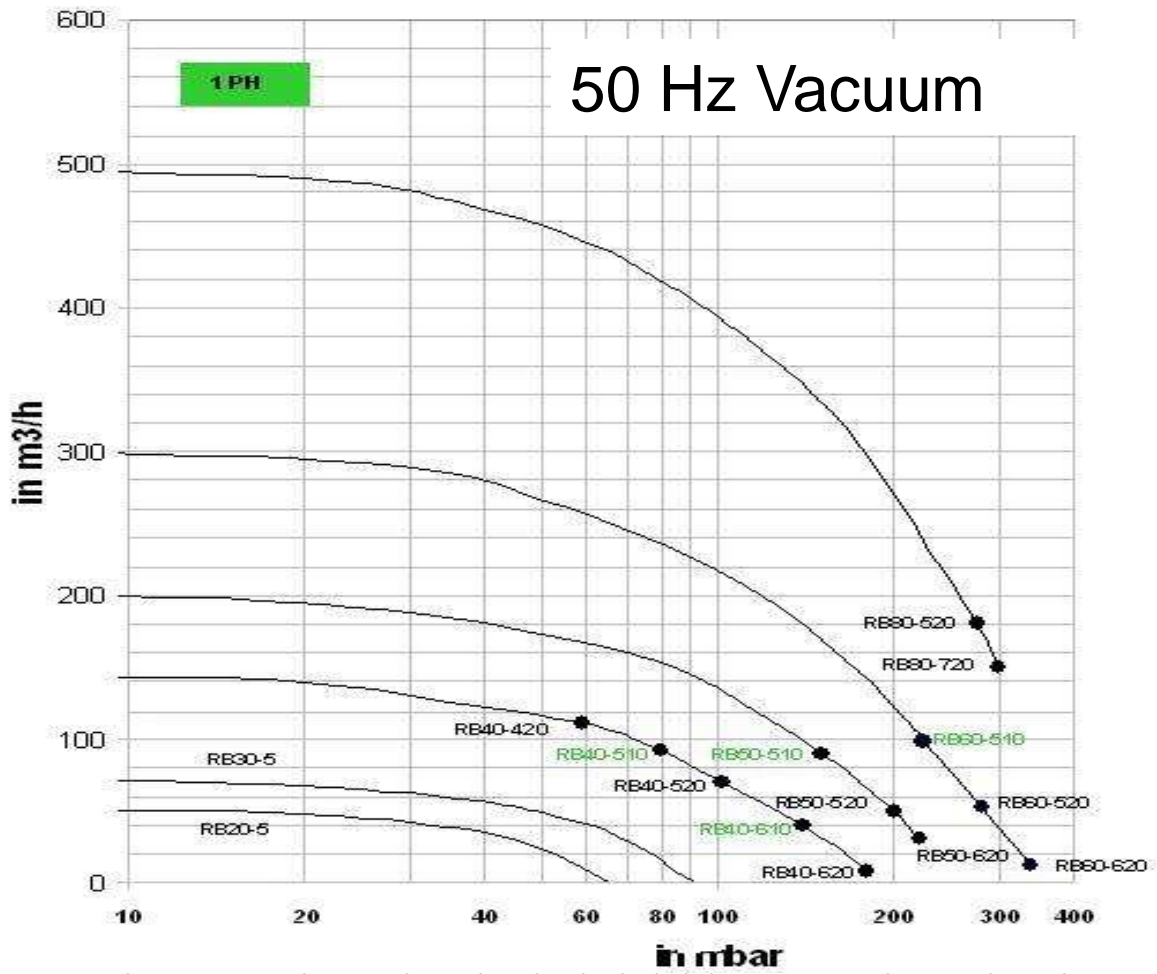
Series	Modell	max open Flow (Nm <sup>3</sup> /h)	max pressure (mbar)	max vacuum (mbar)	Voltage	Phase	Hz	Power (kW)	Weight (kg)
RB20	RB20-510	58	65	60	100-120 V / 200-240 V	1 Ph	50Hz / 60HZ	0.22 kW	10
	RB20-520	58	65	60	200-240 V / 380-440 V	3 Ph	50Hz / 60HZ	0.22 kW	10
RB30	RB30-510	75	100	95	100-120 V / 200-240 V	1 Ph	50Hz / 60HZ	0.38 kW	13
	RB30-520	75	100	95	200-240 V / 380-440 V	3 Ph	50Hz / 60HZ	0.38 kW	13
RB40	RB40-510	144	160	150	100-120 V / 200-240 V	1 Ph	50Hz / 60HZ	0.8 kW	16
	RB40-610	144	190	170	100-120 V / 200-240 V	1 Ph	50Hz / 60HZ	1.1 kW	18.2
	RB40-420	144	140	140	200-240 V / 380-440 V	3 Ph	50Hz / 60HZ	0.76 kW	15.5
	RB40-520	144	180	170	200-240 V / 380-440 V	3 Ph	50Hz / 60HZ	0.9 kW	16
	RB40-620	144	200	180	200-240 V / 380-440 V	3 Ph	50Hz / 60HZ	1.1 kW	18.2
RB50	RB50-510	210	200	185	100-120 V / 200-240 V	1 Ph	50Hz / 60HZ	1.5 kW	23.5
	RB50-520	210	220	210	200-240 V / 380-440 V	3 Ph	50Hz / 60HZ	1.5 kW	23.5
	RB50-620	210	270	220	200-240 V / 380-440 V	3 Ph	50Hz / 60HZ	2.2 kW	26
RB60	RB60-520	306	220	230	200-240 V / 380-440 V	3 Ph	50Hz / 60HZ	2.2 kW	36
	RB60-620	306	280	250	200-240 V / 380-440 V	3 Ph	50Hz / 60HZ	3 kW	37.3
	RB60-720	306	340	270	200-240 V / 380-440 V	3 Ph	50Hz / 60HZ	4 kW	41.5
RB80	RB80-520	500	310	270	200-240 V / 380-440 V	3 Ph	50Hz / 60HZ	5.5 kW	
	RB80-620	500	400	300	200-240 V / 380-440 V	3 Ph	50Hz / 60HZ	7.5 kW	

measured 1m away from unit

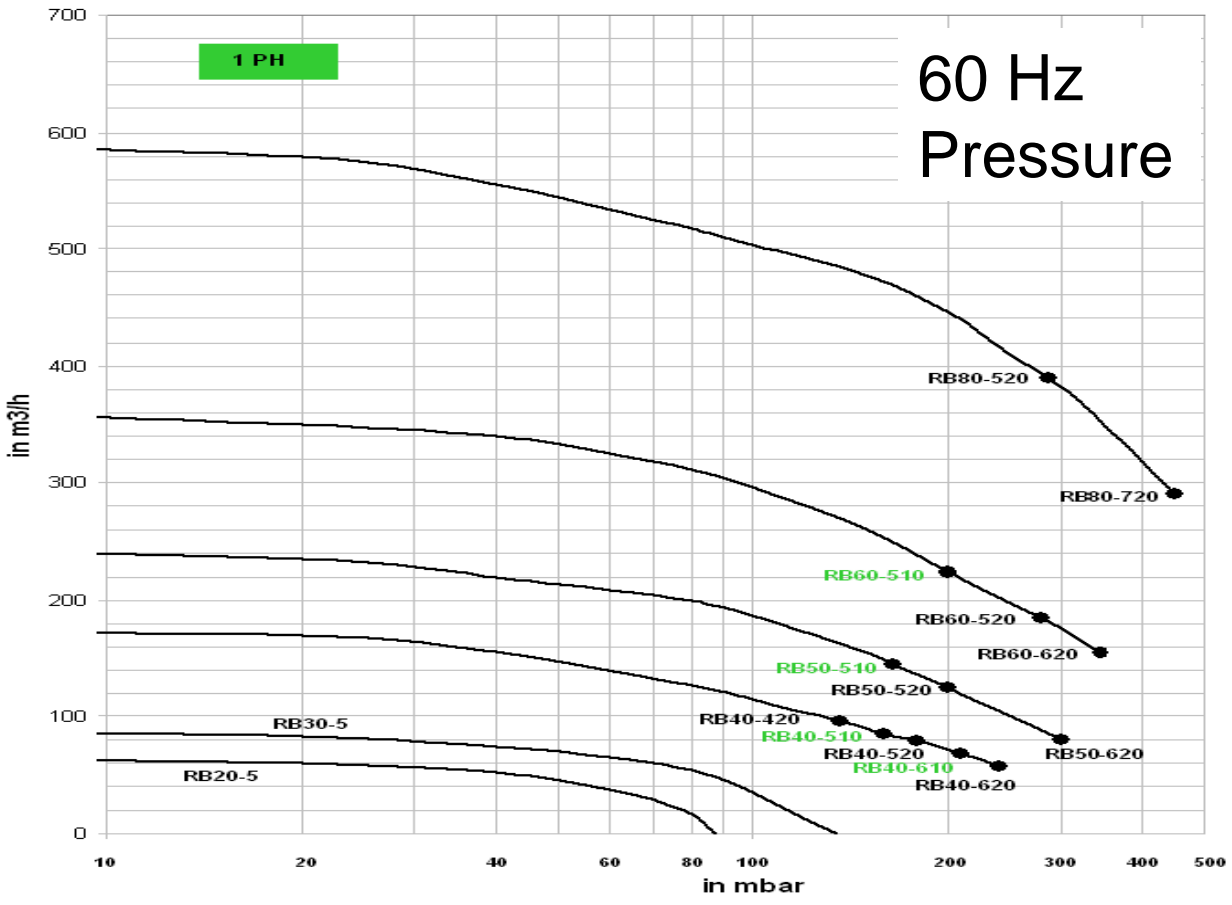
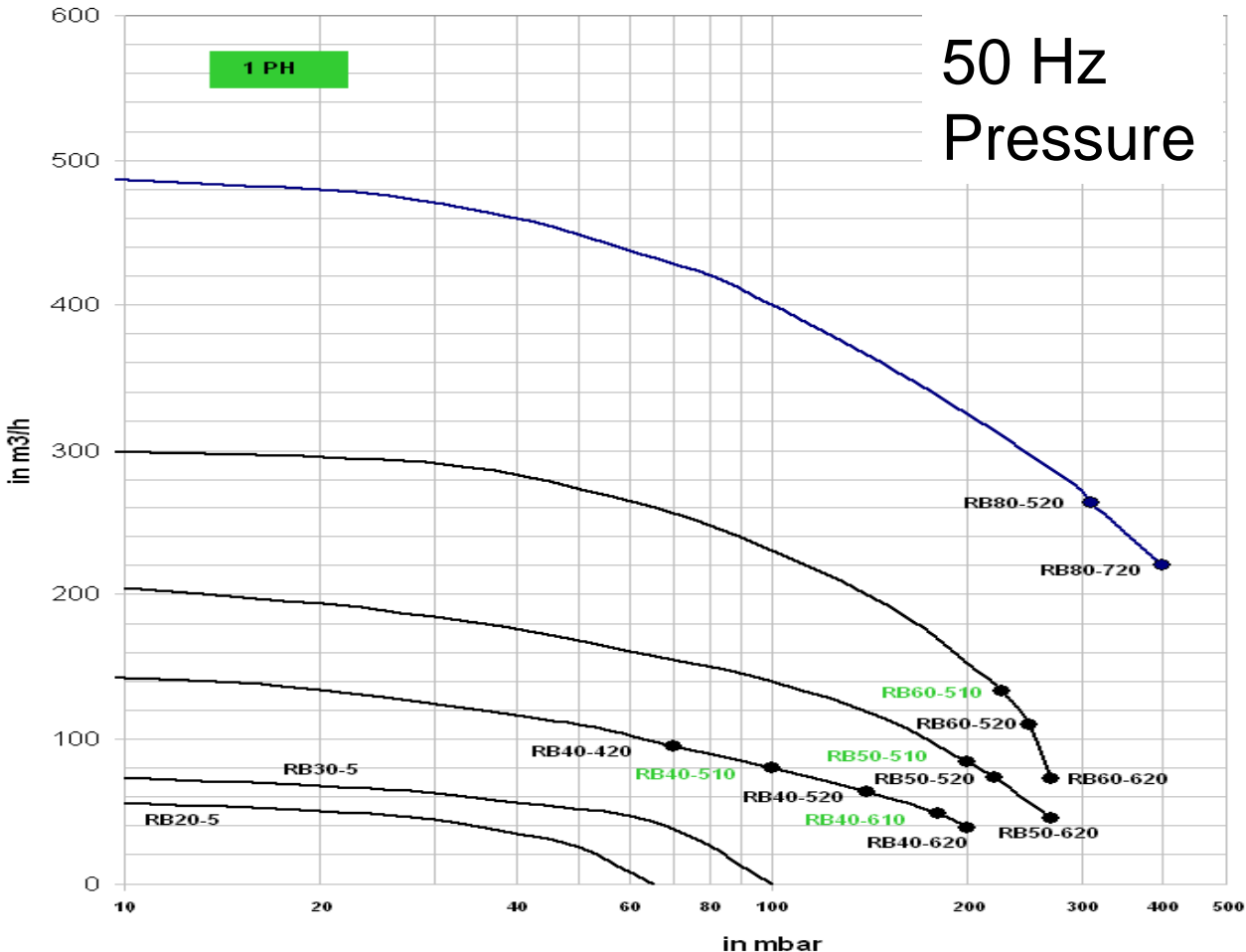
All above data at 50 Hz only for 60 Hz please inquire



# Side Channel Blowers for Vacuum and Pressure

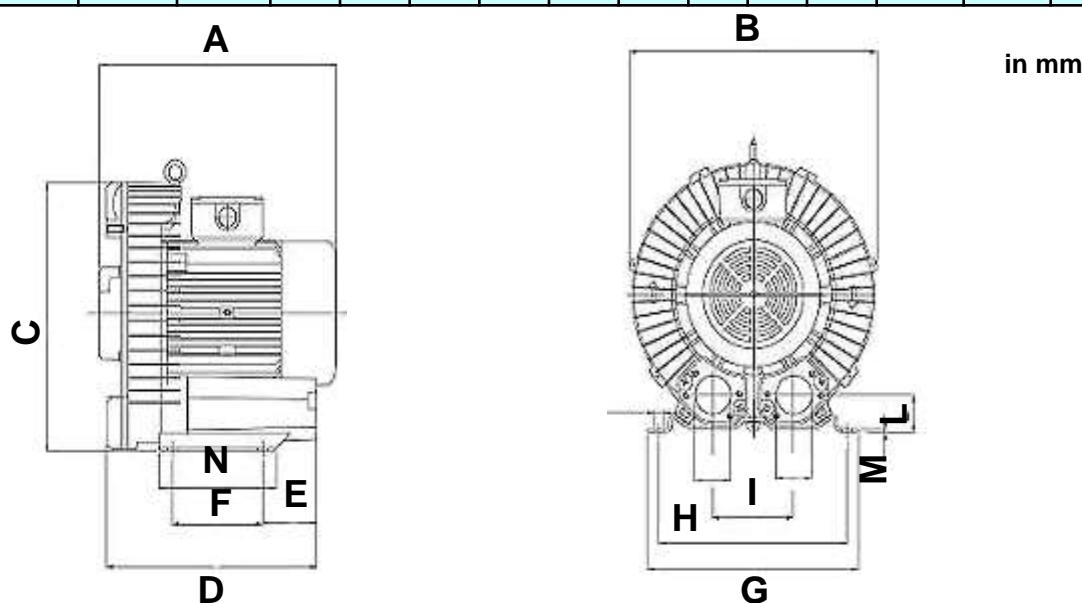


# Side Channel Blowers for Vacuum and Pressure



# Side Channel Blowers for Vacuum and Pressure

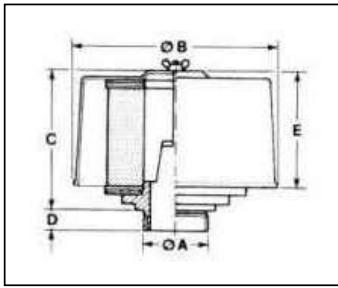
Model	A	B	C	D	E	F	G	H	I	L	M	N	Ø 1	Ø 2	net kg
RB 20-510	255	228	238	218	87	76	212	190	90	34	12	100	1"	1"	10
RB 20-520	255	228	238	218	87	76	212	190	90	34	12	100	1"	1"	10
RB 30-510	256	250	257	262	117	83	230	205	100	38	12	110	1" 1/4	1" 1/2	13
RB 30-520	256	250	257	262	117	83	230	205	100	38	12	110	1" 1/4	1" 1/2	13
RB 40-510	262	286	303	238	68	95	255	225	115	46	3	130	1" 1/2	1" 1/2	16
RB 40-610	281	286	303	238	68	95	255	225	115	46	3	130	1" 1/2	1" 1/2	18,2
RB 40-420	261	286	303	238	68	95	255	225	115	46	3	130	1" 1/2	1" 1/2	15,5
RB 40-520	262	286	303	238	68	95	255	225	115	46	3	130	1" 1/2	1" 1/2	16
RB 40-620	281	286	303	238	68	95	255	225	115	46	3	130	1" 1/2	1" 1/2	18,2
RB 50-510	317	33	345	342	143	115	296	260	120	48	4	155	2"	2"	23,5
RB 50-520	317	33	345	342	143	115	296	260	120	48	4	155	2"	2"	23,5
RB 50-620	317	33	345	341	143	115	296	260	120	48	4	155	2"	2"	26
RB 60-520	364	382	383	379	129	140	325	390	125	53	5	180	2"	2"	36
RB 60-620	364	382	383	379	129	140	325	390	125	53	5	180	2"	2"	37,3
RB 60-720	364	382	383	379	129	140	325	390	125	53	5	180	2"	2"	41,5
RB 80520	479	466	498	477	179	277	420	365	145	81	24	316	2" 1/2	2" 1/2	120
RB 80620	479	466	498	477	179	277	420	365	145	81	24	316	2" 1/2	2" 1/2	123



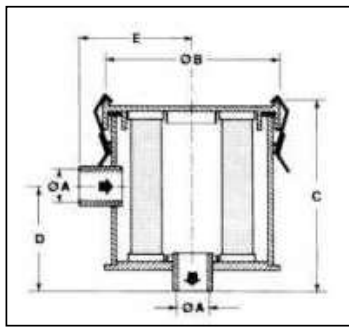
Modell	Package Unit per blower	Dimension (cm) approx	Gross Weight in kg	Units per Pallet	Dimension (cm) approx	Gross Weight in kg
RB 20-	1 pc Wooden case	40 x 37 x 39	20	60	113 x 95 x 160	750
RB 30-	1 pc Wooden case	47 x 46 x 46	25	36	116 x 113 x 157	570
RB 40-	1 pc Wooden case	48 x 47 x 49	30	24	76 x 110 x 156	470
RB 50-	1 pc Wooden case	54 x 51 x 52	40	24	92 x 127 x 185	720
RB 60-	1 pc carton		49	18	96 x 144 x 168	806
RB 80-	1 pc Wooden case	80 x 62 x 70	125			

**Dimension**

# Side Channel Blowers for Vacuum and Pressure



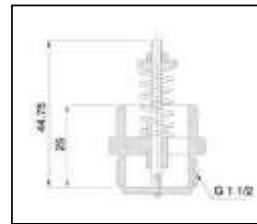
Inlet-Filter for Blowers								
Type	Machine	$\phi A$	$\phi B$	C	D	E	Wt. Kg	Cartridge
F4	RB20-	1"	97	90	12	98	0.3	C4
F5	RB30-	1" 1/4	152	105	15	86	0.4	C5
F6	RB40-	1" 1/2	152	105	15	86	0.4	C6
F7	RB50-/60-	2"	192	162	18	145	0.9	C7



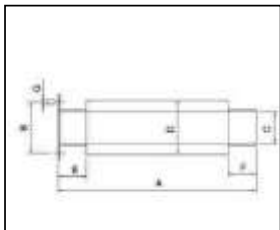
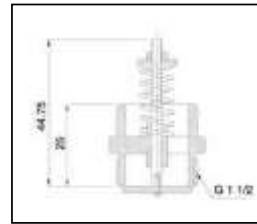
In-line Filter for Suction								
Type	Machine	$\phi A$	$\phi B$	C	D	E	Wt. Kg	Element
IF4	RB20-	1"	133	102	53	78	1	FE4A
IF5	RB30-	1" 1/4	170	158	93	96	1.8	FE5A
IF6	RB40-	1" 1/2	170	188	124	100	2.1	FE6A
IF7	RB50-/60-	2"	200	258	124	114	3.8	FE7A



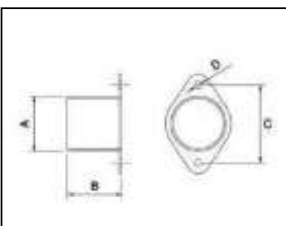
Pressure relief valve for blowers		
Type	Machine	Wt. Kg
FR1	For RB40 / RB50 / RB60	0.4



Vacuum relief valve for suction		
Type	Machine	Wt. Kg
VR1	For RB40 / RB50 / RB60	0.4



Additional Silencer								
Type	Machine	A	B	C	D	E	G	Wt. Kg
AS1	RB20-/30-	260	55-64	38	60	40	6.5	0.85
AS2	RB40-	280	72	50	76	40	6.5	1.01
AS3	RB50-/60-	280	82.5	60	89	40	9	1.4



Hose Flange						
Type	Machine	A	B	C	D	Wt. Kg
HF1	RB20-/30-	38.1	50	55-64	6.5	0.2
HF2	RB40-	50.8	50	72	6.5	0.2
HF3	RB50-/60-	60	50	82.5	9	0.2

## Accessories



**European *T*echnical *C*enter  
for Engineering & Distribution GmbH**

Am Gruendl 38  
91093 Hessdorf  
Germany  
[www.etc-distribution.com](http://www.etc-distribution.com)

Tel: +49 (0)9135 72 17 200  
Fax: +49 (0)9135 72 17 202  
Mobil: +49 (0) 172 85 64 944  
[mgottesbueren@etc-distribution.com](mailto:mgottesbueren@etc-distribution.com)