



ENAPART



93 S Railroad Avenue Unit C
Bergenfield NJ 07621 USA
www.enapart.com
sales@enapart.com



Via del Canneto 35,
Borgosatollo, Brescia - Italia
www.enapart.it
vendite@enapart.it



Barbaros Mah. Ihlamur Bul. Aĝaoĝlu
My Newwork No:3/15 Ataşehir / İstanbul
www.enapart.net
satis@enapart.net



PRIVADA 10 B SUR #3908 COL.
ANZUREZ, C.P. 72530, PUEBLA, PUE
www.enapart.com.mx
sales@enapart.com.mx



Friedrich-Ebert-Anlage 36, 60325
Frankfurt am Main, Germany
www.enapart.de
anfrage@enapart.de



4 boulevard Carnot, 95400
villiers-le-bel, Paris, France
www.enapart.fr
sales@enapart.fr



65049, ОДЕСА, ВУЛИЦЯ ІВАНА
ФРАНКА, БУДИНОК 55, ПОВЕРХ 3
www.enapart.com.ua
sales@enapart.com.ua



MUNICIPIUL BUCUREȘTI, SECTOR 3,
B-DUL BASARABIA, NR.250, CORP P+5
www.enapart.ro
sales@enapart.ro



〒584-0023 大阪府富田林市若松町
東2丁目2番16号
www.enapart.co.jp
sales@enapart.co.jp



PLAZA NUESTRA SEÑORA DE LAS
NIEVES 12 ,LOCAL ,50012,ZARAGOZA
www.enapart.es
ventas@enapart.es

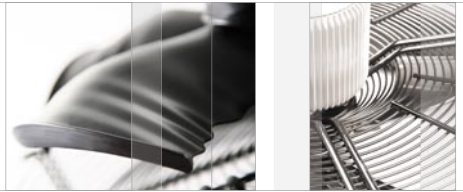


Складова база „Онĝл“, Склад А2, п.к.
4006, гр. Пловдив, България
www.enapart.bg
sales@enapart.bg



3 Austin Mews, High Street, Hemel
Hempstead, HP1 3AF , United Kingdom
www.enapart.co.uk
sales@enapart.co.uk

Hidria



Fans catalogue

General data

Motors for fans are thermally protected - F or B insulation class and with internal protection IP54, IP44 and IP56.

Maintenance free ball bearings, suitable for min ambient temperature of -30 °C are mounted (special ones for different conditions are available on request). Life time expectancy L10 for bearings is at least 40.000h and depends on ambient temperature and application conditions.

Air performance

Air performance of fans is measured according to ISO 5801-1997 with the fan measured on its sucking side. The results are valid for an air density of $\rho = 1,2\text{kg/m}^3$ at 20 °C. Under another conditions, values can be different.

Speed controllers

Under agreed conditions, fans are suitable for operating with speed controllers by voltage reduction (autotransformer, triac) or by voltage/frequency reduction (frequency converter).

If the speed control is applied, increased temperature-rise and noise may be expected and has to be reviewed in the final application. Also EMC requirements must be achieved in the final application and the manufacturer or user of control unit is responsible for it.

In order to assure the best performance of our fans controlled with PWM Frequency Converter, it is highly recommended to use the "Sine Wave Filter" on converter output with right settings of PWM Frequency Converter.

With right settings of controller parameters regarding "Torque characteristics" or "Voltage / Frequency characteristics" can be reduced electrical current at low RPM's, can be reduced heating of the motor at low RPM's and also saving energy.

If the shielded cable is to be used, both ends of cable shield must be grounded.

Using of ferrite ring at the ends of connection cable additionally reduce the current in ground conductor which reduce RF disturbances.

In the catalogue are our standard products.

Custom design and modifications are available on request.

Accessories as guard grills, wall plates, can be delivered assembled or separately.

Additional information: drawings, test reports, special data, approvals etc. is available on request.

We keep rights to make any dimensional and design changes due to our improvement process.



Axial Fans With Electronic Drives
page: 6 - 15



HEF Axial Fans
page: 16 - 43



Axial Fans With Plastic Blades
page: 44 - 53



Axial Fans
page: 54 - 107



Centrifugal Fans
page: 108 - 119



Accessories
page: 120 - 127

Typical features of the Hidria EC-motor fan

- High efficiency throughout the entire speed range.
- Speed setting via linear voltage input (0-10V) or PWM signal.
- Two analog inputs for easy closed loop control (PID regulator build-in).
- Both analog inputs can be used as digital inputs.
- Multifunction digital output (open collector) for tach-out, alarm signal or slave control. Tach-out signal can be 1, 2, 3, 4, 6 or 12 pulses per revolution.
- Analog input adjustment to fit customer's sensor.
- All adjustments can be made with a PC or can be factory preset.
- Low-noise operation across the entire speed range.
- Integrated EMC filter.

All features are available on request.

The standard version of an EC-motor fan has:

- One analog input (0-10V or PWM input).
- Sensor power supply 10VDC (max 30mA)
- Tach-out signal (OC) (default: 1 pulse per revolution)

Example of type key for Axial fans with EC motor

R09R-3530HS-ECM-4200

- R09** External rotor motor type
R Accessory type (E-without guard grill, R-with guard grill, P-with guard grill and wall plate)
35 Fan diameter x 10 (exact diameters are stated in drawings)
30H HEF blade angle
S Airflow direction (S-sucking, B-blowing)
EC Fan with EC motor
M Electrical connection (M-single phase; T-three phase)
42 Motor stack height
00 Combination of motor/electronics/software

Example of type key for Axial fans with Integrated Frequency Converter

R13R-6330HA-I6M-7057

- R13** External rotor motor type
R Accessory type (E-without guard grill, R-with guard grill, P-with guard grill and wall plate)
63 Fan diameter x 10 (exact diameters are stated in drawings)
30H HEF blade angle
S Airflow direction (S-sucking, B-blowing)
I Fan with Inverter drive
6 Number of poles
M Number of phases (M-single phase, T-three phase)
70 Motor stack height
57 Electrical design



Axial Fans With Electronic Drives



Diameter: 250 mm

R09_-2528_-ECM-2500

Fan with wall plate

Airflow

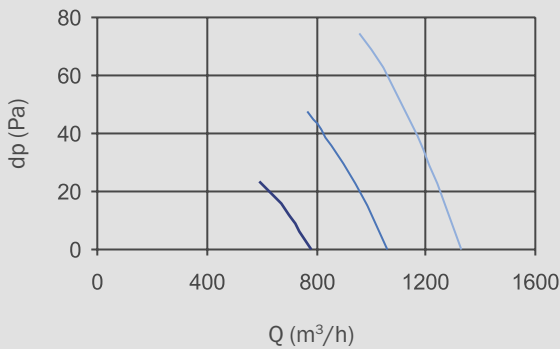
Direction Type:

- »S« R09P-2528S-ECM-2500
- »B« R09P-2528B-ECM-2500

Available on request

Aerodynamic characteristic:

- 1900min⁻¹ / Ua = 10V
- 1520min⁻¹ / Ua=8V
- 1140min⁻¹ / Ua=6V



Ua = Analog input voltage for speed control (0 - 10V)

Performance Data:

- 1~230V 50/60Hz
- P₁ = 70W
- n = 1900min⁻¹
- I = 0,60A
- T_R = -30 to +65 °C
- Connection: cable
- Overload Electronic Protection
- Ins.Cl. F
- IP44

Notes:

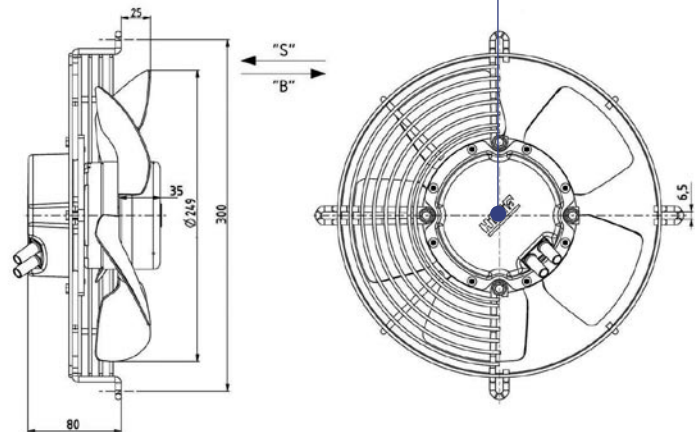
Fan characteristic measured in short bell mouth with guard grill

Fan with guard grill

Airflow

Direction Type:

- »S« R09R-2528S-ECM-2500
- »B« R09R-2528B-ECM-2500



Weight:
3,4 kg

Fan without guard grill

Airflow

Direction Type:

- »S« R09E-2528S-ECM-2500
- »B« R09E-2528B-ECM-2500

Available on request

Fan with wall plate**Airflow****Direction****Type:**

»S« R09P-3030HS-ECM-2500

»B« R09P-3030HB-ECM-2500

Available on request

R09_-3030H_-ECM-2500

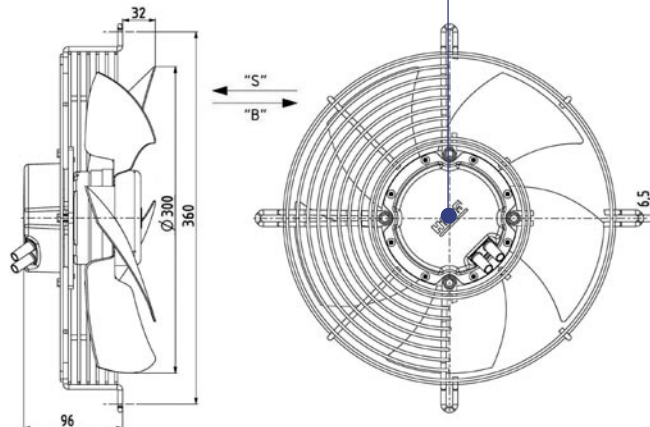
**Diameter:** 300 mm**Fan with guard grill****Airflow****Direction****Type:**

»S« R09R-3030HS-ECM-2500

»B« R09R-3030HB-ECM-2500

Code:

0309-4-2003

**Weight:**

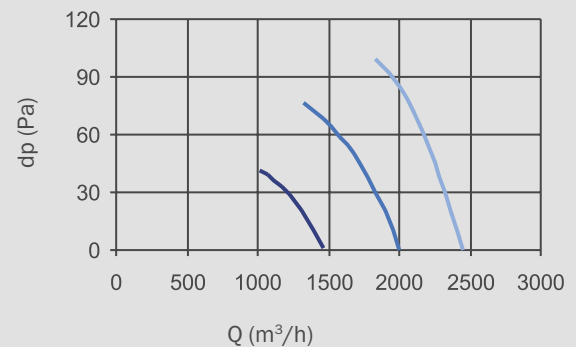
3,3 kg

Fan without guard grill**Airflow****Direction****Type:**

»S« R09E-3030HS-ECM-2500

»B« R09E-3030HB-ECM-2500

Available on request

Aerodynamic characteristic:1950min⁻¹ / U_a = 10V1560min⁻¹ / U_a = 8V1170min⁻¹ / U_a = 6VU_a = Analog input voltage for speed control (0 - 10V)**Performance Data:**

1~230V 50/60Hz

P₁ = 140Wn = 1950min⁻¹

I = 1,2A

t_R = -30 to +65 °CL_{wa} = 73dB(A) at 1950min⁻¹

Connection: cable

Overload Electronic Protection

Ins.Cl. F

IP44

Notes:

Fan characteristic measured in short bell mouth with guard grill



Diameter: 315 mm

R09_-3130H_-ECM-2500

Fan with wall plate

Airflow

Direction Type:

»S«

R09P-3130HS-ECM-2500

»B«

R09P-3130HB-ECM-2500

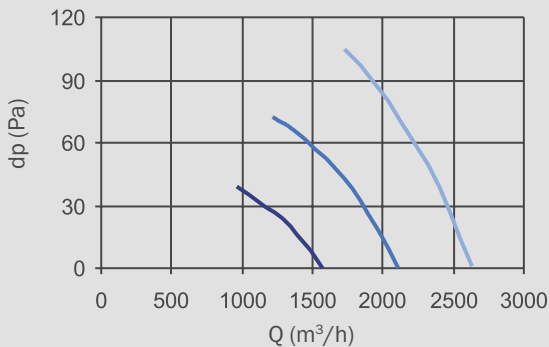
Available on request

Aerodynamic characteristic:

1650min⁻¹ at U_a = 10V

1320min⁻¹ at U_a = 8V

990min⁻¹ at U_a = 6V



U_a = Analog input voltage for speed control (0 - 10V)

Performance Data:

1~230V 50/60Hz

P₁ = 140W

n = 1670min⁻¹

I = 1,2A

t_r = -30 to +65 °C

L_{wa} = 73dB(A) at 1670 min⁻¹

Connection: cable

Overload Electronic Protection

Ins.Cl. F

IP44

Notes:

Fan characteristic measured in short bell mouth with guard grill

Fan with guard grill

Airflow

Direction Type:

»S«

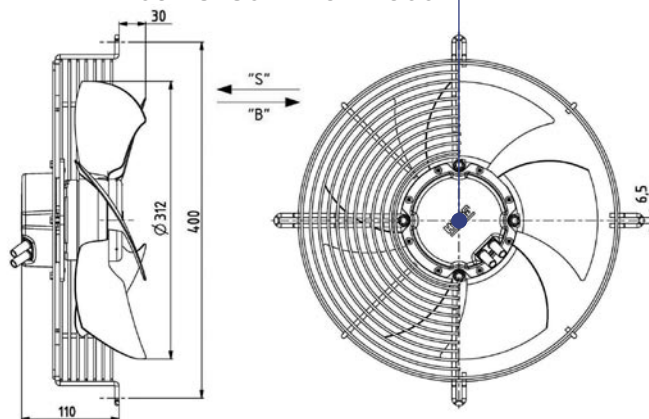
R09R-3130HS-ECM-2500

»B«

R09R-3130HB-ECM-2500

Code:

0309-4-2002



Weight:

3,3 kg

Fan without guard grill

Airflow

Direction Type:

»S«

R09E-3130HS-ECM-2500

»B«

R09E-3130HB-ECM-2500

Available on request

Fan with wall plate

Airflow

Direction

Type:

- »S« R09P-3330HS-ECM-2500
- »B« R09P-3330HB-ECM-2500

Available on request

R09_-3330HS-ECM-2500



Diameter: 330 mm

Fan with guard grill

Airflow

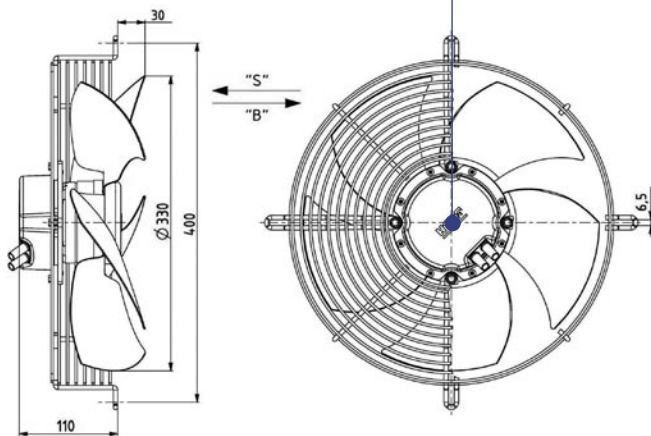
Direction

Type:

- »S« R09R-3330HS-ECM-2500
- »B« R09P-3330HB-ECM-2500

Code:

0309-4-2001



Weight:
3,5 kg

Fan without guard grill

Airflow

Direction

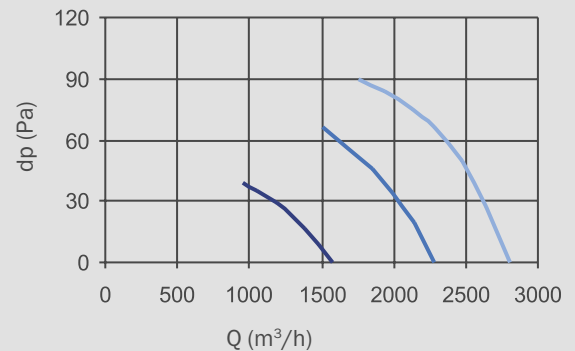
Type:

- »S« R09E-3330HS-ECM-2500
- »B« R09E-3330HB-ECM-2500

Available on request

Aerodynamic characteristic:

- 1550min⁻¹ / U_a = 10V
- 1240min⁻¹ / U_a = 8V
- 930min⁻¹ / U_a = 6V



U_a = Analog input voltage for speed control (0 - 10V)

Performance Data:

- 1~230V 50/60Hz
- P₁ = 140W
- n = 1550min⁻¹
- I = 1,2A
- t_R = -30 to +65 °C
- Lwa = 70dB(A) at 1550min⁻¹
- Connection: cable
- Overload Electronic Protection
- Ins.Cl. F
- IP44

Notes:

Fan characteristic measured in short bell mouth with guard grill



Diameter: 350 mm

R09_-3530HS-ECM-2500

Fan with wall plate

Airflow

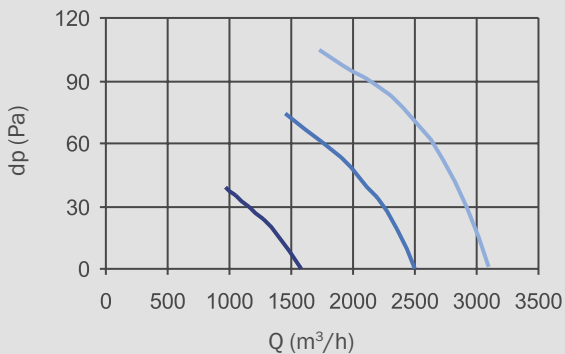
Direction Type:

- »S« R09P-3530HS-ECM-2500
- »B« R09P-3530HB-ECM-2500

Available on request

Aerodynamic characteristic:

- 1500min⁻¹ / Ua=10V
- 1200min⁻¹ / Ua=8V
- 900min⁻¹ / Ua = 6V



Ua = Analog input voltage for speed control (0 - 10V)

Performance Data:

- 1~230V 50/60Hz
- P₁ = 160W
- n = 1500min⁻¹
- I = 1,3A
- t_R = -30 to +65 °C
- Lwa = 72dB(A) at 1500 min⁻¹
- Connection: cable
- Overload Electronic Protection
- Ins.Cl. F
- IP44

Notes:

Fan characteristic measured in short bell mouth with guard grill

Fan with guard grill

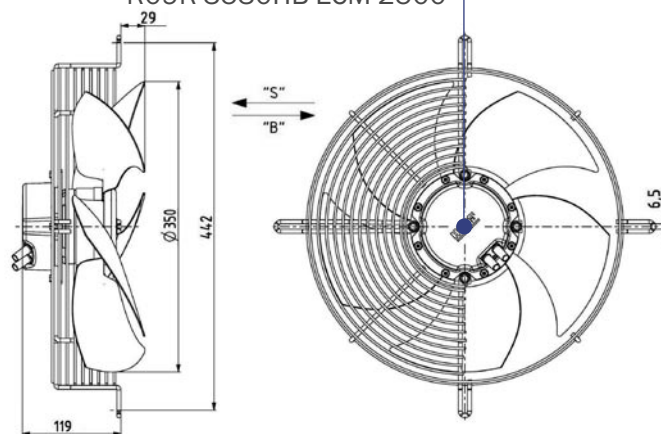
Airflow

Direction Type:

- »S« R09R-3530HS-ECM-2500
- »B« R09R-3530HB-ECM-2500

Code:

0309-4-2000



Weight:
3,6 kg

Fan without guard grill

Airflow

Direction Type:

- »S« R09E-3530HS-ECM-2500
- »B« R09E-3530HB-ECM-2500

Available on request

Weight:
XX kg

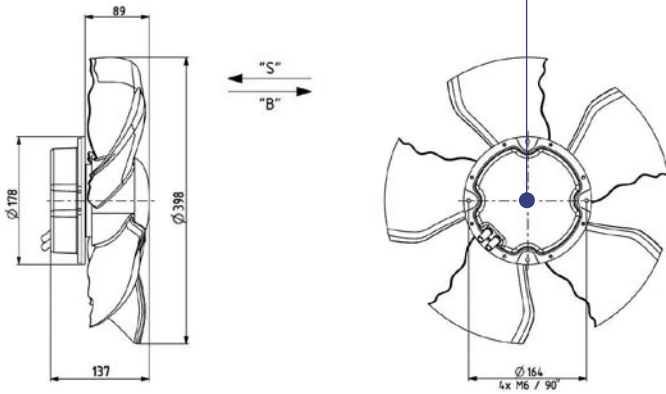
Fan with wall plate

Airflow

Direction

Type:

- »S« R11P-40SPS-ECM-3500
- »B« R11P-40SPB-ECM-3500



Weight:
3,4 kg

R11_-40SP_-ECM-3500



Diameter: 400 mm

Fan with guard grill

Airflow

Direction

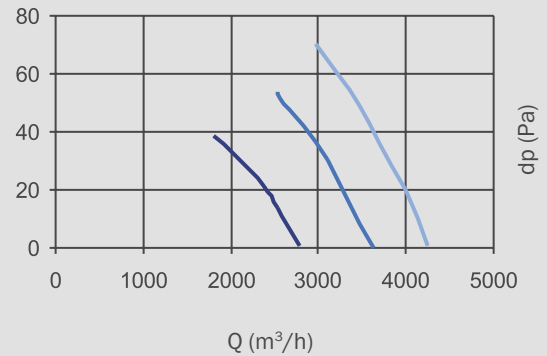
Type:

- »S« R11R-40SPS-ECM-3500
- »B« R11R-40SPB-ECM-3500

Available on request

Aerodynamic characteristic:

- 1300min⁻¹ / U_a=10V
- 1040min⁻¹ / U_a=8V
- 780min⁻¹ / U_a = 6V



U_a = Analog input voltage for speed control (0 - 10V)

Fan without guard grill

Airflow

Direction

Type:

- »S« R11E-40SPS-ECM-3500
- »B« R11E-40SPB-ECM-3500

Available on request

Performance Data:

- 1~230V 50/60Hz
- P₁ = 195W
- n = 1250min⁻¹
- I = 1,4A
- T_R = -30 to +65 °C
- Connection: cable
- Overload Electronic Protection
- Ins.Cl. F
- IP44

Notes:

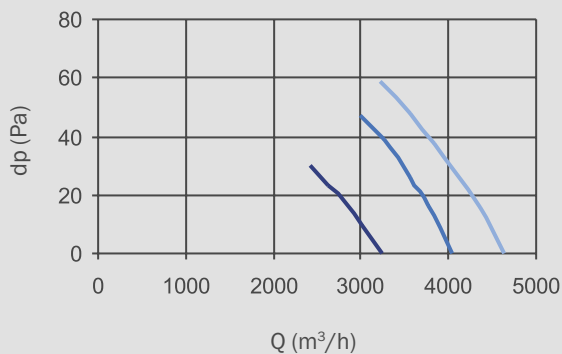
Fan characteristic measured in short bell mouth with guard grill



Diameter: 420 mm

Aerodynamic characteristic:

1200min⁻¹ / U_a=10V ———
 960min⁻¹ / U_a=8V ———
 720min⁻¹ / U_a = 6V ———



U_a = Analog input voltage for speed control (0 - 10V)

Performance Data:

1~230V 50/60Hz
 P₁ = 195W
 n = 1200min⁻¹
 I = 1,3A
 T_R = -30 to +65 °C
 Connection: cable
 Overload Electronic Protection
 Ins.Cl. F
 IP44

Notes:

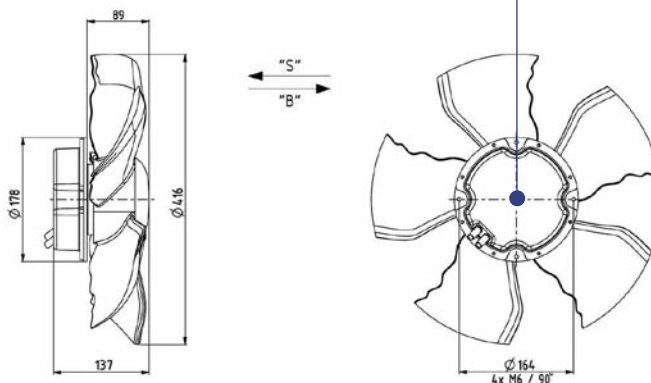
Fan characteristic measured in short bell mouth with guard grill

Fan with wall plate

Airflow

Direction Type:

»S« R11P-42SPS-ECM-3500
 »B« R11P-42SPB-ECM-3500



Weight:
3,5 kg

Fan with guard grill

Airflow

Direction Type:

»S« R11R-42SPS-ECM-3500
 »B« R11R-42SPB-ECM-3500

Available on request

Fan without guard grill

Airflow

Direction Type:

»S« R11E-42SPS-ECM-3500
 »B« R11E-42SPB-ECM-3500

Available on request

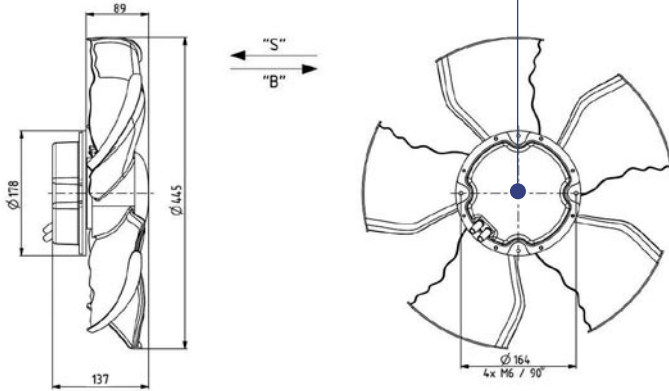
Fan with wall plate

Airflow

Direction

Type:

- »S« R11P-45SPS-ECM-3500
- »B« R11P-45SPB-ECM-3500



Weight:
3,5 kg

R11_-45SP_-ECM-3500



Diameter: 450 mm

Fan with guard grill

Airflow

Direction

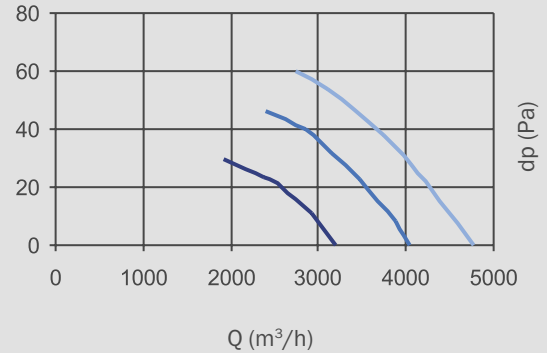
Type:

- »S« R11R-45SPS-ECM-3500
- »B« R11R-45SPB-ECM-3500

Available on request

Aerodynamic characteristic:

- 1000min⁻¹ / Ua=10V
- 800min⁻¹ / Ua=8V
- 600min⁻¹ / Ua = 6V



Ua = Analog input voltage for speed control (0 - 10V)

Fan without guard grill

Airflow

Direction

Type:

- »S« R11E-45SPS-ECM-3500
- »B« R11E-45SPB-ECM-3500

Available on request

Performance Data:

- 1~230V 50/60Hz
- P₁ = 170W
- n = 1000min⁻¹
- I = 1,3A
- T_R = -30 to +65 °C
- Connection: cable
- Overload Electronic Protection
- Ins.Cl. F
- IP44

Notes:

Fan characteristic measured in short bell mouth with guard grill



R13_5030HS-I6M-7057

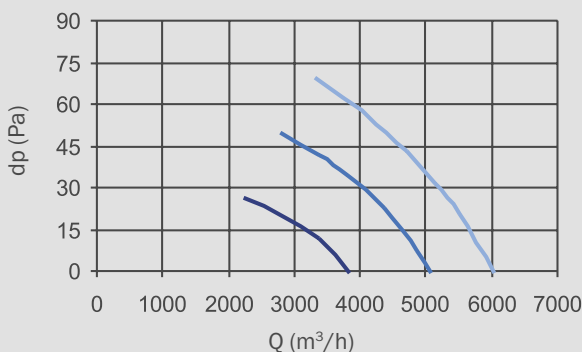
Fan with wall plate**Airflow****Direction**

»S«

Type:

R13P-5030HS-I6M-7057

Available on request

Diameter: 500 mm**Aerodynamic characteristic:**950min⁻¹ / U_a=10V800min⁻¹ / U_a=8V600min⁻¹ / U_a=6VU_a = Analog input voltage for speed control (0 - 10V)**Performance Data:**

Input Voltage: 1 ph ~ 184 - 264V

Input Frequency: 50 / 60Hz

Input Power: 280W

Input Current: 1,8A

Output Frequency: 5 - 50Hz, limited with motor rated power

Frequency Resolution: 0,3Hz

PWM Switching Frequency: 20kHz

Speed References: 0 - 10V, PWM, RS485 (optional)

Alarm Relay: 2A / 250VAC NC & NO

Over Temp. Protection: electronics & motor

Locked Rotor Protection

Short Circuit Protection

Limitation of Motor Current

Built in active PFC (Power Factor Correction)

EMC Legislation: EN61000-6-2, EN61000-6-4

t_R = -30 to +60 °C

Connection: terminal box

Ins.Cl.F

IP54

Notes:

Fan characteristic measured in full bell mouth with guard grill

Fan with guard grill**Airflow****Direction**

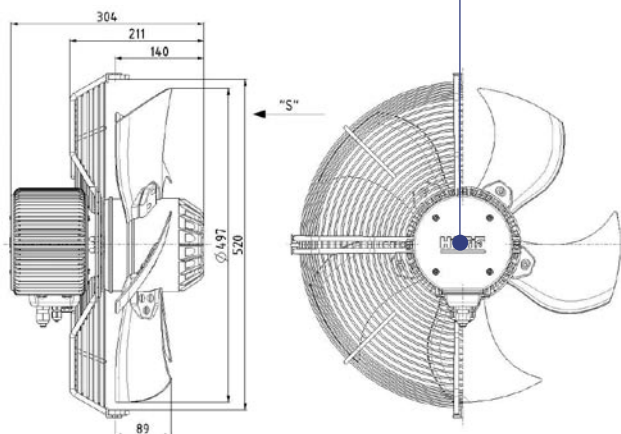
»S«

Type:

R13R-5030HS-I6M-7057

Code:

0313-4-2004

**Weight:**
14,5 kg**Fan without guard grill****Airflow****Direction**

»S«

Type:

R13E-5030HS-I6M-7057

Available on request

Fan with wall plate**Airflow****Direction****Type:**

»S«

R13P-5630HS-I6M-7057

Available on request

R13_-5630HS-I6M-7057

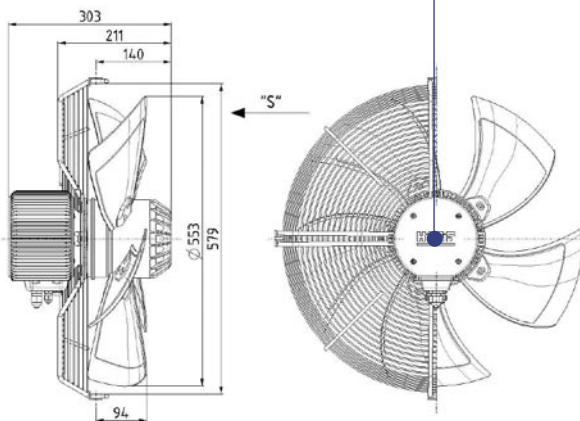
**Diameter:** 560 mm**Fan with guard grill****Airflow****Direction****Type:**

»S«

R13R-5630HS-I6M-7057

Code:

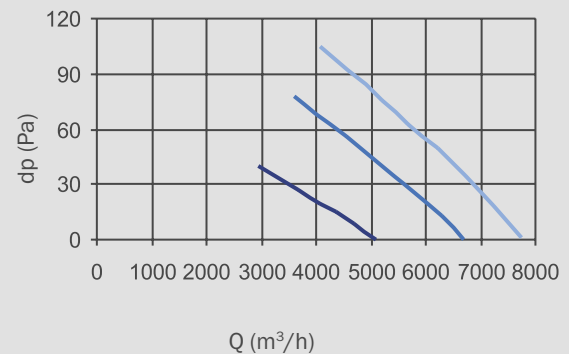
0313-4-2003

**Weight:**
15,3 kg**Fan without guard grill****Airflow****Direction****Type:**

»S«

R13E-5630HS-I6M-7057

Available on request

Aerodynamic characteristic:910min⁻¹ / U_a=10V800min⁻¹ / U_a=8V600min⁻¹ / U_a=6VU_a = Analog input voltage for speed control (0 - 10V)**Performance Data:**

Input Voltage: 1 ph ~ 184 - 264V

Input Frequency: 50 / 60Hz

Input Power: 450W

Input Current: 3A

Output Frequency: 5 - 50Hz, limited with motor rated power

Frequency Resolution: 0,3Hz

PWM Switching Frequency: 20kHz

Speed References: 0 - 10V, PWM, RS485 (optional)

Alarm Relay: 2A / 250VAC NC & NO

Over Temp. Protection: electronics & motor

Locked Rotor Protection

Short Circuit Protection

Limitation of Motor Current

Built in active PFC (Power Factor Correction)

EMC Legislation: EN61000-6-2, EN61000-6-4

t_R = -30 to +60 °C

Connection: terminal box

Ins.Cl.F

IP54

Notes:

Fan characteristic measured in full bell mouth with guard grill



R13_-6330HS-I6M-7057

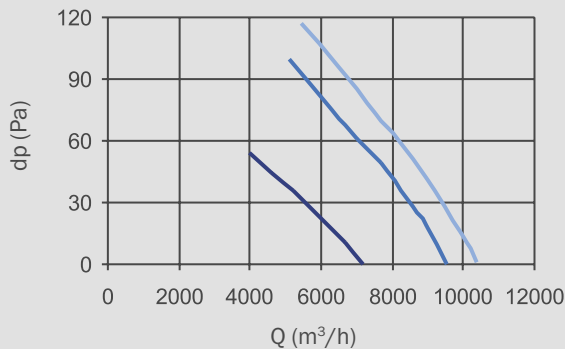
Fan with wall plate**Airflow****Direction**

»S«

Type:

R13P-6330HS-I6M-7057

Available on request

Diameter: 630 mm**Aerodynamic characteristic:**880min⁻¹ / U_a=10V800min⁻¹ / U_a=8V600min⁻¹ / U_a=6VU_a = Analog input voltage for speed control (0 - 10V)**Performance Data:**

Input Voltage: 1 ph ~ 184 - 264V

Input Frequency: 50 / 60Hz

Input Power: 700W

Input Current: 4A

Output Frequency: 5 - 50Hz, limited with motor rated power

Frequency Resolution: 0,3Hz

PWM Switching Frequency: 20kHz

Speed References: 0 - 10V, PWM, RS485 (optional)

Alarm Relay: 2A / 250VAC NC & NO

Over Temp. Protection: electronics & motor

Locked Rotor Protection

Short Circuit Protection

Limitation of Motor Current

Built in active PFC (Power Factor Correction)

EMC Legislation: EN61000-6-2, EN61000-6-4

t_R = -30 to +60 °C

Connection: terminal box

Ins.Cl.F

IP54

Notes:

Fan characteristic measured in full bell mouth with guard grill

Fan with guard grill**Airflow****Direction**

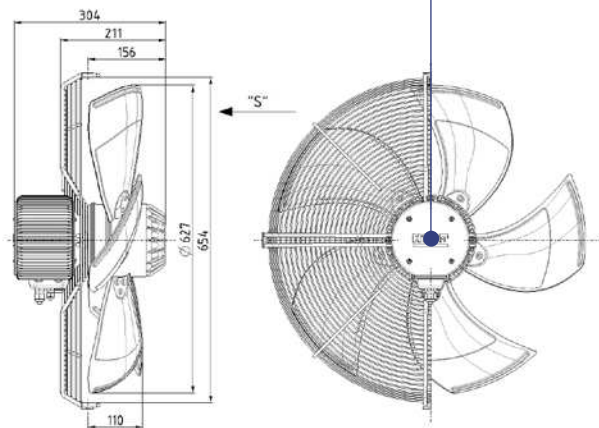
»S«

Type:

R13R-6330HS-I6M-7057

Code:

0313-4-2001

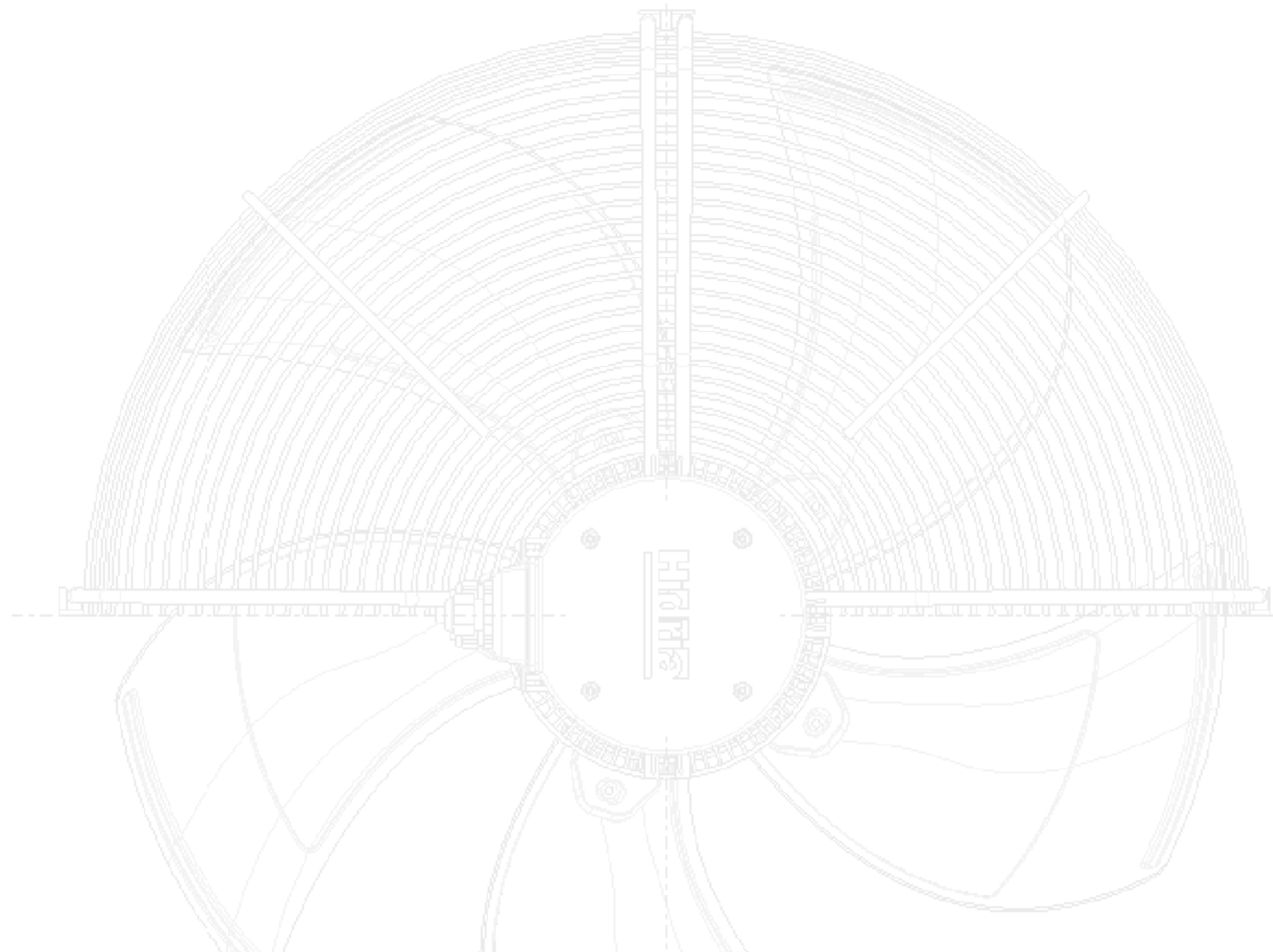
**Weight:**
16,5 kg**Fan without guard grill****Airflow****Direction**

»S«

Type:

R13E-6330HS-I6M-7057

Available on request



Axial Fans With Electronic Drives

Example of type key for HEF Axial fans

R09R-3530HA-4T2-4200

- R09** External rotor motor type
- R** Accessory type (E-without guard grill, R-with guard grill, P-with guard grill and wall plate)
- 35** Fan diameter x 10 (exact diameters are stated in drawings)
- 30H** HEF blade angle
- A** Airflow direction (A-sucking, P-blowing)
- 4** Number of poles
- T** Number of phases (M-single phase, T-three phase)
- 2** Number of speeds
- 42** Motor stack height
- 00** Electrical design

Development of energy saving and environment friendly HVAC systems

Project partially financed by ERDF





HEF Axial Fans



Diameter: 300 mm

R09_-3030H_-4M-2543

Fan with wall plate

Airflow

Direction Type:

»S«

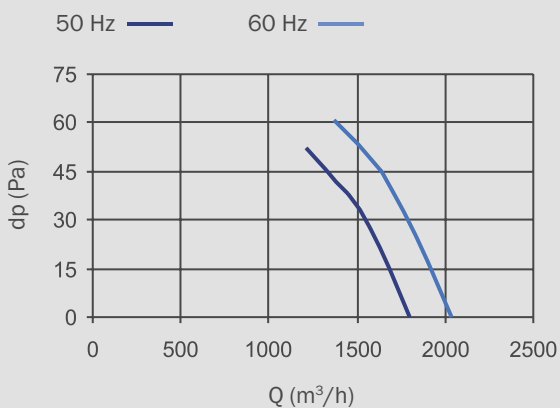
R09P-3030HA-4M-2543

»B«

R09P-3030HP-4M-2543

Available on request

Aerodynamic characteristic:



Performance Data:

1~230V 50/60Hz

$P_1 = 66 / 90W$

$n = 1370 / 1550\text{min}^{-1}$

$I = 0,31 / 0,40A$

$t_R = 70^\circ\text{C}$

$L_{wa} = 66 / 71\text{dB(A)}$

$C = 2\mu\text{F} / 450V$

Connection: terminal box

Ins.Cl. F

IP54

Notes:

Fan characteristic measured in full bell mouth with guard grill

Fan with guard grill

Airflow

Direction Type:

»S«

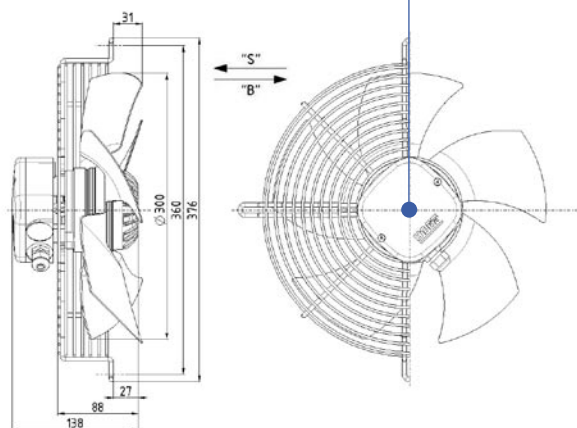
R09R-3030HA-4M-2543

»B«

R09R-3030HP-4M-2543

Code:

0309-4-1006



Weight:

3 kg

Fan without guard grill

Airflow

Direction Type:

»S«

R09E-3030HA-4M-2543

»B«

R09E-3030HP-4M-2543

Available on request

Fan with wall plate**Airflow****Direction****Type:**

»S«

R09P-3130HA-4M-3509

»B«

R09P-3130HP-4M-3509

Available on request

R09_-3130H_-4M-3509

**Diameter:** 315 mm**Fan with guard grill****Airflow****Direction****Type:**

»S«

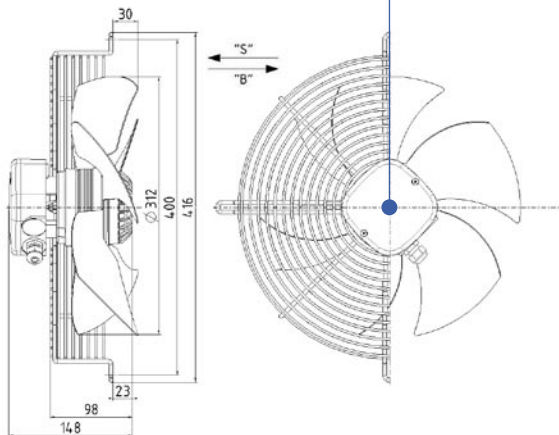
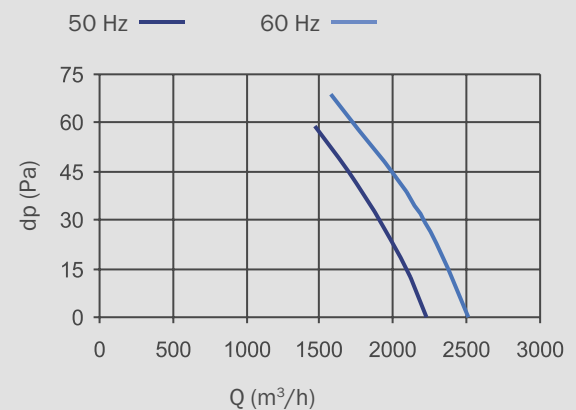
R09R-3130HA-4M-3509

»B«

R09R-3130HP-4M-3509

Code:

0309-4-1002

**Weight:**
3,3 kg**Aerodynamic characteristic:****Fan without guard grill****Airflow****Direction****Type:**

»S«

R09E-3130HA-4M-3509

»B«

R09E-3130HP-4M-3509

Available on request

Performance Data:

1~230V 50/60Hz

 $P_1 = 90 / 120W$ $n = 1350 / 1500\text{min}^{-1}$ $I = 0,40 / 0,55A$ $t_R = 70 / 60^\circ\text{C}$ $L_{wa} = 68 / 72\text{dB(A)}$ $C = 3\mu\text{F} / 450V$

Connection: terminal box

Ins.Cl. F

IP54

Notes:

Fan characteristic measured in full bell mouth with guard grill



Diameter: 330 mm

R09_-3330H_-4M-3542

Fan with wall plate

Airflow

Direction Type:

»S«

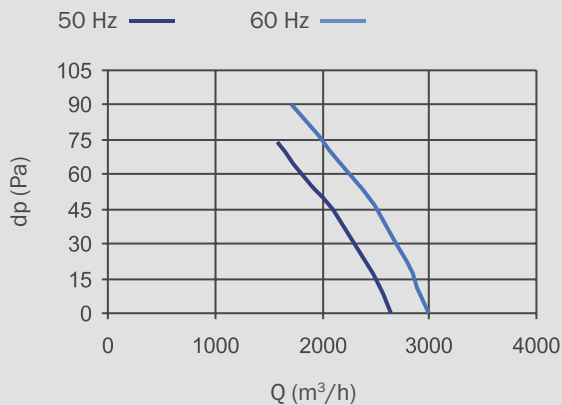
R09P-3330HA-4M-3542

»B«

R09P-3330HP-4M-3542

Available on request

Aerodynamic characteristic:



Performance Data:

1~230V 50/60Hz

$P_1 = 130 / 170W$

$n = 1345 / 1500min^{-1}$

$I = 0,55 / 0,75A$

$t_R = 60^\circ C$

$L_{wa} = 70 / 74dB(A)$

$C=4\mu F/450V$

Connection: terminal box

Ins.Cl. F

IP54

Notes:

Fan characteristic measured in full bell mouth with guard grill

Fan with guard grill

Airflow

Direction Type:

»S«

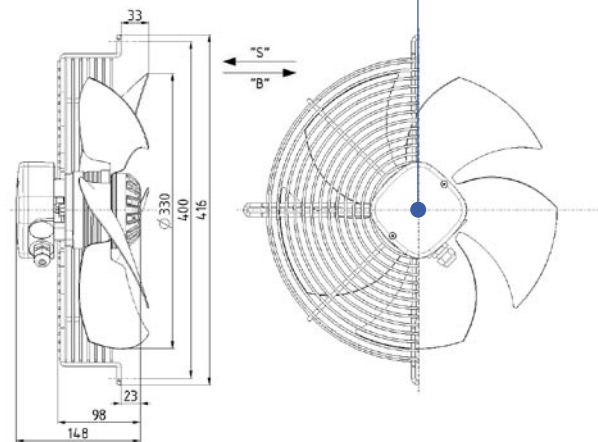
R09R-3330HA-4M-3542

»B«

R09R-3330HP-4M-3542

Code:

0309-4-1001



Weight:

3,4 kg

Fan without guard grill

Airflow

Direction Type:

»S«

R09E-3330HA-4M-3542

»B«

R09E-3330HP-4M-3542

Available on request

Fan with wall plate**Airflow****Direction****Type:**

»S« R09P-3530HA-4M-4231
 »B« R09P-3530HP-4M-4231

Available on request

R09_-3530H_-4M-4231



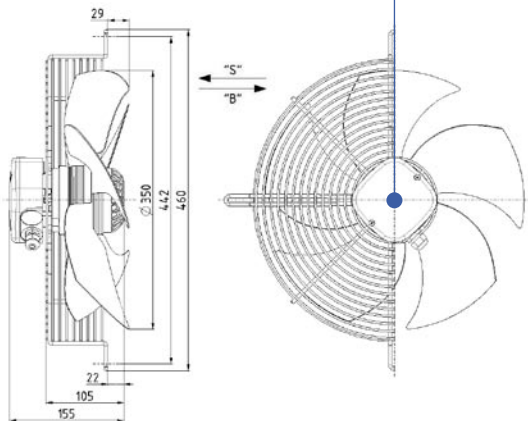
Diameter: 350 mm

Fan with guard grill**Airflow****Direction****Type:**

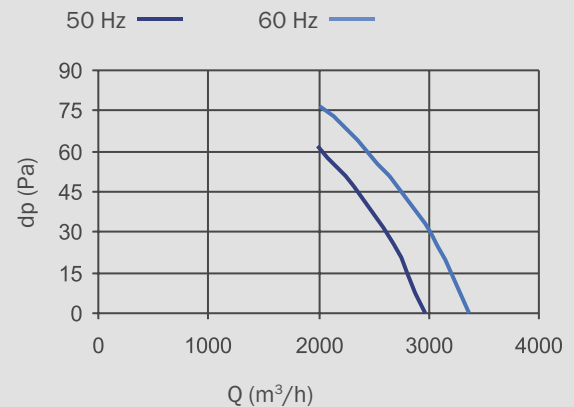
»S« R09R-3530HA-4M-4231
 »B« R09R-3530HA-4M-4231

Code:

0309-4-1000



Weight:
3,7 kg

Aerodynamic characteristic:**Fan without guard grill****Airflow****Direction****Type:**

»S« R09E-3530HA-4M-4231
 »B« R09E-3530HA-4M-4231

Available on request

Performance Data:

1~230V 50/60Hz
 $P_1 = 130 / 170W$
 $n = 1360 / 1550min^{-1}$
 $I = 0,60 / 0,75A$
 $t_R = 60^\circ C$
 $Lwa = 72 / 75dB(A)$
 $C=5\mu F/450V$
 Connection: terminal box
 Ins.Cl. F
 IP54

Notes:

Fan characteristic measured in full bell mouth with guard grill



Diameter: 300 mm

R09_-3030H_-4T-2513

Fan with wall plate

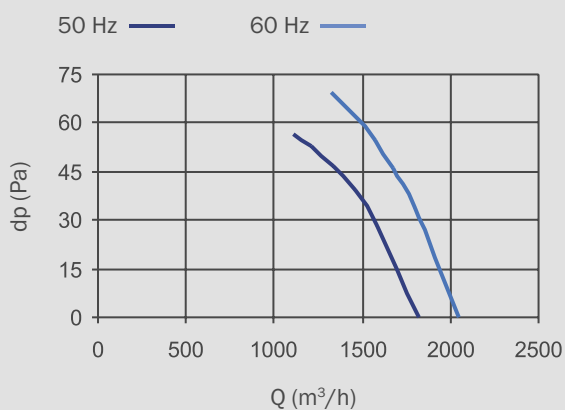
Airflow

Direction Type:

»S« R09P-3030HA-4T-2513
»B« R09P-3030HP-4T-2513

Available on request

Aerodynamic characteristic:



Performance Data:

3~230 / 400V 50/60Hz

$P_1 = 70 / 84W$

$n = 1380 / 1560\text{min}^{-1}$

$I = 0,35 / 0,20A / 0,30 / 0,18A$

$t_R = 55^\circ\text{C}$

Lwa=67 / 72 dB(A)

Connection: terminal box

Ins.Cl. F

IP54

Notes:

Fan characteristic measured in full bell mouth with guard grill

Fan with guard grill

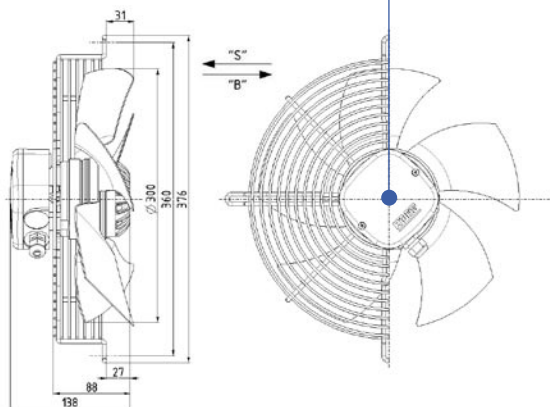
Airflow

Direction Type:

»S« R09R-3030HA-4T-2513
»B« R09R-3030HP-4T-2513

Code:

0309-4-1038



Weight:
3 kg

Fan without guard grill

Airflow

Direction Type:

»S« R09E-3030HA-4T-2513
»B« R09E-3030HP-4T-2513

Available on request

Fan with wall plate**Airflow****Direction****Type:**

»S«

R09P-3130HA-4T-3524

»B«

R09P-3130HP-4T-3524

Available on request

R09_-3130H_-4T-3524

**Diameter:** 315 mm**Fan with guard grill****Airflow****Direction****Type:**

»S«

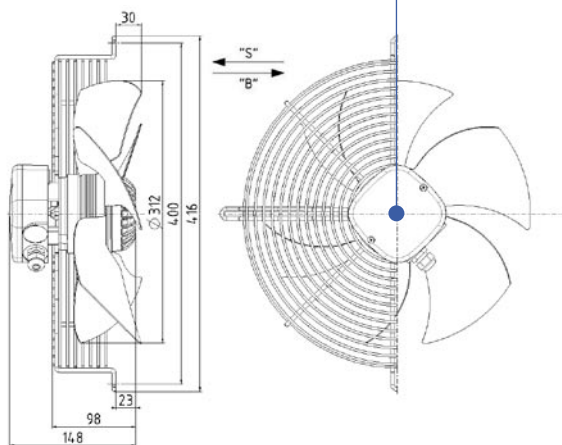
R09R-3130HA-4T-3524

»B«

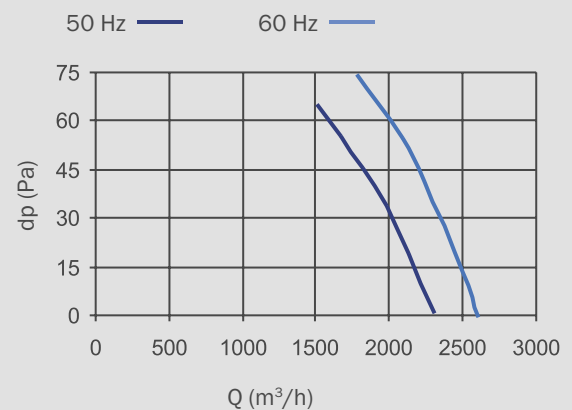
R09R-3130HP-4T-3524

Code:

0309-4-1039

**Weight:**

3,4 kg

Aerodynamic characteristic:**Fan without guard grill****Airflow****Direction****Type:**

»S«

R09E-3130HA-4T-3524

»B«

R09E-3130HP-4T-3524

Available on request

Performance Data:

3~230 / 400V 50/60Hz

 $P_1 = 100 / 120W$ $n = 1370 / 1530 \text{ min}^{-1}$ $I = 0,41 / 0,23A / 0,41 / 0,23A$ $t_R = 55^\circ C$

Lwa= 69 / 73dB(A)

Connection: terminal box

Ins.Cl. F

IP54

Notes:

Fan characteristic measured in full bell mouth with guard grill



Diameter: 350 mm

R09_-3530H_-4T-4203

Fan with wall plate

Airflow

Direction Type:

»S«

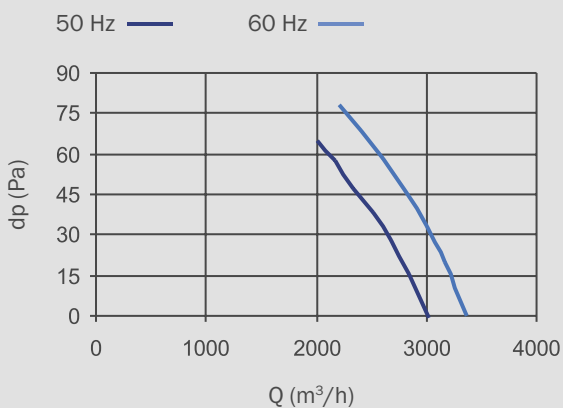
R09P-3530HA-4T-4203

»B«

R09P-3530HP-4T-4203

Available on request

Aerodynamic characteristic:



Performance Data:

3~230 / 400V 50/60Hz

$P_1 = 135 / 170W$

$n = 1380 / 1540\text{min}^{-1}$

$I = 0,53 / 0,30A / 0,53 / 0,30A$

$t_R = 50^\circ\text{C}$

$L_{wa} = 72 / 75\text{dB}$

Connection: terminal box

Ins.Cl. F

IP54

Notes:

Fan characteristic measured in full bell mouth with guard grill

Fan with guard grill

Airflow

Direction Type:

»S«

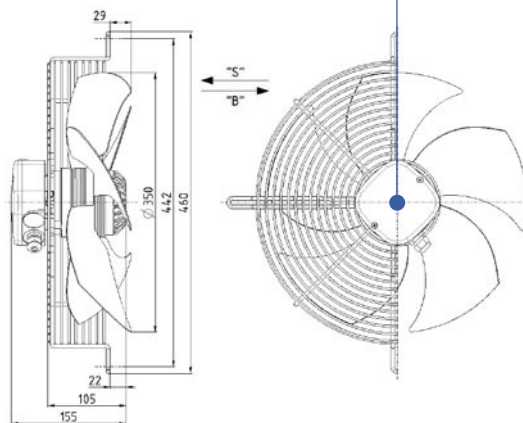
R09R-3530HA-4T-4203

»B«

R09R-3530HP-4T-4203

Code:

0309-4-1023



Weight:

3,7 kg

Fan without guard grill

Airflow

Direction Type:

»S«

R09E-3530HA-4T-4203

»B«

R09E-3530HP-4T-4203

Available on request

Fan with wall plate

Airflow

Direction

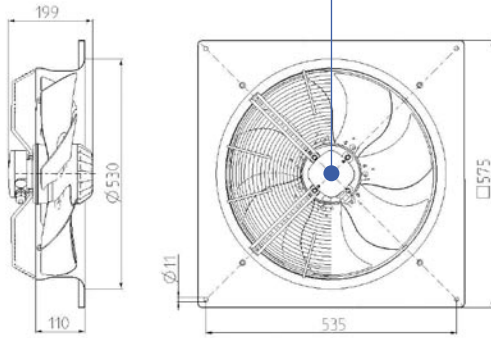
- »S«
- »B«

Type:

- R13P-4530HA-4T2-5059
- R13P-4530HP-4T2-5059

Code:

0313-4-1054



Weight:
15,5 kg

R13_-4530H_-4T2-5059



Diameter: 450 mm

Fan with guard grill

Airflow

Direction

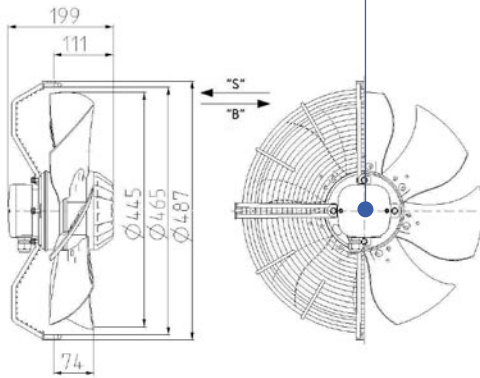
- »S«
- »B«

Type:

- R13R-4530HA-4T2-5059
- R13R-4530HP-4T2-5059

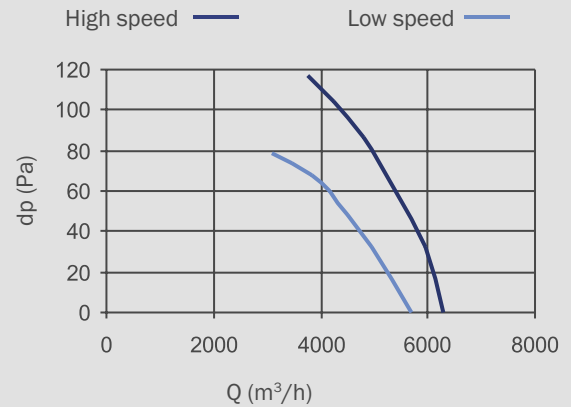
Code:

0313-4-1069



Weight:
10 kg

Aerodynamic characteristic:



Fan without guard grill

Airflow

Direction

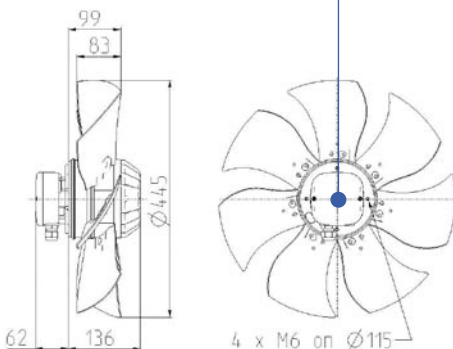
- »S«
- »B«

Type:

- R13E-4530HA-4T2-5059
- R13E-4530HP-4T2-5059

Code:

0313-4-1070



Weight:
8,1 kg

Performance Data:

- 3~400V D/Y 50Hz
- $P_1 = 465 / 330W$
- $n = 1400 / 1260min^{-1}$
- $I = 0,95 / 0,50A$
- $t_R = 70^\circ C$
- $L_{wa} = 73 / 69dB(A)$
- Connection: terminal box
- Ins.Cl. F
- IP54

Notes:

Fan characteristic measured in full bell mouth with guard grill



Diameter: 450 mm

R13_4530H_6T2-5060

Fan with wall plate

Airflow

Direction

»S«

»B«

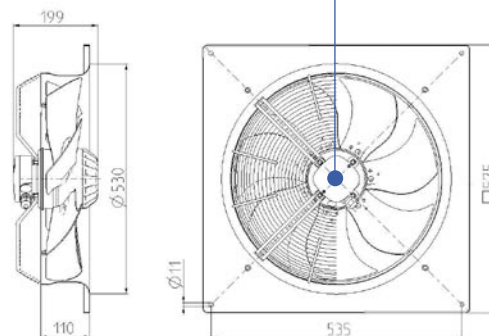
Type:

R13P-4530HA-6T2-5060

R13P-4530HP-6T2-5060

Code:

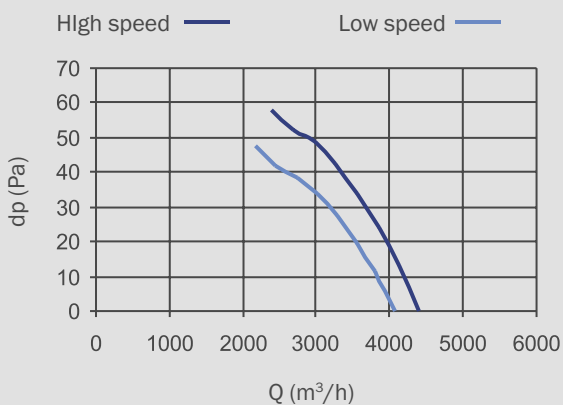
0313-4-1071



Weight:

15,5 kg

Aerodynamic characteristic:



Performance Data:

3~400V D/Y 50Hz

$P_1 = 170 / 105W$

$n = 940 / 840\text{min}^{-1}$

$I = 0,70 / 0,23A$

$t_R = 70^\circ C$

$L_{wa} = 67 / 62\text{dB(A)}$

Connection: terminal box

Ins.Cl. F

IP54

Notes:

Fan characteristic measured in full bell mouth with guard grill

Fan with guard grill

Airflow

Direction

»S«

»B«

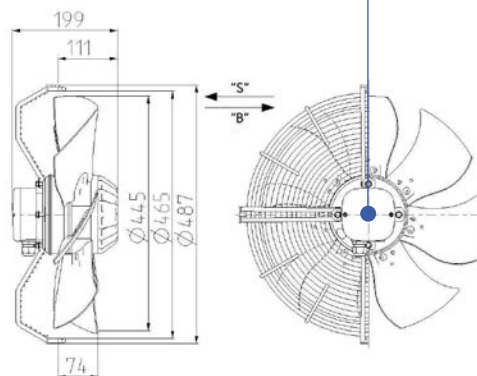
Type:

R13R-4530HA-6T2-5060

R13R-4530HP-6T2-5060

Code:

0313-4-1072



Weight:

10 kg

Fan without guard grill

Airflow

Direction

»S«

»B«

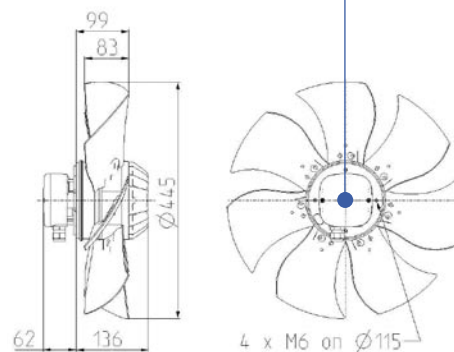
Type:

R13E-4530HA-6T2-5060

R13E-4530HP-6T2-5060

Code:

0313-4-1062



Weight:

8,1 kg

Fan with wall plate

Airflow

Direction

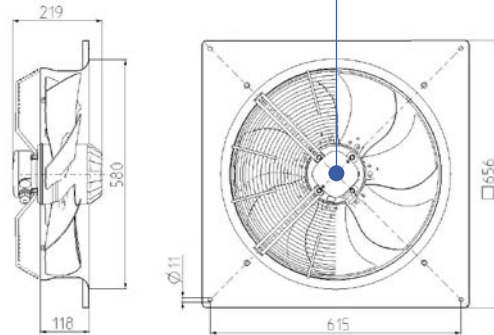
- »S«
- »B«

Type:

- R13P-5030HA-4T2-7056
- R13P-5030HP-4T2-7056

Code:

0313-4-1028



Weight:
18 kg

R13_-5030H_-4T2-7056



Diameter: 500 mm

Fan with guard grill

Airflow

Direction

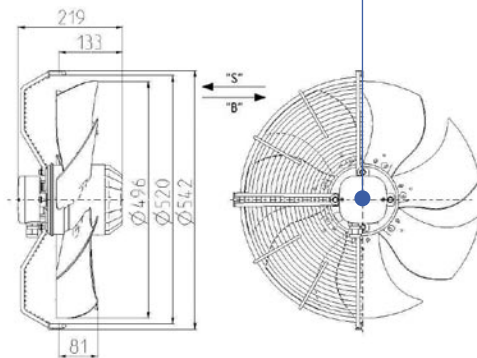
- »S«
- »B«

Type:

- R13R-5030HA-4T2-7056
- R13R-5030HP-4T2-7056

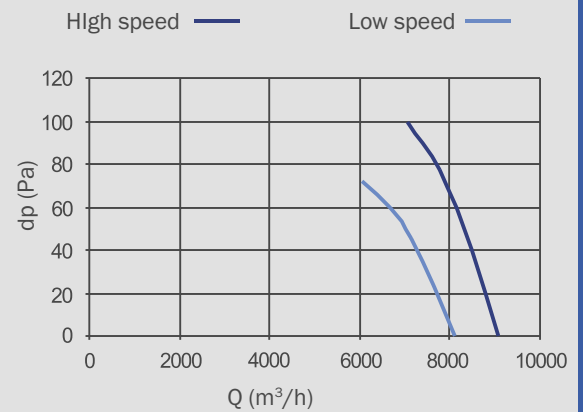
Code:

0313-4-1038



Weight:
12,5 kg

Aerodynamic characteristic:



Fan without guard grill

Airflow

Direction

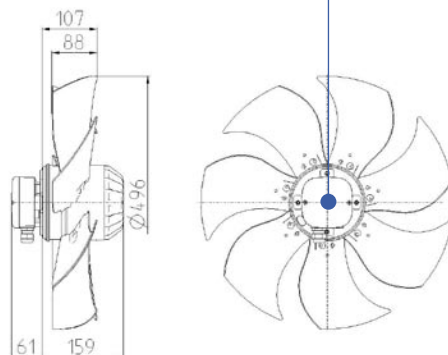
- »S«
- »B«

Type:

- R13E-5030HA-4T2-7056
- R13E-5030HP-4T2-7056

Code:

0313-4-1062



Weight:
10,1 kg

Performance Data:

- 3~400V D/Y 50Hz
- $P_1 = 0,63 / 0,48kW$
- $n = 1415 / 1260min^{-1}$
- $I = 1,75 / 0,85A$
- $t_R = 60^\circ C$
- $Lwa = 76 / 72dB(A)$
- Connection: terminal box
- Ins.Cl. F
- IP54

Notes:

Fan characteristic measured in full bell mouth with guard grill



Diameter: 500 mm

R13_5030H_4M-7075

Fan with wall plate

Airflow

Direction

»S«

»B«

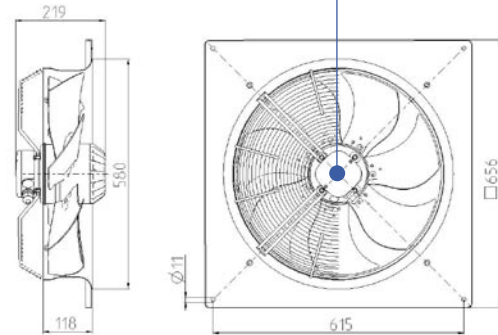
Type:

R13P-5030HA-4M-7075

R13P-5030HP-4M-7075

Code:

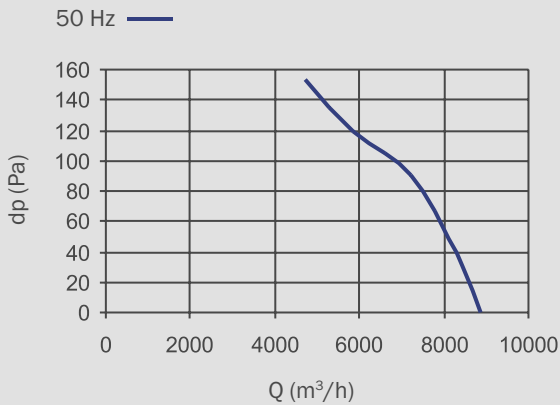
0313-4-1120



Weight:

18,6 kg

Aerodynamic characteristic:



Performance Data:

1~230V 50Hz

$P_1 = 780W$

$n = 1370\text{min}^{-1}$

$I = 3,5A$

$t_R = 60^\circ C$

$L_{wa} = 76\text{dB(A)}$

$C = 16\mu F / 450V$

Connection: terminal box

Ins.Cl. F

IP54

Notes:

Fan characteristic measured in full bell mouth with guard grill

Fan with guard grill

Airflow

Direction

»S«

»B«

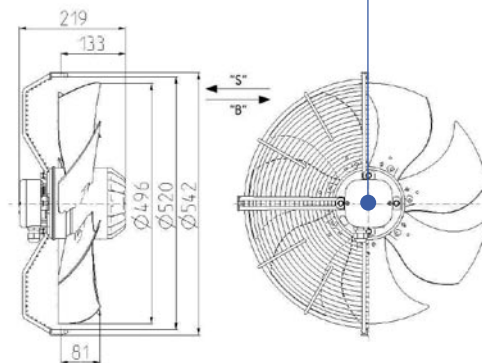
Type:

R13R-5030HA-4M-7075

R13R-5030HP-4M-7075

Code:

0313-4-1081



Weight:

13,1 kg

Fan without guard grill

Airflow

Direction

»S«

»B«

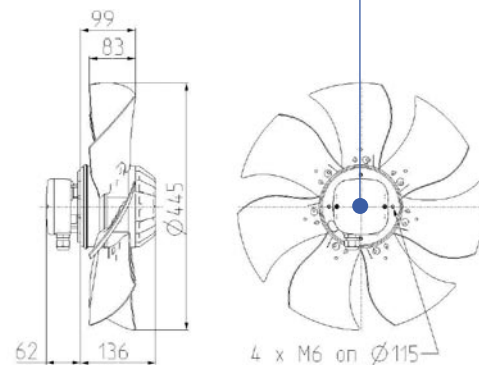
Type:

R13E-5030HA-4M-7075

R13E-5030HP-4M-7075

Code:

0313-4-1121



Weight:

10,7 kg

Fan with wall plate**Airflow****Direction**

»S«

»B«

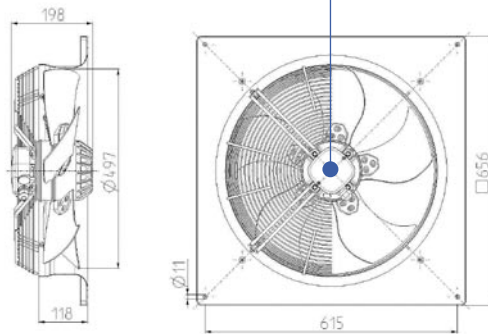
Type:

R13P-5030HA-6M-5072

R13P-5030HP-6M-5072

Code:

0313-4-1105

**Weight:**

15,8 kg

R13_-5030H_-6M-5072

**Diameter:** 500 mm**Fan with guard grill****Airflow****Direction**

»S«

»B«

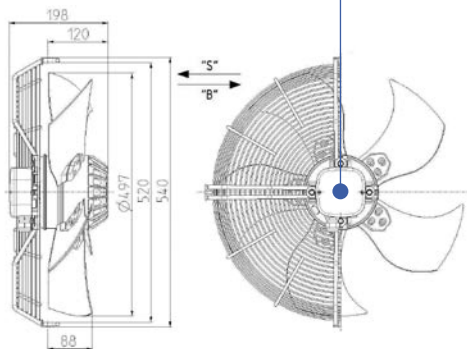
Type:

R13R-5030HA-6M-5072

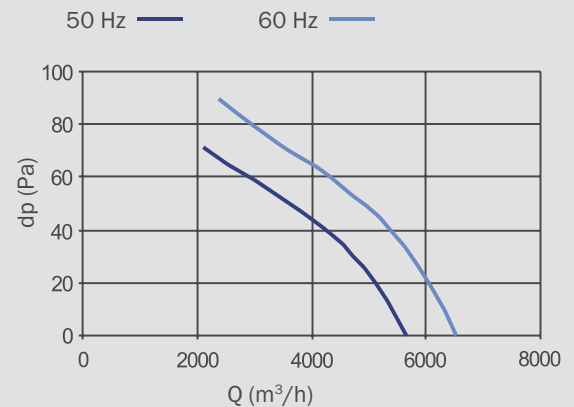
R13R-5030HP-6M-5072

Code:

0313-4-1083

**Weight:**

10,3 kg

Aerodynamic characteristic:**Fan without guard grill****Airflow****Direction**

»S«

»B«

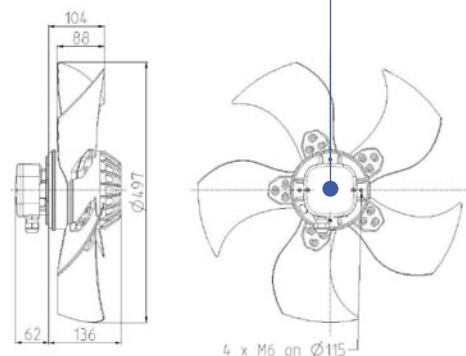
Type:

R13E-5030HA-6M-5072

R13E-5030HP-6M-5072

Code:

0313-4-1104

**Weight:**

7,9 kg

Performance Data:

1~230V 50/60Hz

 $P_1 = 245 / 320W$ $n = 900 / 1030min^{-1}$ $I = 1,1 / 1,35A$ $t_R = 60^\circ C$ $L_{wa} = 72 / 76dB(A)$ $C = 8\mu F / 450V$

Connection: terminal box

Ins.Cl. F

IP54

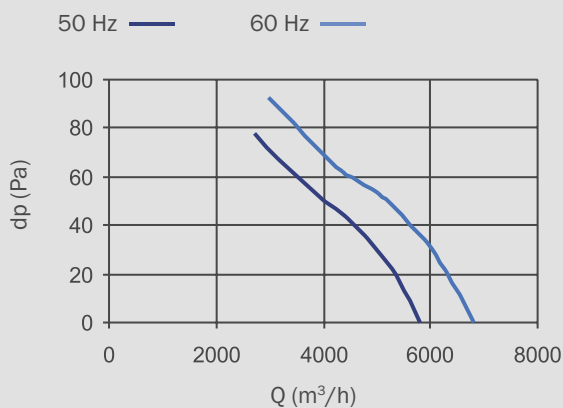
Notes:

Fan characteristic measured in full bell mouth with guard grill



Diameter: 500 mm

Aerodynamic characteristic:



Performance Data:

1~230V 50/60Hz
 $P_1 = 280 / 370W$
 $n = 890 / 1000min^{-1}$
 $I = 1,2 / 1,5A$
 $t_R = 55^\circ C$
 $Lwa = 75 / 78dB(A)$
 $C = 8uF / 450V$
 Connection: terminal box
 Ins.Cl. F
 IP54

Notes:

Fan characteristic measured in full bell mouth with guard grill

R13_-5030H_-6M-5071

Fan with wall plate

Airflow

Direction

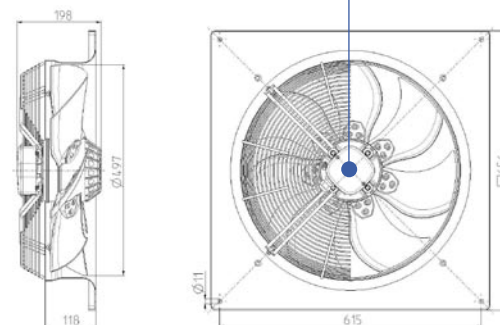
»S«
 »B«

Type:

R13P-5030HA-6M-5071
 R13P-5030HP-6M-5071

Code:

0313-4-1102



Weight:

16 kg

Fan with guard grill

Airflow

Direction

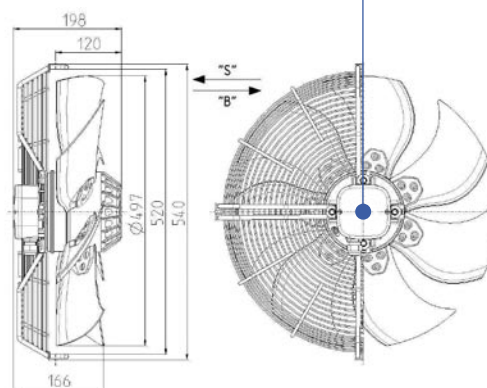
»S«
 »B«

Type:

R13R-5030HA-6M-5071
 R13R-5030HP-6M-5071

Code:

0313-4-1080



Weight:

10,5 kg

Fan without guard grill

Airflow

Direction

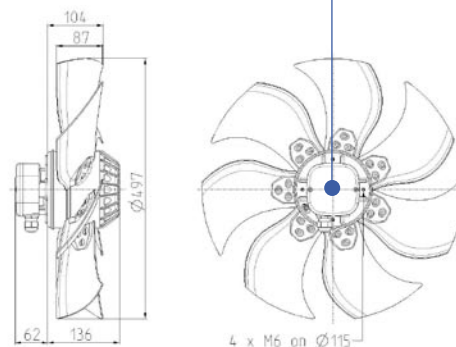
»S«
 »B«

Type:

R13E-5030HA-6M-5071
 R13E-5030HP-6M-5071

Code:

0313-4-1101



Weight:

8 kg

Fan with wall plate**Airflow****Direction**

»S«

»B«

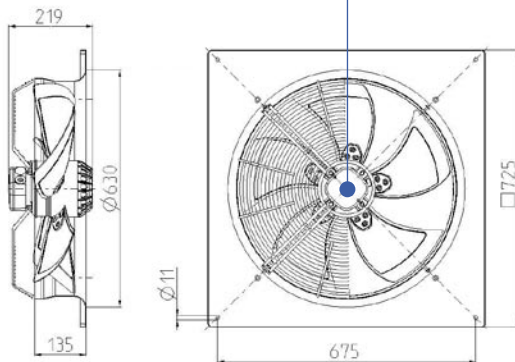
Type:

R13P-5630HA-6M-7036

R13P-5630HP-6M-7036

Code:

0313-4-1031

**Weight:**

21 kg

R13_-5630H_-6M-7036

**Diameter:** 560 mm**Fan with guard grill****Airflow****Direction**

»S«

»B«

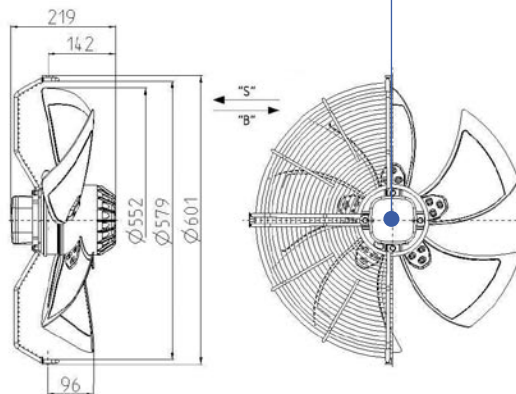
Type:

R13R-5630HA-6M-7036

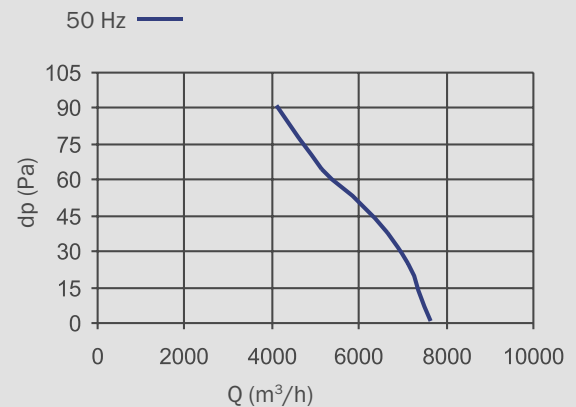
R13R-5630HP-6M-7036

Code:

0313-4-1007

**Weight:**

13,3 kg

Aerodynamic characteristic:**Fan without guard grill****Airflow****Direction**

»S«

»B«

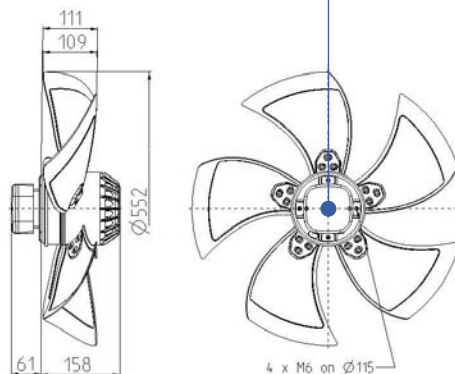
Type:

R13E-5630HA-6M-7036

R13E-5630HP-6M-7036

Code:

0313-4-1066

**Weight:**

10,5 kg

Performance Data:

1~230V 50Hz

 $P_1 = 420W$ $n = 865min^{-1}$ $I = 1,9A$ $t_R = 55^\circ C$ $L_{wa} = 76dB(A)$ $C = 12.5\mu F / 450V$

Connection: terminal box

Ins.Cl. F

IP54

Notes:

Fan characteristic measured in full bell mouth with guard grill



Diameter: 560 mm

R13_5630H_6T2-7008

Fan with wall plate

Airflow

Direction

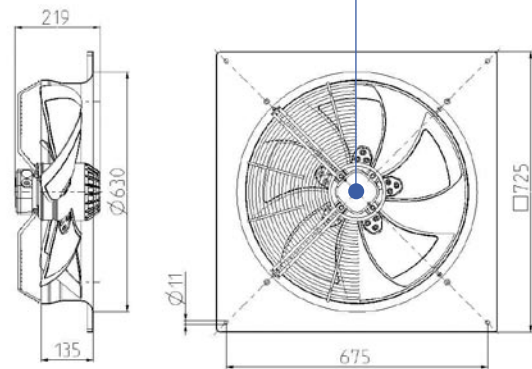
- »S«
- »B«

Type:

R13P-5630HA-6T2-7008
R13P-5630HP-6T2-7008

Code:

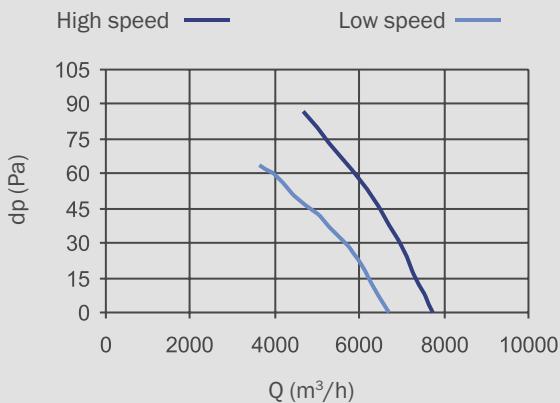
0313-4-1015



Weight:

21 kg

Aerodynamic characteristic:



Performance Data:

3~400V D/Y 50Hz

$P_1 = 0,38 / 0,25$ kW

$n = 910 / 760$ min⁻¹

$I = 0,85 / 0,44$ A

$t_R = 70$ °C

Lwa = 76 / 71 dB(A)

Connection: terminal box

Ins.Cl. F

IP54

Notes:

Fan characteristic measured in full bell mouth with guard grill

Fan with guard grill

Airflow

Direction

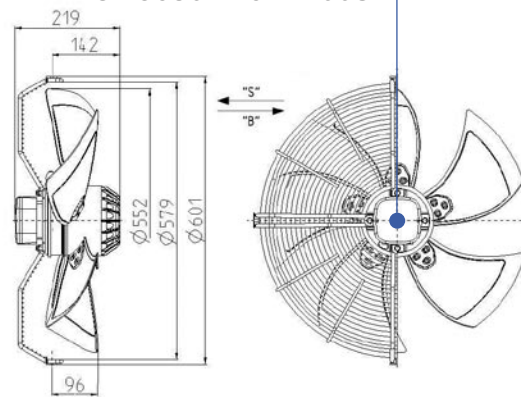
- »S«
- »B«

Type:

R13R-5630HA-6T2-7008
R13R-5630HP-6T2-7008

Code:

0313-4-1011



Weight:

13,3 kg

Fan without guard grill

Airflow

Direction

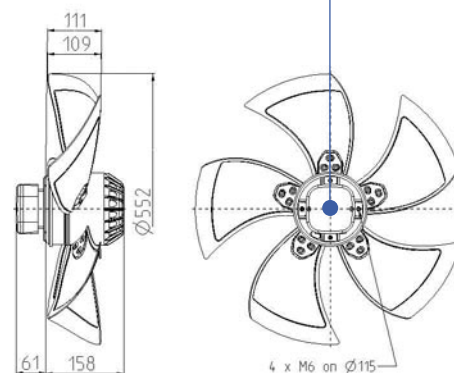
- »S«
- »B«

Type:

R13E-5630HA-6T2-7008
R13E-5630HP-6T2-7008

Code:

0313-4-1045



Weight:

10,5 kg

Fan with wall plate**Airflow****Direction**

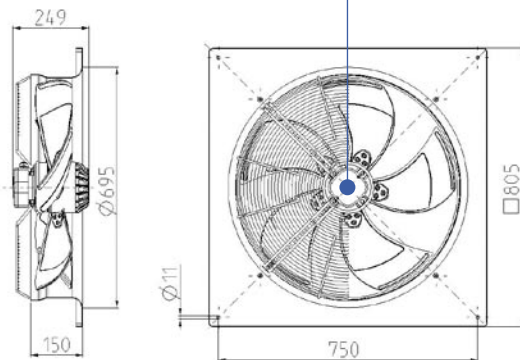
»S«
»B«

Type:

R13P-6330HA-6M-X055
R13P-6330HP-6M-X055

Code:

0313-4-1060

**Weight:**

21 kg

R13_-6330H_-6M-X055

**Diameter:** 630 mm**Fan with guard grill****Airflow****Direction**

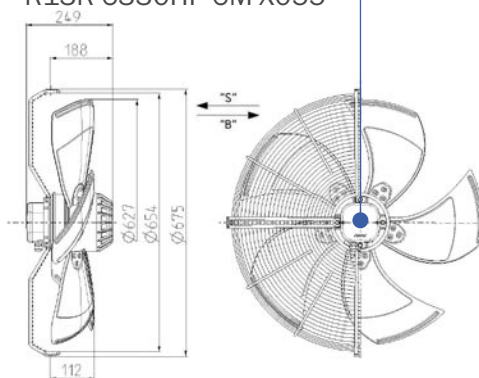
»S«
»B«

Type:

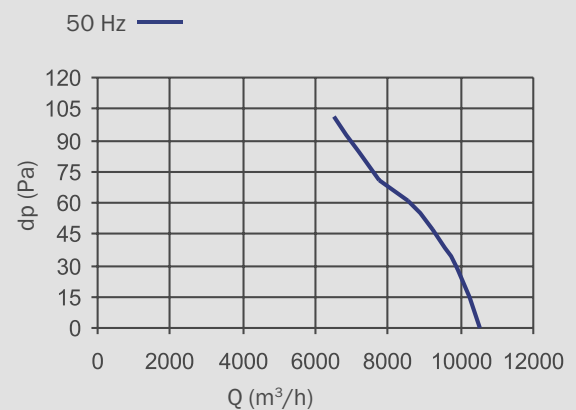
R13R-6330HA-6M-X055
R13R-6330HP-6M-X055

Code:

0313-4-1005

**Weight:**

13,3 kg

Aerodynamic characteristic:**Fan without guard grill****Airflow****Direction**

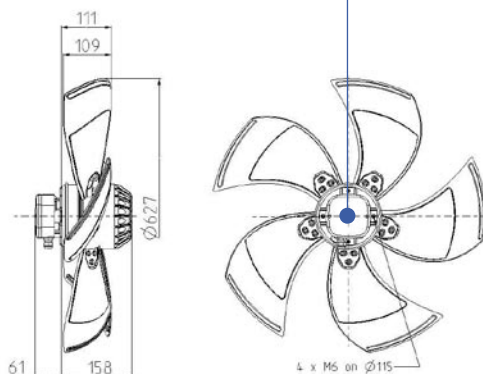
»S«
»B«

Type:

R13E-6330HA-6M-X055
R13E-6330HP-6M-X055

Code:

0313-4-1061

**Weight:**

10,5 kg

Performance Data:

1~230V 50Hz

 $P_1 = 680W$ $n = 890min^{-1}$ $I = 3,1A$ $t_R = 50^\circ C$

Lwa = 77 dB(A)

C = 18uF / 450V

Connection: terminal box

Ins.Cl. F

IP54

Notes:

Fan characteristic measured in full bell mouth with guard grill



Diameter: 630 mm

R13_-6330H_-6T2-7042

Fan with wall plate

Airflow

Direction

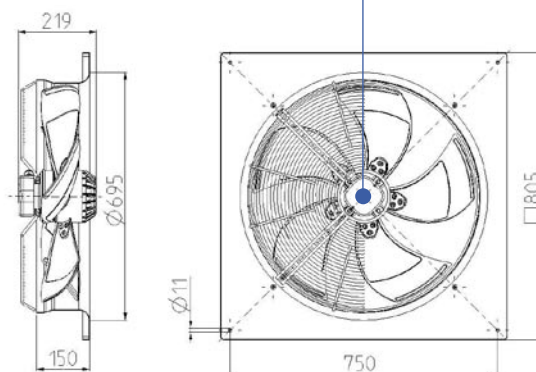
»S«
»B«

Type:

R13P-6330HA-6T2-7042
R13P-6330HP-6T2-7042

Code:

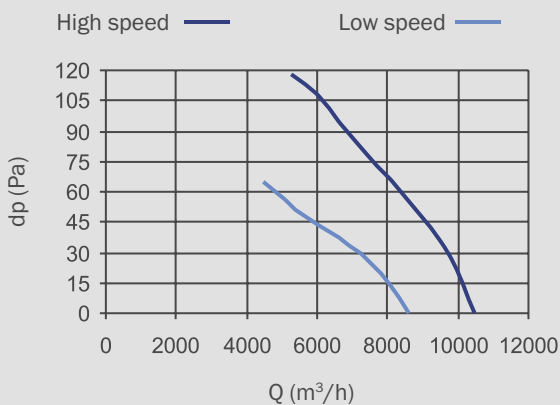
0313-4-1013



Weight:

23,3 kg

Aerodynamic characteristic:



Performance Data:

3~400V D/Y 50Hz

$P_1 = 0,60 / 0,38\text{kW}$

$n = 870 / 640\text{min}^{-1}$

$I = 1,25 / 0,65\text{A}$

$t_R = 65^\circ\text{C}$

$L_{wa} = 76,5 / 73\text{dB(A)}$

Connection: terminal box

Ins.Cl. F

IP54

Notes:

Fan characteristic measured in full bell mouth with guard grill

Fan with guard grill

Airflow

Direction

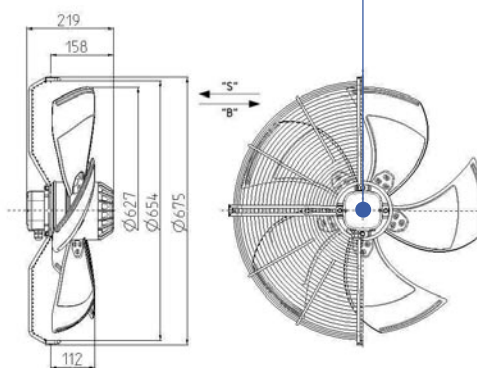
»S«
»B«

Type:

R13R-6330HA-6T2-7042
R13R-6330HP-6T2-7042

Code:

0313-4-1000



Weight:

14,5 kg

Fan without guard grill

Airflow

Direction

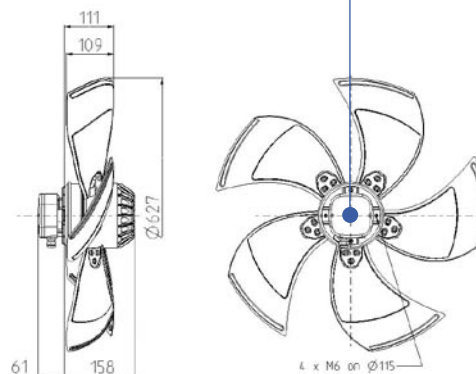
»S«
»B«

Type:

R13E-6330HA-6T2-7042
R13E-6330HP-6T2-7042

Code:

0313-4-1042



Weight:

10,8 kg

Fan with wall plate

Airflow

Direction

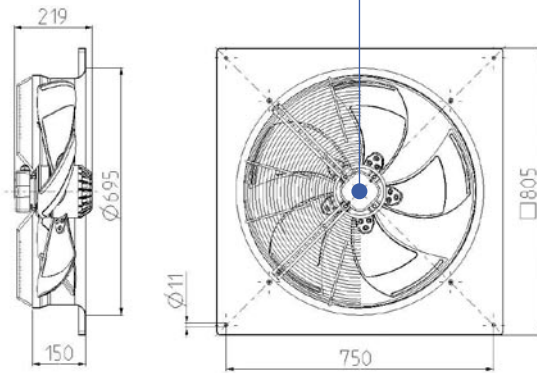
- »S«
- »B«

Type:

- R13P-6330HA-8T2-7038
- R13P-6330HP-8T2-7038

Code:

0313-4-1030



Weight:
23,3 kg

R13_-6330H_-8T2-7038



Diameter: 630 mm

Fan with guard grill

Airflow

Direction

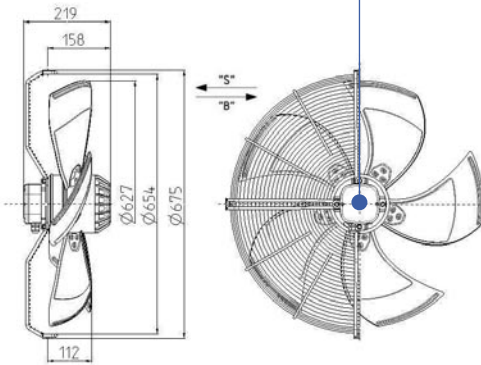
- »S«
- »B«

Type:

- R13R-6330HA-8T2-7038
- R13R-6330HP-8T2-7038

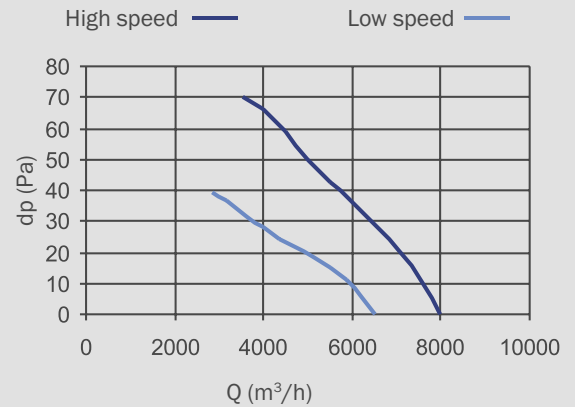
Code:

0313-4-1023



Weight:
14,5 kg

Aerodynamic characteristic:



Fan without guard grill

Airflow

Direction

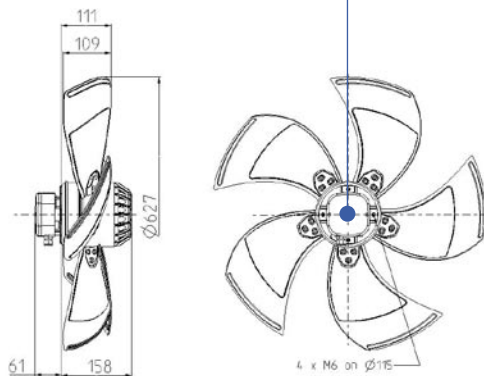
- »S«
- »B«

Type:

- R13E-6330HA-8T2-7038
- R13E-6330HP-8T2-7038

Code:

0313-4-1043



Weight:
10,8 kg

Performance Data:

- 3~400V D/Y 50Hz
- $P_1 = 0,28 / 0,175$ kW
- $n = 650 / 510$ min⁻¹
- $I = 0,68 / 0,30$ A
- $t_R = 70$ °C
- $L_{wa} = 70,5 / 66$ dB(A)
- Connection: terminal box
- Ins.Cl. F
- IP54

Notes:

Fan characteristic measured in full bell mouth with guard grill



Diameter: 630 mm

R13_6330H_-12T2-7051

Fan with wall plate

Airflow

Direction

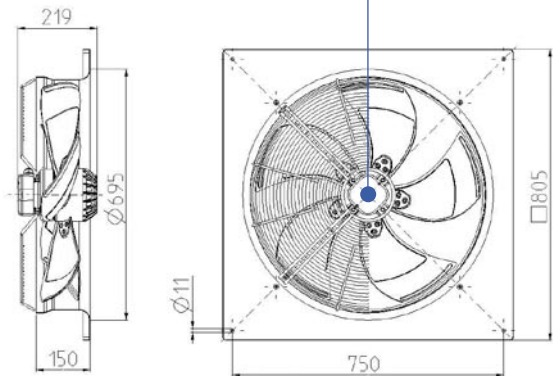
- »S«
- »B«

Type:

R13P-6330HA-12T2-7051
R13P-6330HP-12T2-7051

Code:

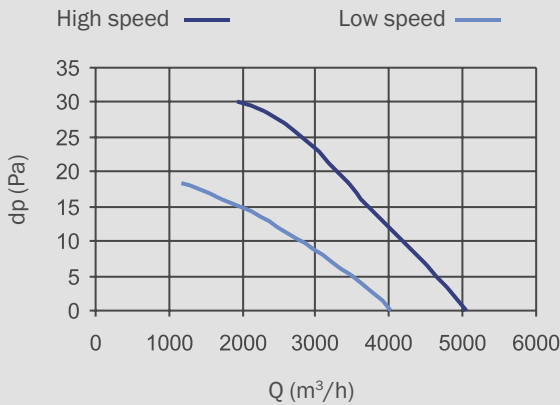
0313-4-1037



Weight:

23,3 kg

Aerodynamic characteristic:



Performance Data:

3~400V D/Y 50Hz

$P_1 = 112 / 58W$

$n = 430 / 330\text{min}^{-1}$

$I = 0,33 / 0,13A$

$t_R = 70^\circ C$

$L_{wa} = 63 / 53\text{dB(A)}$

Connection: terminal box

Ins.Cl. F

IP54

Notes:

Fan characteristic measured in full bell mouth with guard grill

Fan with guard grill

Airflow

Direction

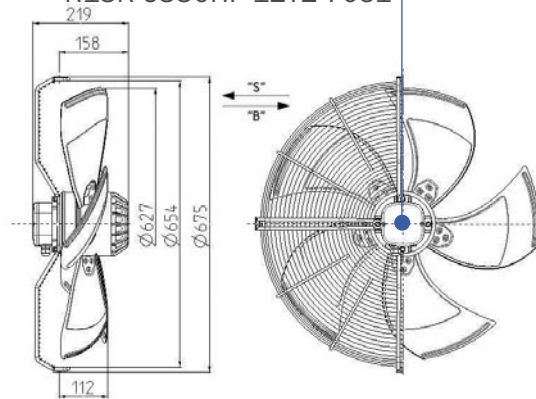
- »S«
- »B«

Type:

R13R-6330HA-12T2-7051
R13R-6330HP-12T2-7051

Code:

0313-4-1041



Weight:

14,5 kg

Fan without guard grill

Airflow

Direction

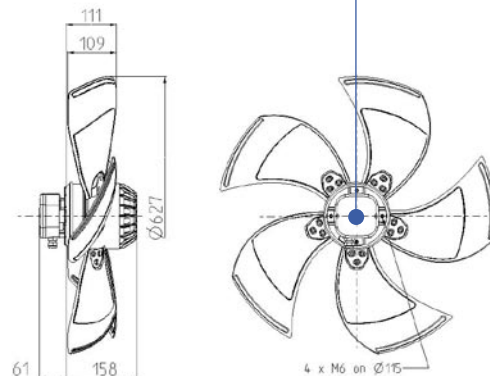
- »S«
- »B«

Type:

R13E-6330HA-12T2-7051
R13E-6330HP-12T2-7051

Code:

0313-4-1044



Weight:

10,8 kg

Fan with wall plate**Airflow****Direction**

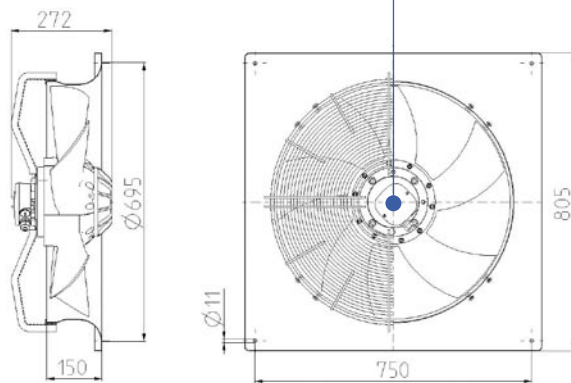
»S«

Type:

R18P-6330HA-4T2-X003

Code:

0318-4-0020

**Weight:**

39 kg

R18_-6330H_-4T2-X003

**Diameter:** 630 mm**Fan with guard grill****Airflow****Direction**

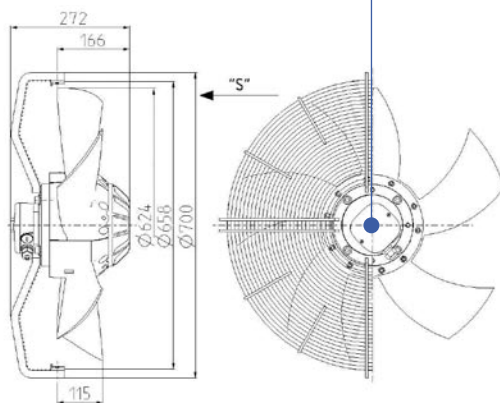
»S«

Type:

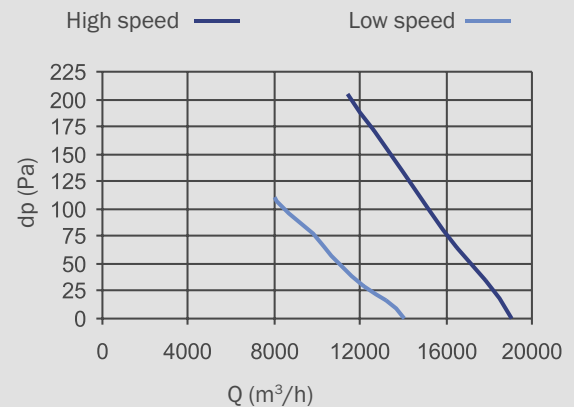
R18R-6330HA-4T2-X003

Code:

0318-4-0014

**Weight:**

30,5 kg

Aerodynamic characteristic:**Fan without guard grill****Airflow****Direction**

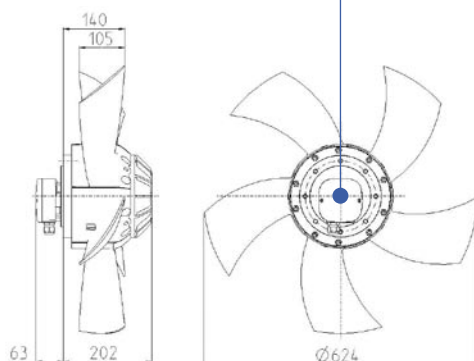
»S«

Type:

R18E-6330HA-4T2-X003

Code:

0318-4-0010

**Weight:**

26 kg

Performance Data:

3~400V D/Y 50Hz

 $P_1 = 2,35 / 1,37\text{kW}$ $n = 1360 / 1000\text{min}^{-1}$ $I = 4,65 / 2,75\text{A}$ $t_R = 55^\circ\text{C}$

Lwa = 89 / 83dB(A)

Connection: terminal box

Ins.Cl. F

IP54

Notes:

Fan characteristic measured in full bell mouth with guard grill



Diameter: 710 mm

R18_-7130H_-6T2-7502

Fan with wall plate

Airflow

Direction

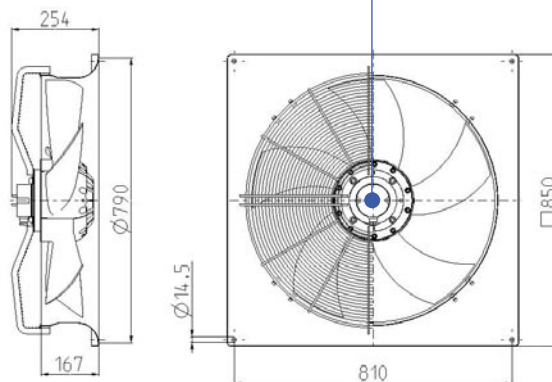
»S«

Type:

R18P-7130HA-6T2-7502

Code:

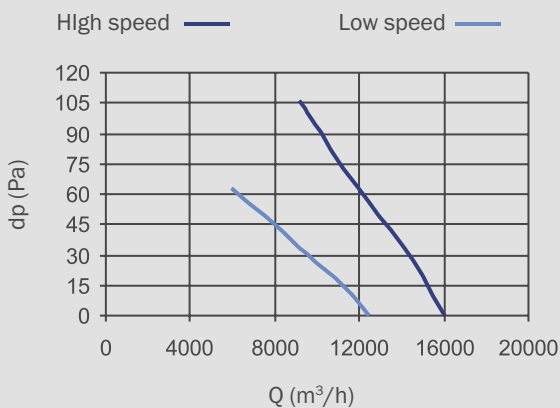
0318-4-0003



Weight:

34,9 kg

Aerodynamic characteristic:



Performance Data:

3~400V D/Y 50Hz

$P_1 = 0,99 / 0,65\text{kW}$

$n = 870 / 620\text{min}^{-1}$

$I = 1,9 / 1,2\text{A}$

$t_R = 60^\circ\text{C}$

$L_{wa} = 78 / 74\text{dB(A)}$

Connection: terminal box

Ins.Cl. F

IP54

Notes:

Fan characteristic measured in full bell mouth with guard grill

Fan with guard grill

Airflow

Direction

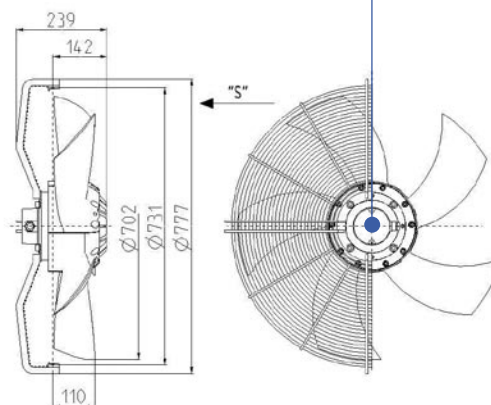
»S«

Type:

R18R-7130HA-6T2-7502

Code:

0318-4-0007



Weight:

27,2 kg

Fan without guard grill

Airflow

Direction

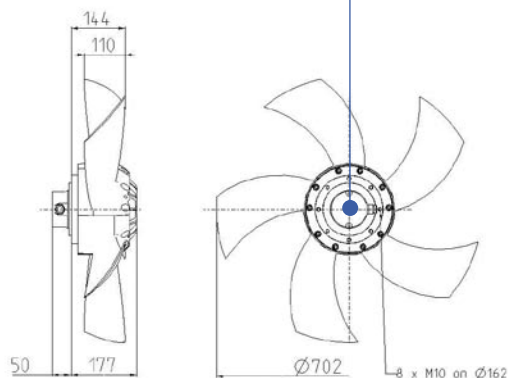
»S«

Type:

R18E-7130HA-6T2-7502

Code:

0318-4-0016



Weight:

22 kg

Fan with wall plate

Airflow

Direction

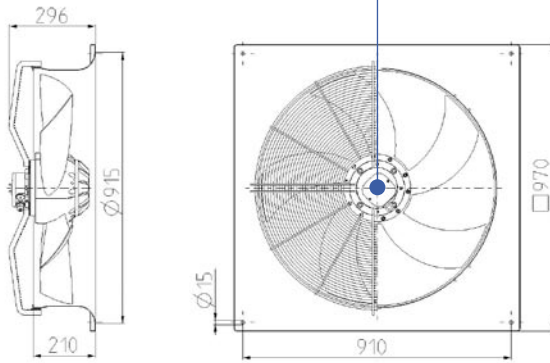
»S«

Type:

R18P-8030HA-6T2-X004

Code:

0318-4-0028



Weight:
45,7 kg

R18_-8030H_-6T2-X004



Diameter: 800 mm

Fan with guard grill

Airflow

Direction

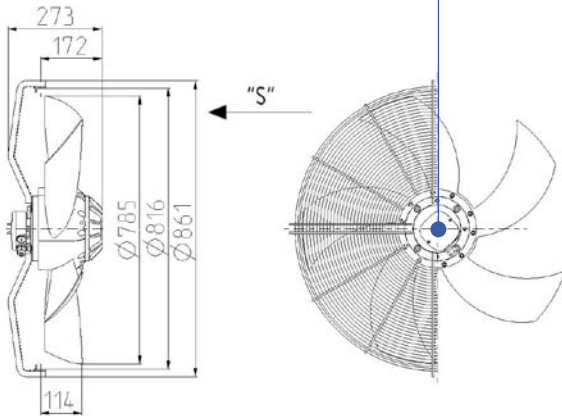
»S«

Type:

R18R-8030HA-6T2-X004

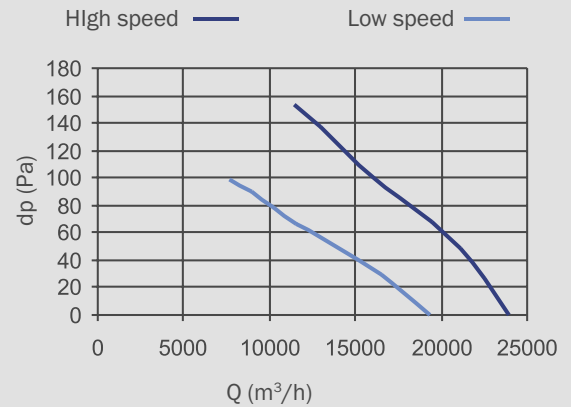
Code:

0318-4-0026



Weight:
32,8 kg

Aerodynamic characteristic:



Fan without guard grill

Airflow

Direction

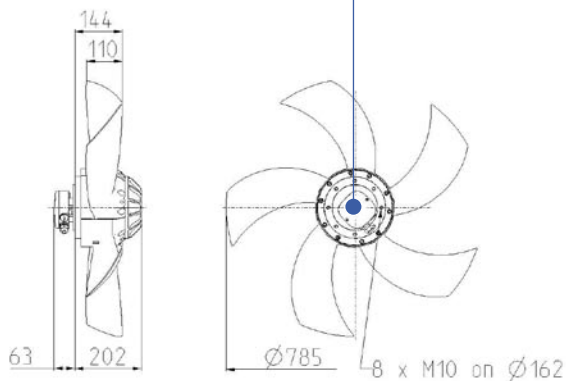
»S«

Type:

R18E-8030HA-6T2-X004

Code:

0318-4-0029



Weight:
27 kg

Performance Data:

3~400V D/Y 50Hz
 $P_1 = 1,56 / 1,05\text{kW}$
 $n = 900 / 700\text{min}^{-1}$
 $I = 3,5 / 2,0\text{A}$
 $t_R = 60^\circ\text{C}$
 $L_{wa} = 82 / 77\text{dB(A)}$
 Connection: terminal box
 Ins.Cl. F
 IP54

Notes:

Fan characteristic measured in full bell mouth with guard grill



Diameter: 800 mm

R18_-8030H_-6T2-X001

Fan with wall plate

Airflow Direction

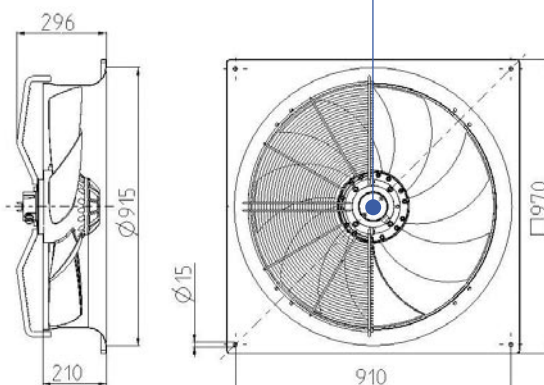
»S«

Type:

R18P-8030HA-6T2-X001

Code:

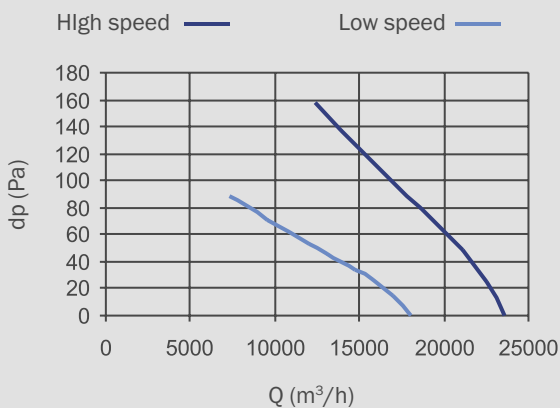
0318-4-0001



Weight:

47,7 kg

Aerodynamic characteristic:



Performance Data:

3~400V D/Y 50Hz

$P_1 = 2,0 / 1,05\text{kW}$

$n = 890 / 630\text{min}^{-1}$

$I = 4,0 / 2,3\text{A}$

$t_R = 50^\circ\text{C}$

$L_{wa} = 81 / 75\text{dB(A)}$

Connection: terminal box

Ins.Cl. F

IP54

Notes:

Fan characteristic measured in full bell mouth with guard grill

Fan with guard grill

Airflow Direction

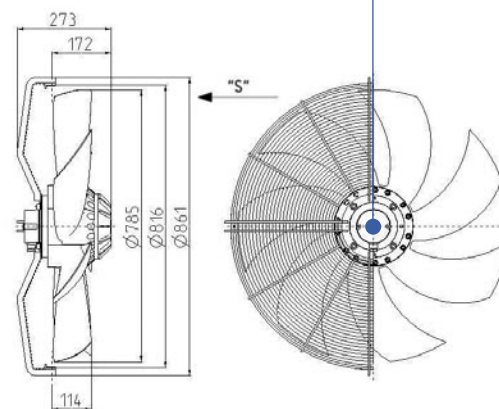
»S«

Type:

R18R-8030HA-6T2-X001

Code:

0318-4-0005



Weight:

34,8 kg

Fan without guard grill

Airflow Direction

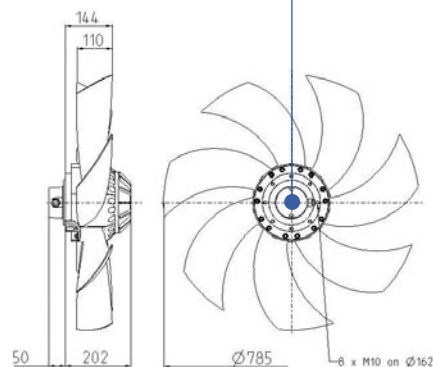
»S«

Type:

R18E-8030HA-6T2-X001

Code:

0318-4-0009



Weight:

29 kg

Fan with wall plate**Airflow****Direction**

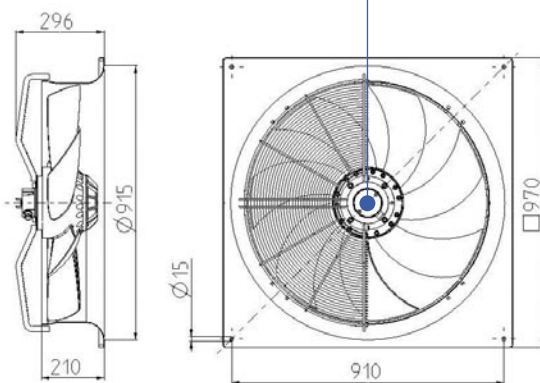
»S«

Type:

R18P-8030HA-8T2-X000

Code:

0318-4-0000

**Weight:**

47,7 kg

R18_-8030H_-8T2-X000

**Diameter:** 800 mm**Fan with guard grill****Airflow****Direction**

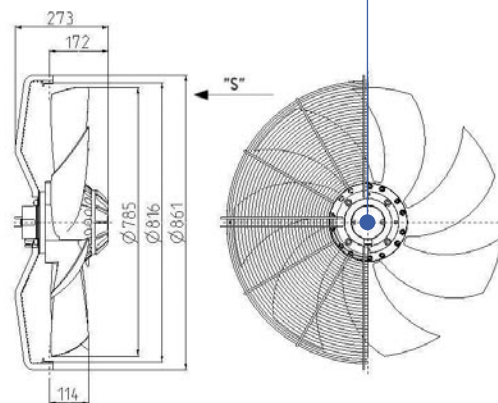
»S«

Type:

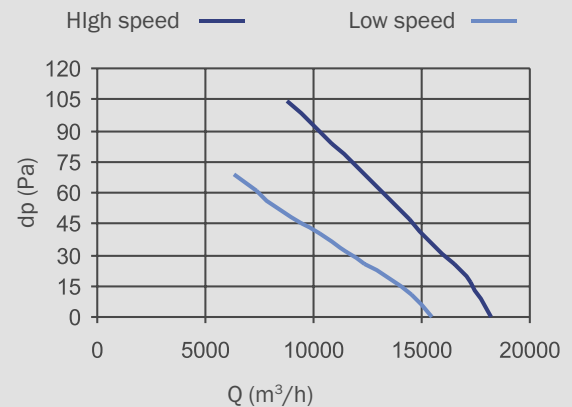
R18R-8030HA-8T2-X000

Code:

0318-4-0004

**Weight:**

34,8 kg

Aerodynamic characteristic:**Fan without guard grill****Airflow****Direction**

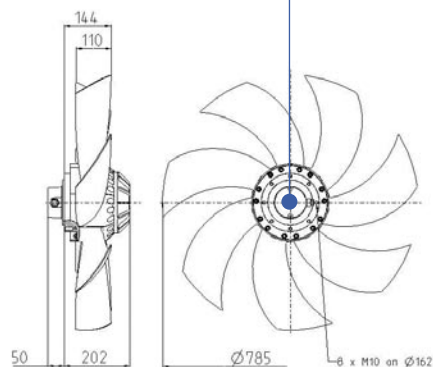
»S«

Type:

R18E-8030HA-8T2-X000

Code:

0318-4-0008

**Weight:**

29 kg

Performance Data:

3~400V D/Y 50Hz

 $P_1 = 0,92 / 0,60\text{kW}$ $n = 680 / 560\text{min}^{-1}$ $I = 2,3 / 1,15\text{A}$ $t_R = 60^\circ\text{C}$ $L_{wa} = 77 / 69,5\text{dB(A)}$

Connection: terminal box

Ins.Cl. F

IP54

Notes:

Fan characteristic measured in full bell mouth with guard grill



Diameter: 800 mm

R18_-8030H_-12T2-7505

Fan with wall plate

Airflow

Direction

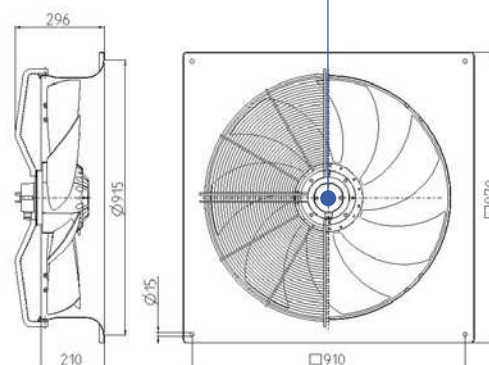
»S«

Type:

R18P-8030HA-12T2-7505

Code:

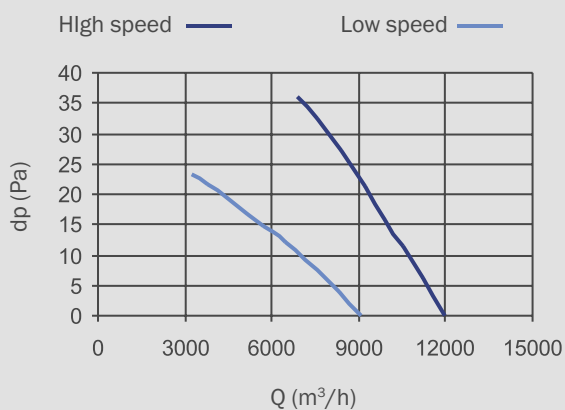
0318-4-0032



Weight:

47,7 kg

Aerodynamic characteristic:



Performance Data:

3~400V D/Y 50Hz

$P_1 = 370 / 170W$

$n = 450 / 320min^{-1}$

$I = 1,2 / 0,5A$

$t_R = 70^\circ C$

$Lwa = 66 / 58dB(A)$

Connection: terminal box

Ins.Cl. F

IP54

Notes:

Fan characteristic measured in full bell mouth with guard grill

Fan with guard grill

Airflow

Direction

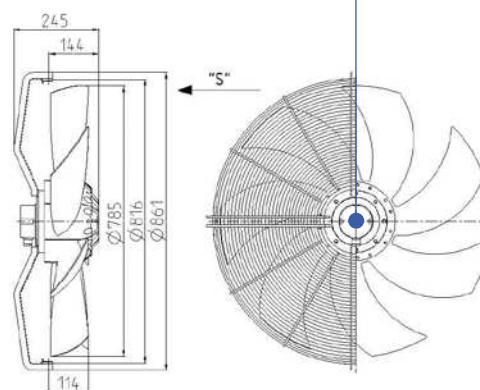
»S«

Type:

R18R-8030HA-12T2-7505

Code:

0318-4-0017



Weight:

34,8 kg

Fan without guard grill

Airflow

Direction

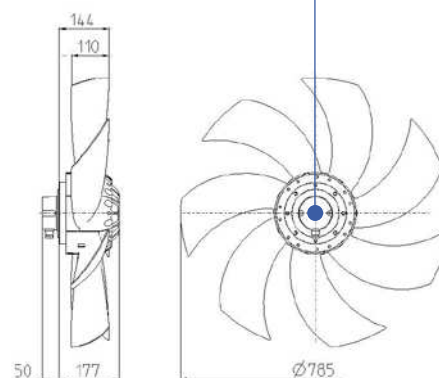
»S«

Type:

R18E-8030HA-12T2-7505

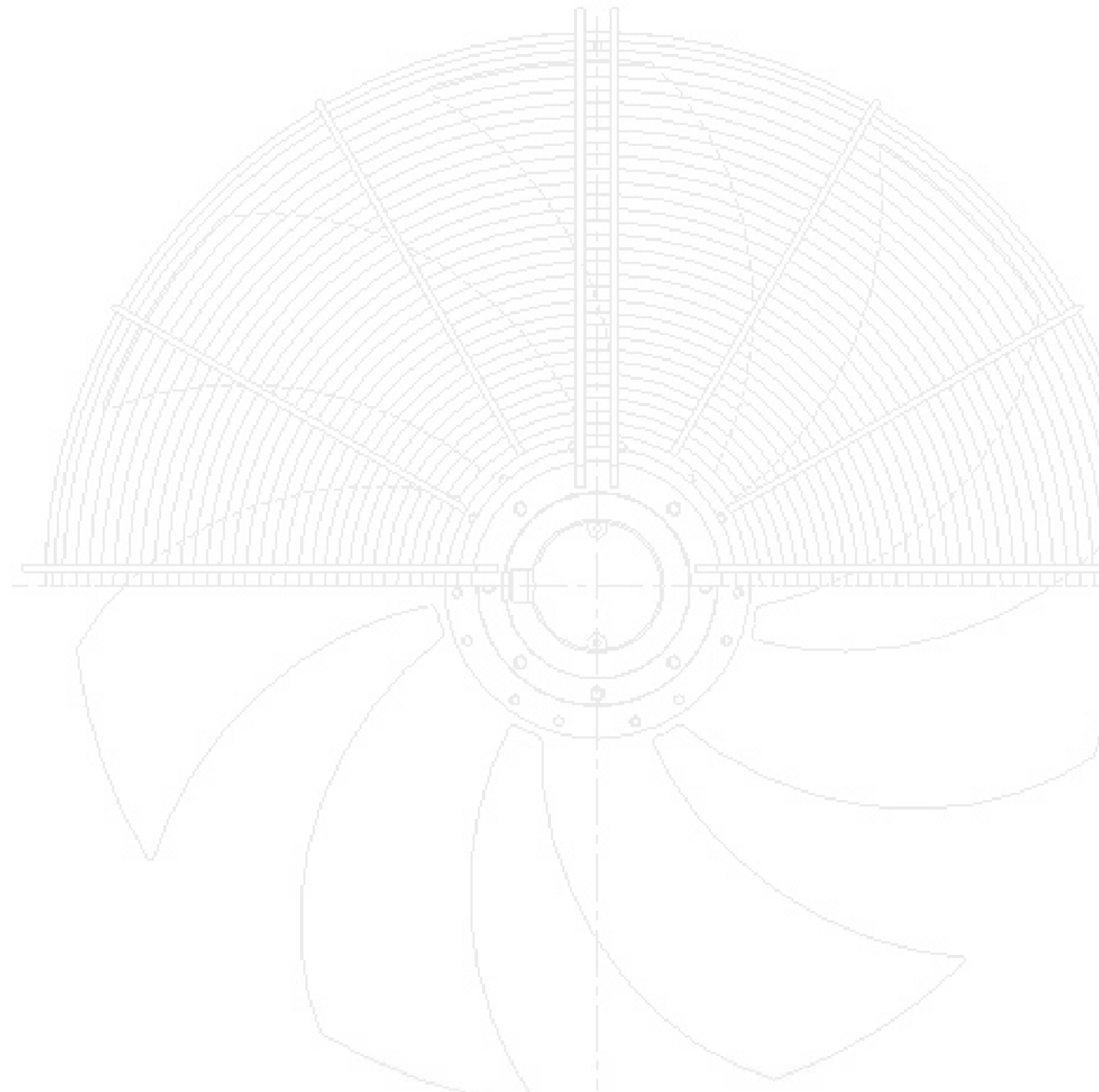
Code:

0318-4-0033



Weight:

29 kg



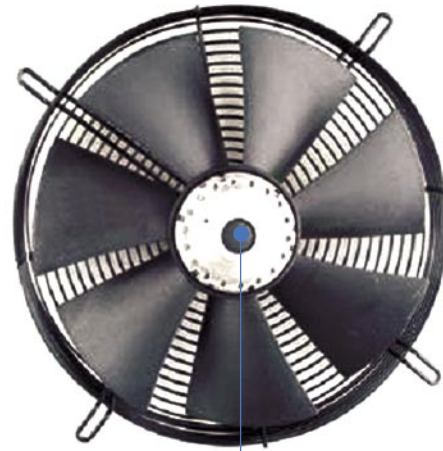
HEF Axial Fans



Example of type key for Axial fans with plastic blades

R11R-40LPS-4M2-3806

- R11** External rotor motor type (R09, R11, R13, R18)
- R** Accessory type (E-without guard grill, R-with guard grill, P-with guard grill and wall plate)
- 40** Fan diameter x 10 (exact diameters are stated in drawings)
- LP** Type of plastic blades (LP, EP, KP)
- S** Airflow direction (S/A - sucking, B/P - blowing)
- 4** Number of poles
- M** Number of phases (M-single phase, T-three phase)
- 2** Number of speeds
- 38** Motor stack height
- 06** Electrical design

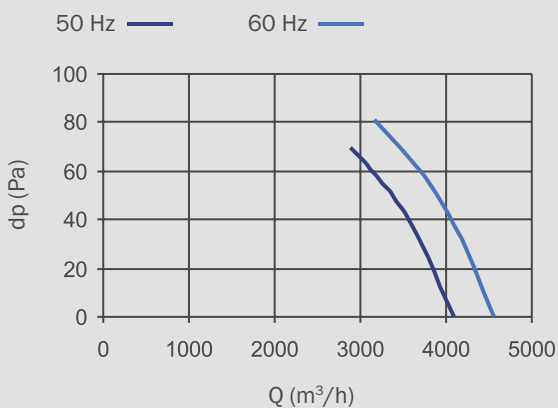


Axial Fans With Plastic Blades



Diameter: 400 mm

Aerodynamic characteristic:



Performance Data:

1~230V 50/60Hz
 P1 = 190/260W
 n = 1310/1450min⁻¹
 I = 0,85/1,10A
 t_R = 60 °C
 Lwa = 73/76dB(A)
 C = 6,3uF / 450V
 Connection: terminal box
 Ins.Cl. F
 IP44

Notes:

Fan characteristic measured in short bell mouth with guard grill

R11_-40LP_-4M-5150

Fan with wall plate

Airflow

Direction

»S«

»B«

Type:

R11P-40LPS-4M-5150

R11P-40LPB-4M-5150

Available on request

Fan with guard grill

Airflow

Direction

»S«

»B«

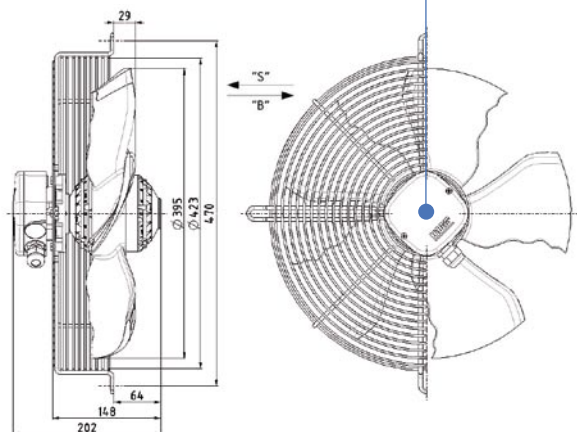
Type:

R11R-40LPS-4M-5150

R11R-40LPB-4M-5150

Code:

0311-4-0313



Weight:
6 kg

Fan without guard grill

Airflow

Direction

»S«

»B«

Type:

R11E-40LPS-4M-5150

R11E-40LPB-4M-5150

Available on request

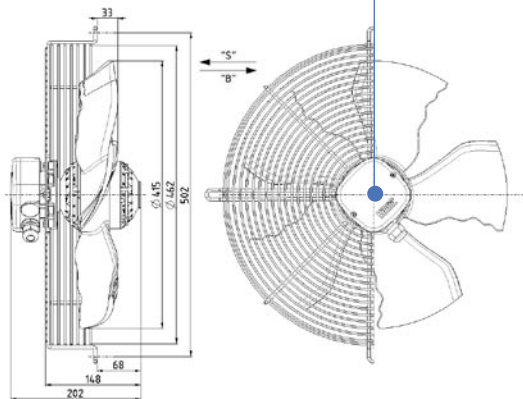
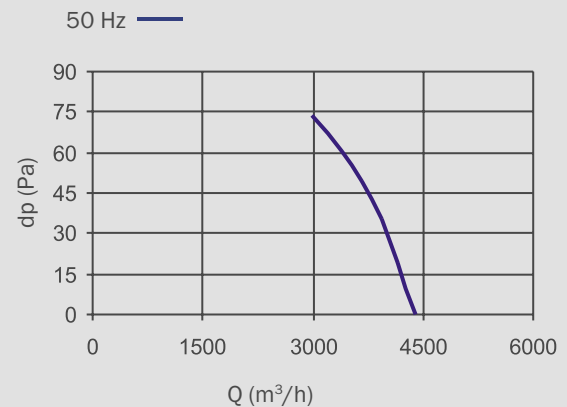
Fan with wall plate**Airflow****Direction**»S«
»B«**Type:**R11P-42LPS-4M-5150
R11P-42LPB-4M-5150

Available on request

R11_-42LP_-4M-5150

**Diameter:** 420 mm**Fan with guard grill****Airflow****Direction**»S«
»B«**Type:**R11R-42LPS-4M-5150
R11R-42LPB-4M-5150**Code:**

0311-4-0312

**Weight:**
6,1 kg**Aerodynamic characteristic:****Fan without guard grill****Airflow****Direction**»S«
»B«**Type:**R11E-42LPS-4M-5150
R11E-42LPB-4M-5150

Available on request

Performance Data:

1~230V 50Hz

P1 = 220W

n = 1280min⁻¹

I = 1,0A

t_R = 60 °C

Lwa = 76dB(A)

C = 6,3uF / 450V

Connection: terminal box

Ins.Cl. F

IP44

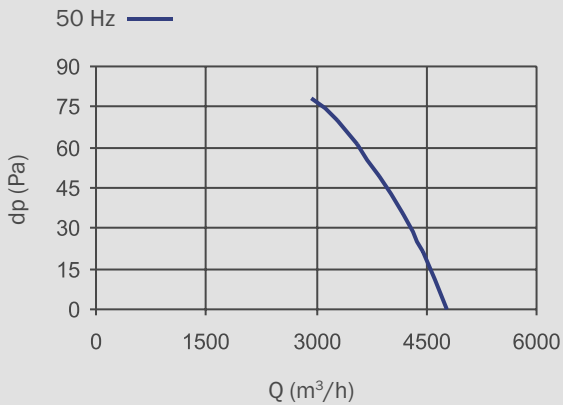
Notes:

Fan characteristic measured in short bell mouth with guard grill



Diameter: 450 mm

Aerodynamic characteristic:



Performance Data:

1~230V 50Hz

$P_1 = 240W$

$n = 1230\text{min}^{-1}$

$I = 1,1A$

$t_R = 50^\circ C$

$L_{wa} = 78\text{dB(A)}$

$C = 6,3\mu F / 450V$

Connection: terminal box

Ins.Cl. F

IP44

Notes:

Fan characteristic measured in short bell mouth with guard grill

R11_-45LP_-4M-5150

Fan with wall plate

Airflow

Direction

»S«

»B«

Type:

R11P-45LPS-4M-5150

R11P-45LPB-4M-5150

Available on request

Fan with guard grill

Airflow

Direction

»S«

»B«

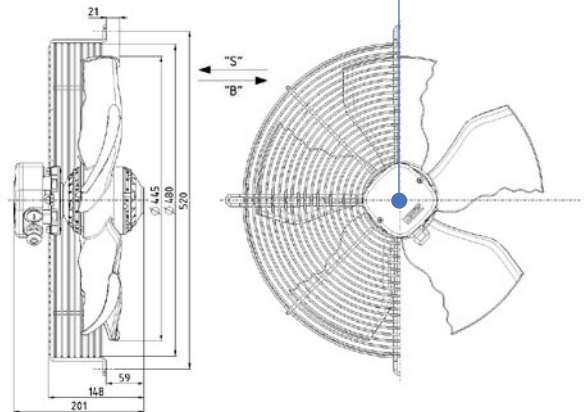
Type:

R11R-45LPS-4M-5150

R11R-45LPB-4M-5150

Code:

0313-4-0314



Weight:

6,4 kg

Fan without guard grill

Airflow

Direction

»S«

»B«

Type:

R11E-45LPS-4M-5150

R11E-45LPB-4M-5150

Available on request

Fan with wall plate**Airflow****Direction****Type:**

»S«

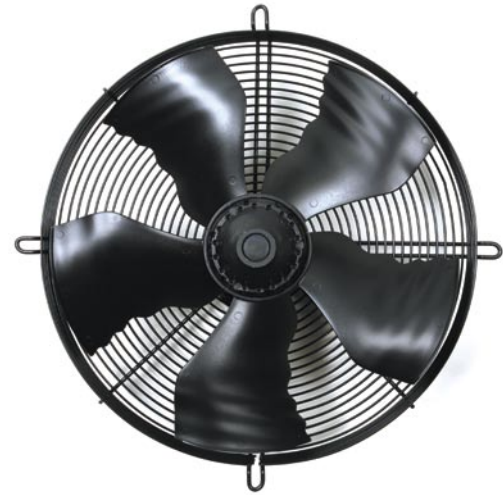
R11P-45LPS-6M-5105

»B«

R11P-45LPB-6M-5105

Available on request

R11_-45LP_-6M-5105

**Diameter:** 450 mm**Fan with guard grill****Airflow****Direction****Type:**

»S«

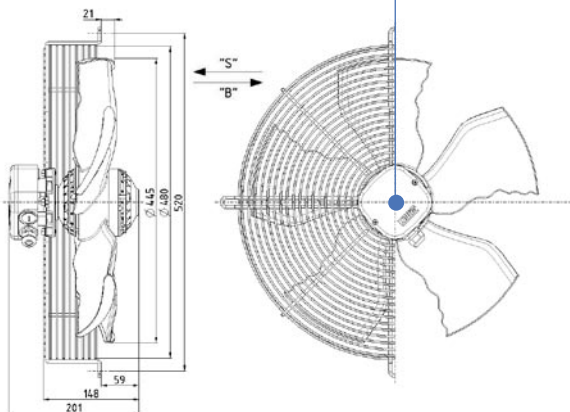
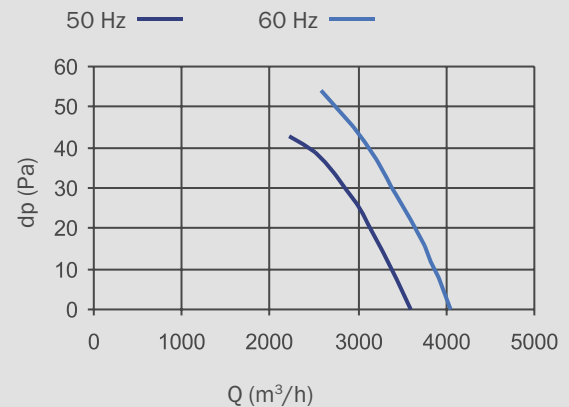
R11R-45LPS-6M-5105

»B«

R11R-45LPB-6M-5105

Code:

0311-4-0300

**Weight:**
6,4 kg**Aerodynamic characteristic:****Fan without guard grill****Airflow****Direction****Type:**

»S«

R11E-45LPS-6M-5105

»B«

R11E-45LPB-6M-5105

Available on request

Performance Data:

1~230V 50/60Hz

 $P_1 = 125/165W$ $n = 900/1020\text{min}^{-1}$ $I = 0,55/0,70A$ $t_R = 50^\circ C$ $L_{wa} = 67 / 70 \text{ dB(A)}$ $C = 5\mu F / 450V$

Connection: terminal box

Ins.Cl. F

IP44

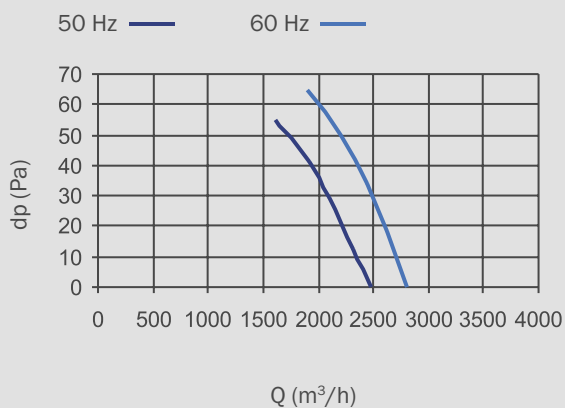
Notes:

Fan characteristic measured in short bell mouth with guard grill



Diameter: 350 mm

Aerodynamic characteristic:



Performance Data:

1~230V 50/60Hz
 $P_1 = 88 / 125W$
 $n = 1380 / 1560\text{min}^{-1}$
 $I = 0,39 / 0,56A$
 $t_R = 55^\circ C$
 $L_{wa} = 65 / 69\text{dB(A)}$
 $C = 4\mu F / 450V$
 Connection: terminal box
 Ins.Cl. F
 IP54

Notes:

Fan characteristic measured in short bell mouth with guard grill

R11_-35KP_-4M-3808

Fan with wall plate

Airflow

Direction

»S«
 »B«

Type:

R11P-35KPA-4M-3808
 R11P-35KPP-4M-3808

Available on request

Fan with guard grill

Airflow

Direction

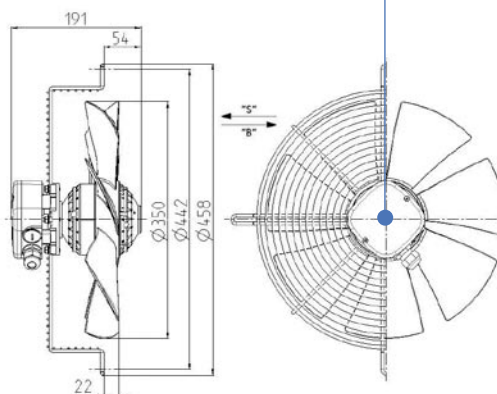
»S«
 »B«

Type:

R11R-35KPA-4M-3808
 R11R-35KPP-4M-3808

Code:

0311-4-0243



Weight:
 5,5 kg

Fan without guard grill

Airflow

Direction

»S«
 »B«

Type:

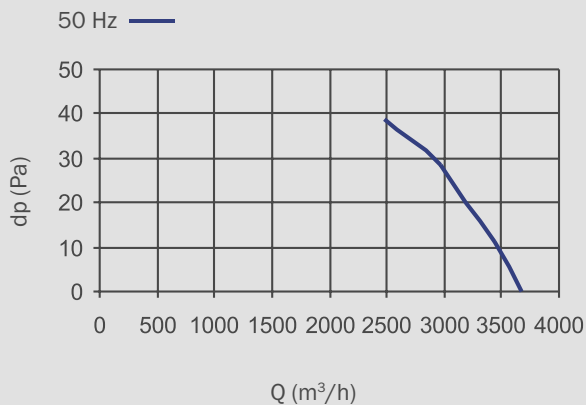
R11E-35KPA-4M-3808
 R11E-35KPP-4M-3808

Available on request



Diameter: 450 mm

Aerodynamic characteristic:



Performance Data:

1~230V 50Hz
 $P_1 = 125W$
 $n = 850\text{min}^{-1}$
 $I = 0,54A$
 $t_R = 50^\circ C$
 $L_{wa} = 68\text{dB(A)}$
 $C = 5\mu F / 450V$
 Connection: cable
 Ins.Cl. F
 IP44

Notes:

Fan characteristic measured in short bell mouth with guard grill

R11_-45EPA-6M-5105

Fan with wall plate

Airflow

Direction

- »S«
- »B«

Type:

R11P-45EPA-6M-5105
 R11P-45EPP-6M-5105

Available on request

Fan with guard grill

Airflow

Direction

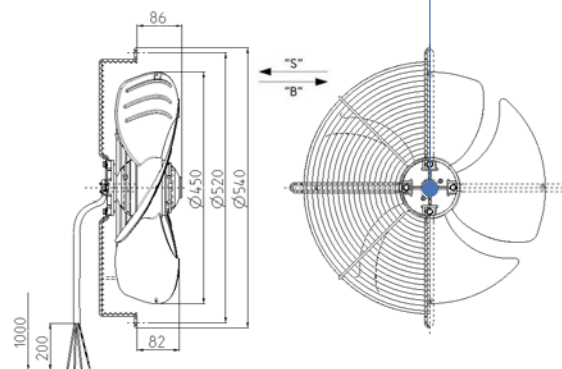
- »S«
- »B«

Type:

R11R-45EPA-6M-5105
 R11R-45EPP-6M-5105

Code:

0311-4-0111



Weight:
6,2 kg

Fan without guard grill

Airflow

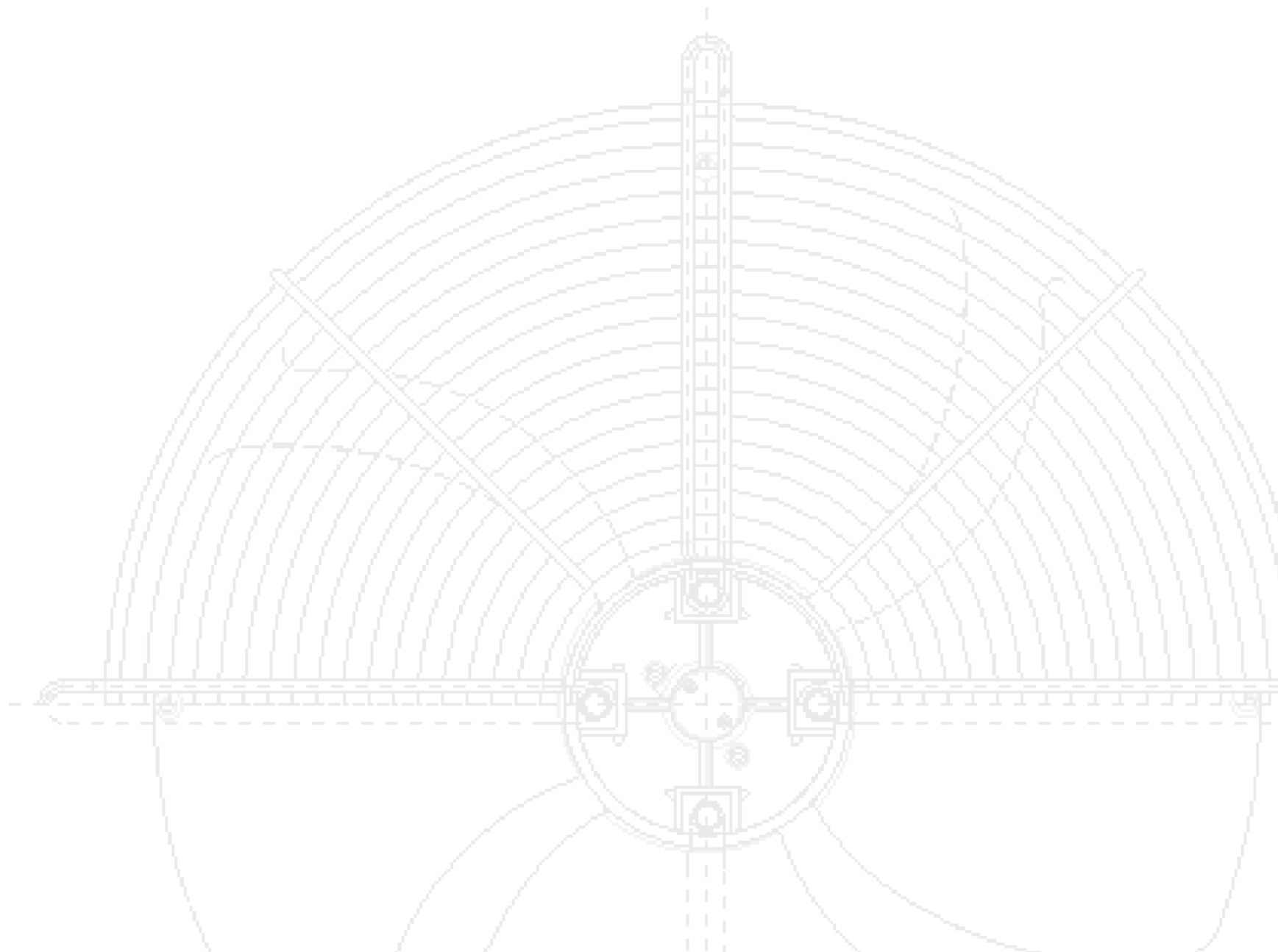
Direction

- »S«
- »B«

Type:

R11E-45EPA-6M-5105
 R11E-45EPP-6M-5105

Available on request

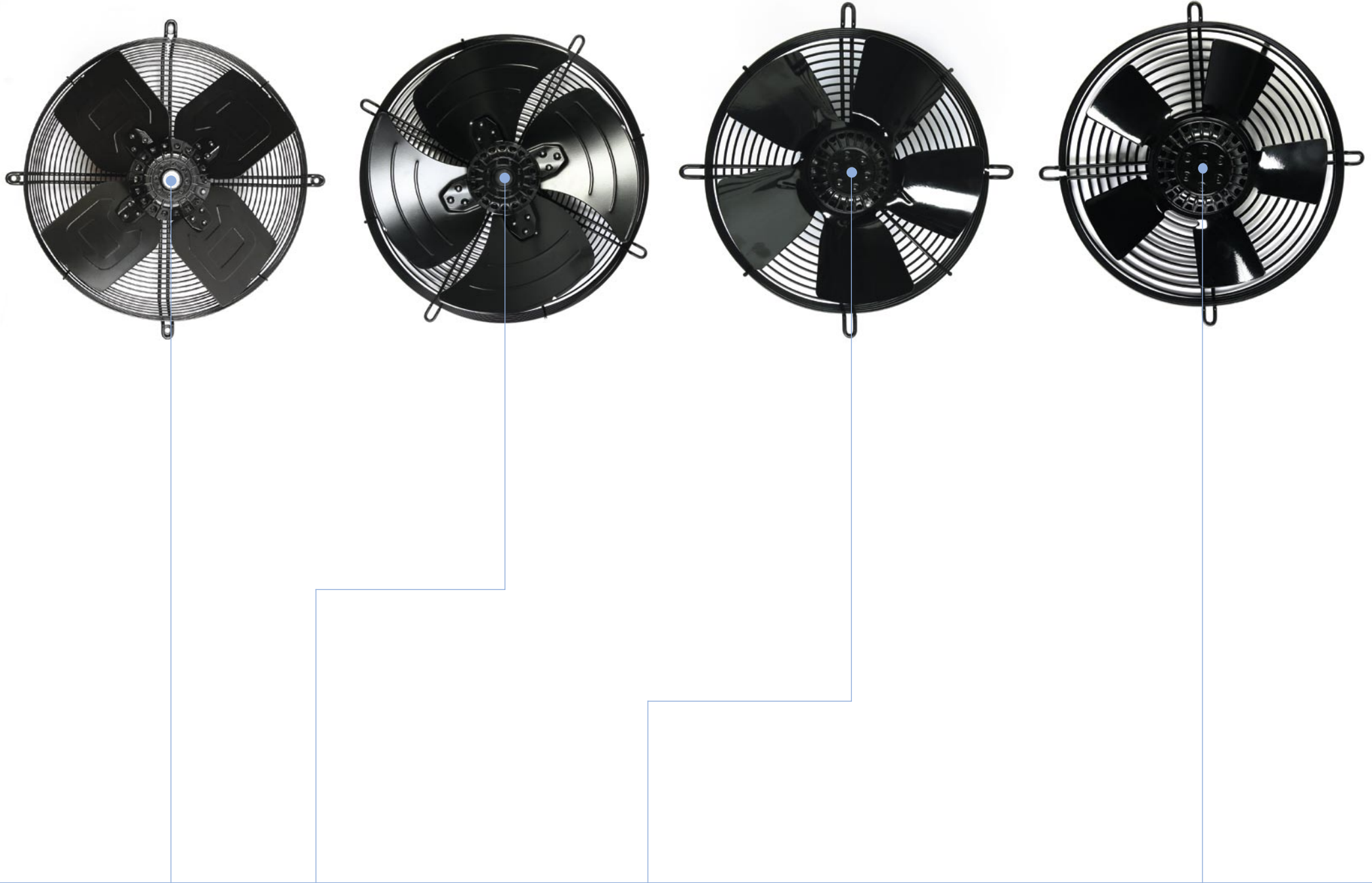


Axial Fans With Plastic Blades

Type key for Axial fans (example)

R09R-3532A-4T2-4200

- R09** External rotor motor type (R09, R11, R13, R18)
- R** Accessory type (E-without guard grill, R-with guard grill, P-with guard grill and wall plate)
- 35** Fan diameter x 10 (exact diameters are stated in drawings)
- 32** Blade angle
- A** Airflow direction (A-sucking, P-blowing)
- 4** Number of poles
- T** Number of phases (M-single phase, T-three phase)
- 2** Number of speeds
- 42** Motor stack height
- 00** Electrical design



Axial Fans



Diameter: 200 mm

R09_-2025_-2M-1511

Fan with wall plate

Airflow

Direction Type:

»S«

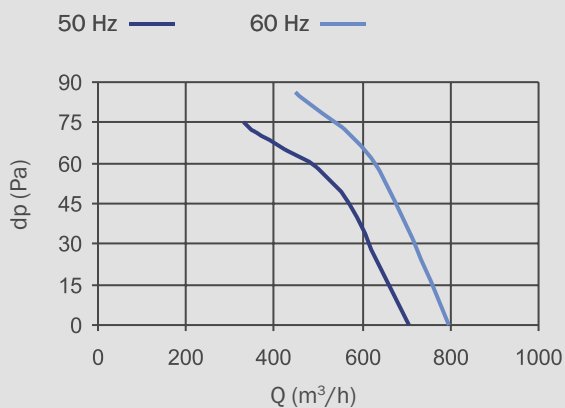
R09P-2025A-2M-1511

»B«

R09P-2025P-2M-1511

Available on request

Aerodynamic characteristic:



Performance Data:

1~230V 50/60Hz

$P_1 = 45 / 55W$

$n = 2580 / 2850\text{min}^{-1}$

$I = 0,21 / 0,24A$

$t_R = 70^\circ C$

$L_{wa} = 65,7 / 69\text{dB(A)}$

$C = 1,5\mu F / 450V$

Connection: cable

Ins.Cl. F

IP44

Notes:

Fan characteristic measured in full bell mouth with guard grill

Fan with guard grill

Airflow

Direction Type:

»S«

R09R-2025A-2M-1511

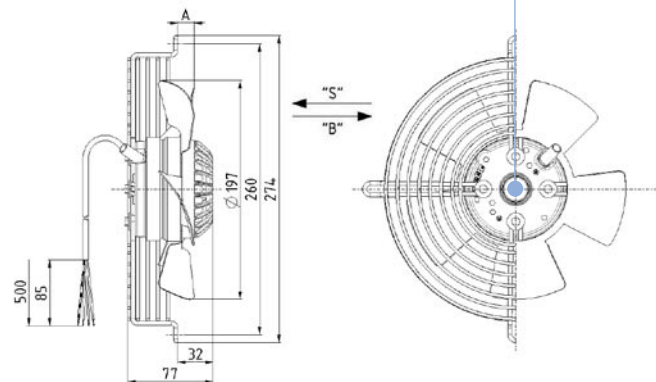
»B«

R09R-2025P-2M-1511

Code:

0309-4-0190

0309-4-0214



»S« Dimension A = 13 mm

»B« Dimension A = 47 mm

Weight:

1,6 kg

Fan without guard grill

Airflow

Direction Type:

»S«

R09E-2025A-2M-1511

»B«

R09E-2025P-2M-1511

Available on request

Fan with wall plate**Airflow****Direction****Type:**

»S« R09P-2025A-4M-2516

»B« R09P-2025P-4M-2516

Available on request

R09_-2025_-4M-2516

**Diameter:** 200 mm**Fan with guard grill****Airflow****Direction****Type:**

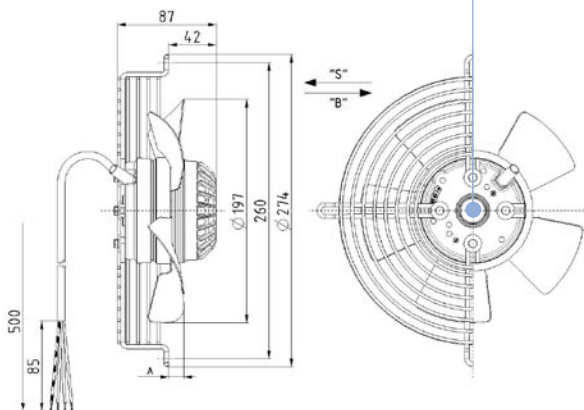
»S« R09R-2025A-4M-2516

»B« R09R-2025P-4M-2516

Code:

0309-4-0213

0309-4-0215



»S« Dimension A = 13 mm

»B« Dimension A = 47 mm

Weight:

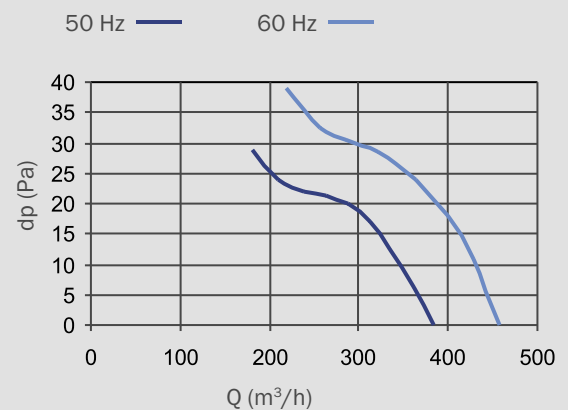
1,9 kg

Fan without guard grill**Airflow****Direction****Type:**

»S« R09E-2025A-4M-2516

»B« R09E-2025P-4M-2516

Available on request

Aerodynamic characteristic:**Performance Data:**

1~230V 50/60Hz

 $P_1 = 30 / 38W$ $n = 1430 / 1680\text{min}^{-1}$ $I = 0,14 / 0,17A$ $t_R = 65^\circ C$ $L_{wa} = 52 / 54\text{dB(A)}$ $C = 1,5\mu F / 450V$

Connection: cable

Ins.Cl. F

IP44

Notes:

Fan characteristic measured in full bell mouth with guard grill



Diameter: 250 mm

R09_-2525P-2M-3510

Fan with wall plate

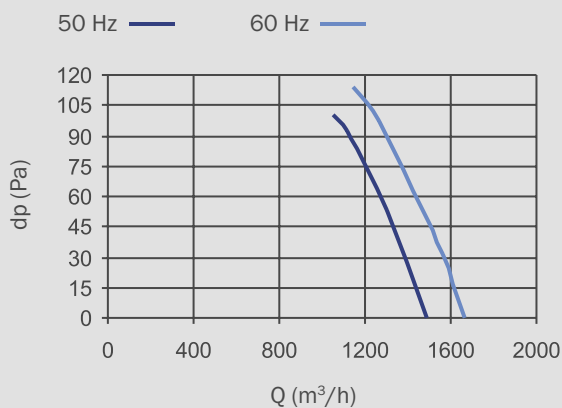
Airflow

Direction Type:

- »S« R09P-2525A-2M-3510
- »B« R09P-2525P-2M-3510

Available on request

Aerodynamic characteristic:



Performance Data:

1~230V 50/60Hz
 $P_1 = 95 / 130W$
 $n = 2700 / 2950min^{-1}$
 $I = 0,44 / 0,58A$
 $t_R = 50^\circ C$
 $Lwa = 71,5 / 73dB(A)$
 $C = 4\mu F / 450V$
 Connection: cable
 Ins.Cl. F
 IP44

Notes:

Fan characteristic measured in full bell mouth with guard grill

Fan with guard grill

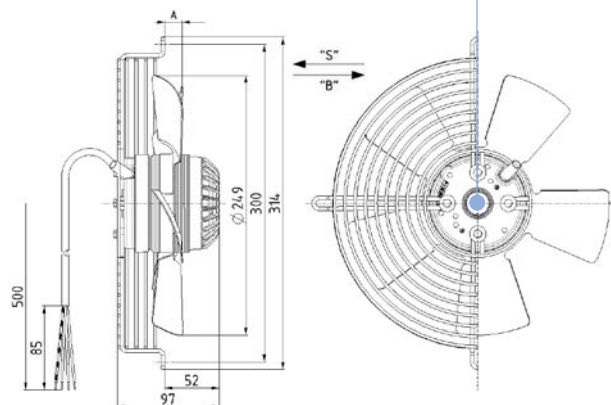
Airflow

Direction Type:

- »S« R09R-2525A-2M-3510
- »B« R09R-2525P-2M-3510

Code:

0309-4-0198
 0309-4-0216



- »S« Dimension A = 12 mm
- »B« Dimension A = 48 mm

Weight:
 2,5 kg

Fan without guard grill

Airflow

Direction Type:

- »S« R09E-2525A-2M-3510
- »B« R09E-2525P-2M-3510

Available on request

Fan with wall plate**Airflow****Direction****Type:**

- »S« R09P-2525A-4M-2516
 »B« R09P-2525P-4M-2516

Available on request

R09_-2525_-4M-2516



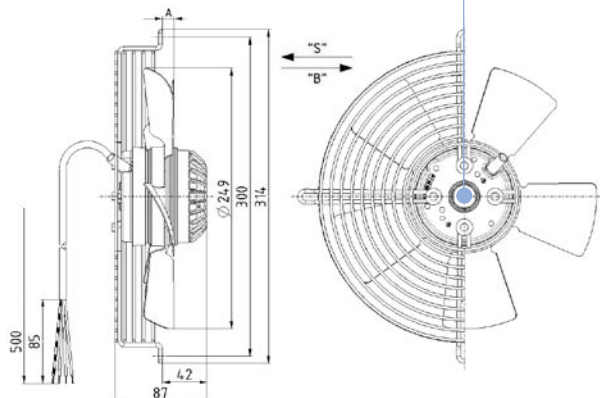
Diameter: 250 mm

Fan with guard grill**Airflow****Direction****Type:**

- »S« R09R-2525A-4M-2516
 »B« R09P-2525P-4M-2516

Code:

- 0309-4-0199
 0309-4-0217



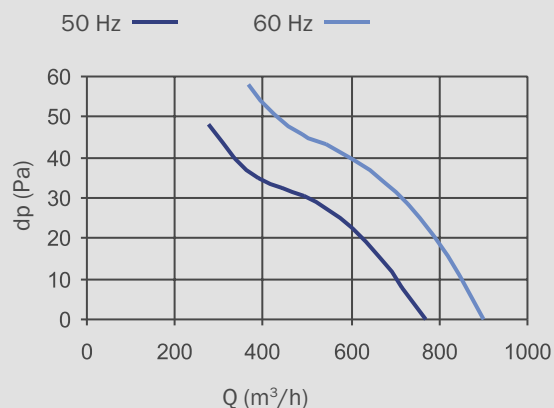
- »S« Dimension A = 12 mm
 »B« Dimension A = 48 mm

Weight:
 2,1 kg

Fan without guard grill**Airflow****Direction****Type:**

- »S« R09E-2525A-4M-2516
 »B« R09E-2525P-4M-2516

Available on request

Aerodynamic characteristic:**Performance Data:**

1~230V 50/60Hz
 $P_1 = 35 / 44W$
 $n = 1430 / 1680min^{-1}$
 $I = 0,16 / 0,18A$
 $t_R = 70^{\circ}C$
 $Lwa = 58,5 / 61dB(A)$
 $C = 1,5uF / 450V$
 Connection: cable
 Ins.Cl. F
 IP44

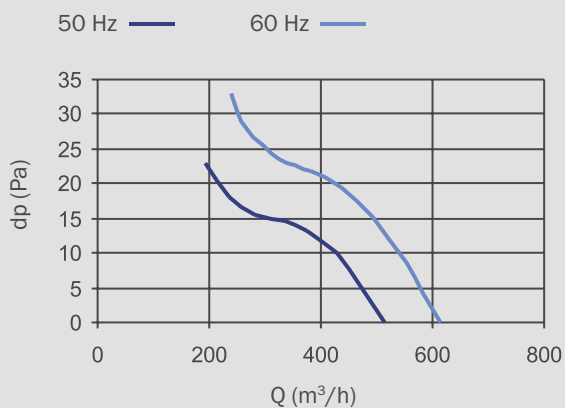
Notes:

Fan characteristic measured in full bell mouth with guard grill



Diameter: 250 mm

Aerodynamic characteristic:



Performance Data:

1~230V 50/60Hz
 $P_1 = 36 / 41W$
 $n = 980 / 1160\text{min}^{-1}$
 $I = 0,16 / 0,18A$
 $t_R = 55^\circ C$
 $L_{wa} = 43,7 / 45\text{dB(A)}$
 $C = 1,5\mu F / 450V$
 Connection: cable
 Ins.Cl. F
 IP44

Notes:

Fan characteristic measured in full bell mouth with guard grill

Fan with wall plate

Airflow

Direction Type:

»S« R09P-2525A-6M-2515
 »B« R09P-2525P-6M-2515

R09_-2525_-6M-2515

Available on request

Fan with guard grill

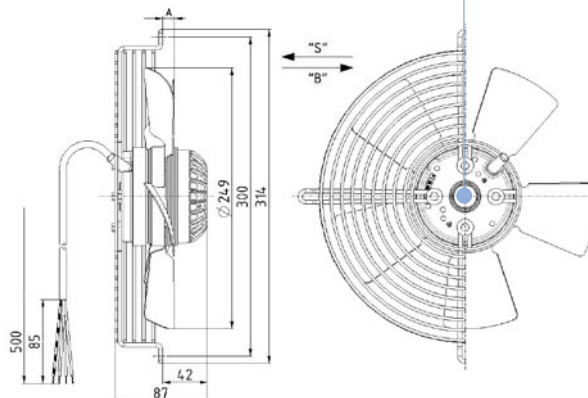
Airflow

Direction Type:

»S« R09R-2525A-6M-2515
 »B« R09R-2525P-6M-2515

Code:

0309-4-0191
 0309-4-0218



»S« Dimension A = 12 mm

»B« Dimension A = 48 mm

Weight:

2,1 kg

Fan without guard grill

Airflow

Direction Type:

»S« R09E-2525A-6M-2515
 »B« R09E-2525P-6M-2515

Available on request

Fan with wall plate

Airflow

Direction

Type:

- »S« R09P-2528A-4M-2516
- »B« R09P-2528P-4M-2516

Available on request

R09_-2528_-4M-2516



Diameter: 250 mm

Fan with guard grill

Airflow

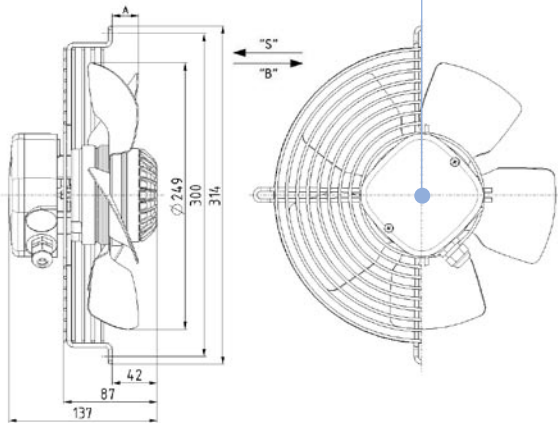
Direction

Type:

- »S« R09R-2528A-4M-2516
- »B« R09R-2528P-4M-2516

Code:

- 0309-4-0211
- 0309-4-0261



- »S« Dimension A = 27 mm
- »B« Dimension A = 27 mm

Weight:
3,4 kg

Fan without guard grill

Airflow

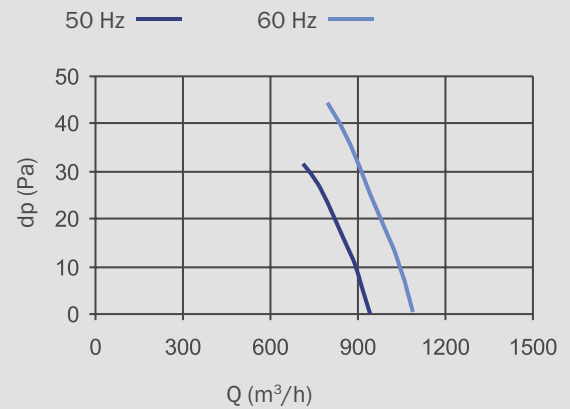
Direction

Type:

- »S« R09E-2528A-4M-2516
- »B« R09E-2528P-4M-2516

Available on request

Aerodynamic characteristic:



Performance Data:

- 1~230V 50/60Hz
- $P_1 = 40 / 52W$
- $n = 1360 / 1550min^{-1}$
- $I = 0,17 / 0,22A$
- $t_R = 70^\circ C$
- $Lwa = 60 / 62,5dB(A)$
- $C = 1,5uF / 450V$
- Connection: terminal box
- Ins.Cl. F
- IP54

Notes:

Fan characteristic measured in short bell mouth with guard grill



Diameter: 300 mm

R09_-3028_-4M-3509

Fan with wall plate

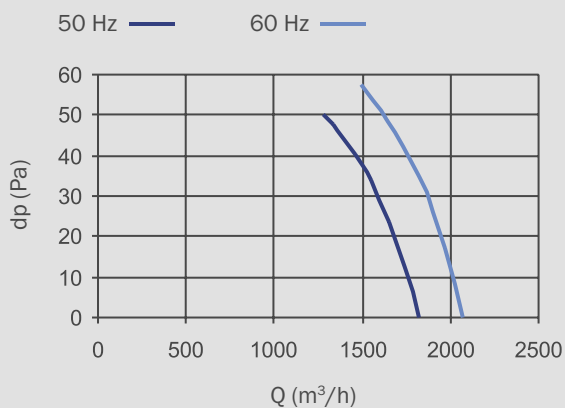
Airflow

Direction Type:

- »S« R09P-3028A-4M-3509
- »B« R09P-3028P-4M-3509

Available on request

Aerodynamic characteristic:



Performance Data:

1~230V 50/60Hz
 $P_1 = 74 / 92W$
 $n = 1330 / 1470\text{min}^{-1}$
 $I = 0,34 / 0,40A$
 $t_R = 50^\circ C$
 $L_{wa} = 67 / 70\text{dB(A)}$
 $C = 2,5\mu F / 450V$
 Connection: terminal box
 Ins.Cl. F
 IP54

Notes:

Fan characteristic measured in short bell mouth with guard grill

Fan with guard grill

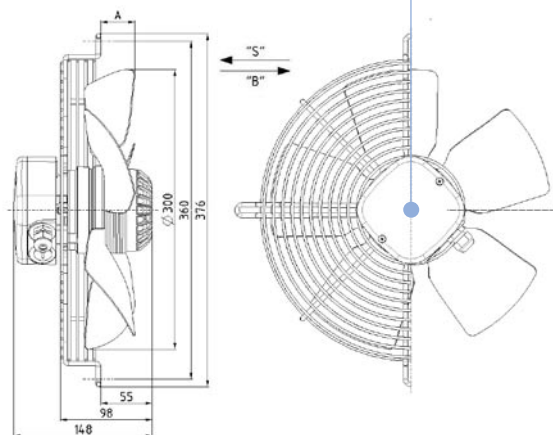
Airflow

Direction Type:

- »S« R09R-3028A-4M-3509
- »B« R09R-3028P-4M-3509

Code:

0309-4-0100
 0309-4-0121



- »S« Dimension A = 39 mm
- »B« Dimension A = 39 mm

Weight:
 3,4 kg

Fan without guard grill

Airflow

Direction Type:

- »S« R09E-3028A-4M-3509
- »B« R09E-3028P-4M-3509

Available on request

Fan with wall plate**Airflow****Direction****Type:**

»S«

R09P-3028A-4T-2513

»B«

R09P-3028P-4T-2513

Available on request

R09_-3028_-4T-2513

**Diameter:** 300 mm**Fan with guard grill****Airflow****Direction****Type:**

»S«

R09R-3028A-4T-2513

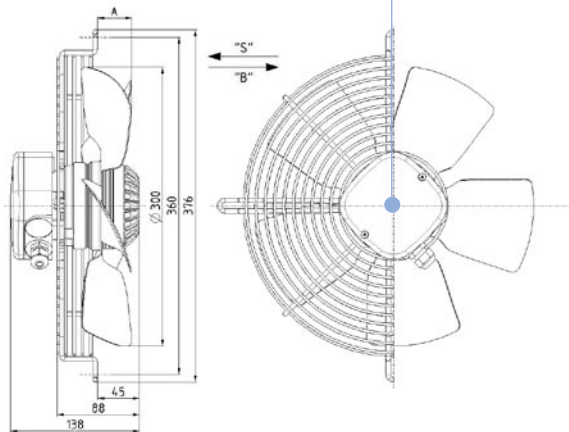
»B«

R09R-3028P-4T-2513

Code:

0309-4-0059

0309-4-0035



»S« Dimension A = 39 mm

»B« Dimension A = 39 mm

Weight:

3 kg

Fan without guard grill**Airflow****Direction****Type:**

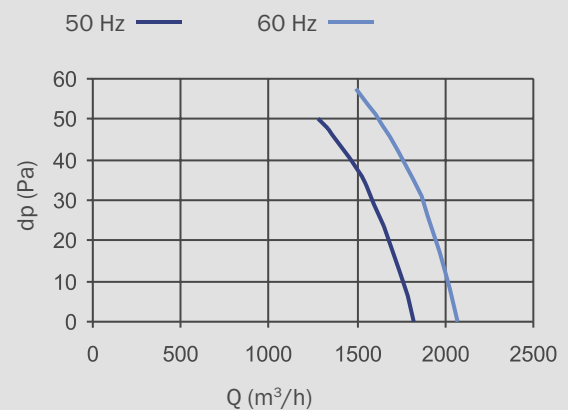
»S«

R09E-3028A-4T-2513

»B«

R09E-3028P-4T-2513

Available on request

Aerodynamic characteristic:**Performance Data:**

3~230 / 400V 50/60Hz

 $P_1 = 72 / 81W$ $n = 1300 / 1440\text{min}^{-1}$ $I = 0,31 / 0,18A / 0,28 / 0,16A$ $t_R = 50^\circ\text{C}$

LWA = 66 / 69dB(A)

Connection: terminal box

Ins.Cl. F

IP54

Notes:

Fan characteristic measured in short bell mouth with guard grill



Diameter: 315 mm

R09_-3132_-4M-3509

Fan with wall plate

Airflow

Direction Type:

»S«

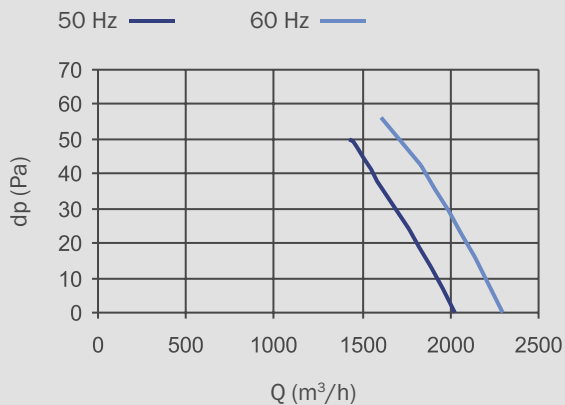
R09P-3132A-4M-3509

»B«

R09P-3132P-4M-3509

Available on request

Aerodynamic characteristic:



Performance Data:

1~230V 50/60Hz

$P_1 = 86 / 117W$

$n = 1340 / 1490\text{min}^{-1}$

$I = 0,38 / 0,51A$

$t_R = 55 / 45^\circ C$

$L_{wa} = 68 / 72\text{dB(A)}$

$C = 3,15\mu F / 450V$

Connection: terminal box

Ins.Cl. F

IP54

Notes:

Fan characteristic measured in short bell mouth with guard grill

Fan with guard grill

Airflow

Direction Type:

»S«

R09R-3132A-4M-3509

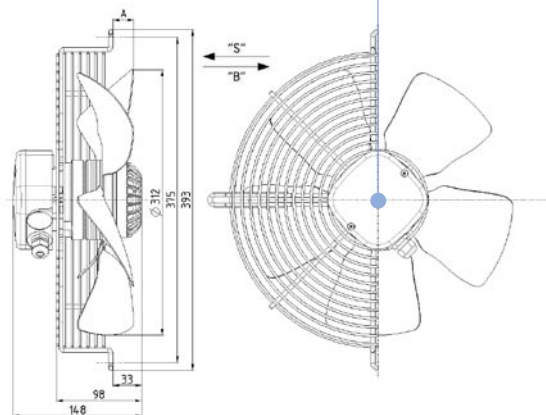
»B«

R09R-3132P-4M-3509

Code:

0309-4-0048

0309-4-0075



»S« Dimension A = 27 mm

»B« Dimension A = 32 mm

Weight:

3,5 kg

Fan without guard grill

Airflow

Direction Type:

»S«

R09E-3132A-4M-3509

»B«

R09E-3132P-4M-3509

Available on request

Fan with wall plate

Airflow

Direction

Type:

- »S« R09P-3132A-4T-3524
- »B« R09P-3132P-4T-3524

Available on request

R09_-3132_-4T-3524



Diameter: 315 mm

Fan with guard grill

Airflow

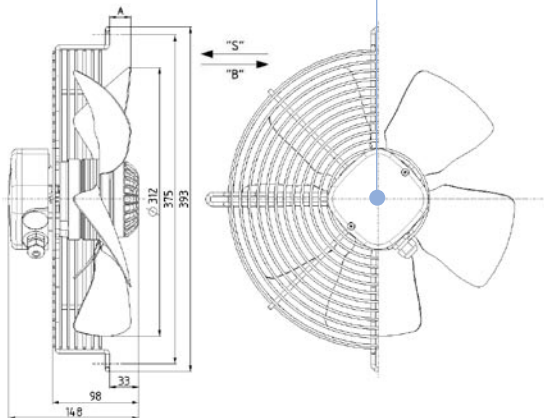
Direction

Type:

- »S« R09R-3132A-4T-3524
- »B« R09R-3132P-4T-3524

Code:

- 0309-4-0130
- 0309-4-0091



- »S« Dimension A = 27 mm
- »B« Dimension A = 32 mm

Weight:
4 kg

Fan without guard grill

Airflow

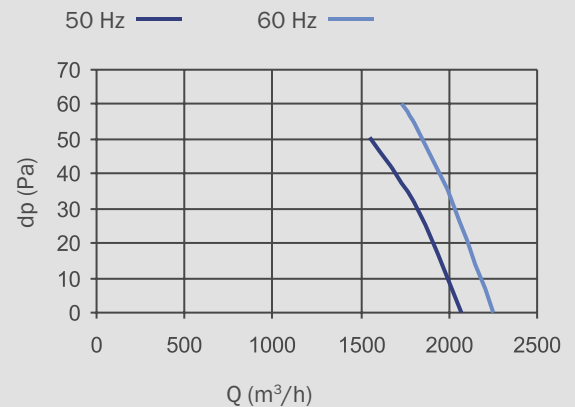
Direction

Type:

- »S« R09E-3132A-4T-3524
- »B« R09E-3132P-4T-3524

Available on request

Aerodynamic characteristic:



Performance Data:

- 3~230 / 400V 50/60Hz
- $P_1 = 80 / 102W$
- $n = 1350 / 1500min^{-1}$
- $I = 0,34 / 0,20A / 0,33 / 0,19A$
- $t_R = 65^\circ C$
- $Lwa = 68 / 72dB(A)$
- Connection: terminal box
- Ins.Cl. F
- IP54

Notes:

Fan characteristic measured in short bell mouth with guard grill



Diameter: 330 mm

R09_-3332_-4M-4228

Fan with wall plate

Airflow

Direction Type:

»S«

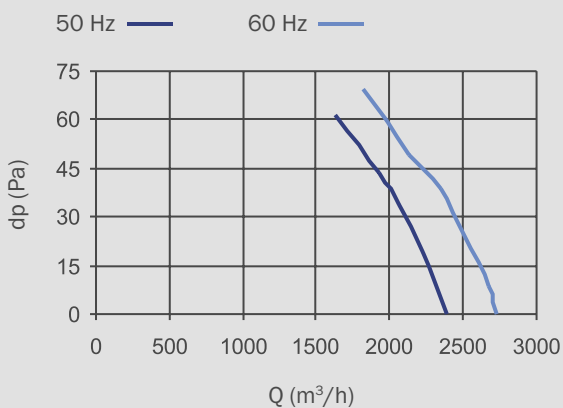
R09P-3332A-4M-4228

»B«

R09P-3332P-4M-4228

Available on request

Aerodynamic characteristic:



Performance Data:

1~230V 50/60Hz

$P_1 = 130 / 170W$

$n = 1330 / 1480min^{-1}$

$I = 0,58 / 0,78A$

$t_R = 60^\circ C$

$L_{wa} = 70 / 72dB(A)$

$C = 4\mu F / 450V$

Connection: terminal box

Ins.Cl. F

IP54

Notes:

Fan characteristic measured in short bell mouth with guard grill

Fan with guard grill

Airflow

Direction Type:

»S«

R09R-3332A-4M-4228

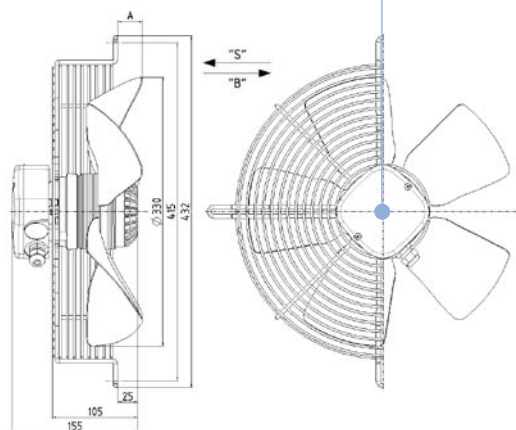
»B«

R09R-3332P-4M-4228

Code:

0309-4-0264

0309-4-0265



»S« Dimension A = 34 mm

»B« Dimension A = 34 mm

Weight:

3,5 kg

Fan without guard grill

Airflow

Direction Type:

»S«

R09E-3332A-4M-4228

»B«

R09E-3332P-4M-4228

Available on request

Fan with wall plate**Airflow****Direction****Type:**

»S«

R09P-3532A-4M-4200

»B«

R09P-3532P-4M-4200

Available on request

R09_-3532_-4M-4200

**Diameter:** 350 mm**Fan with guard grill****Airflow****Direction****Type:**

»S«

R09R-3532A-4M-4200

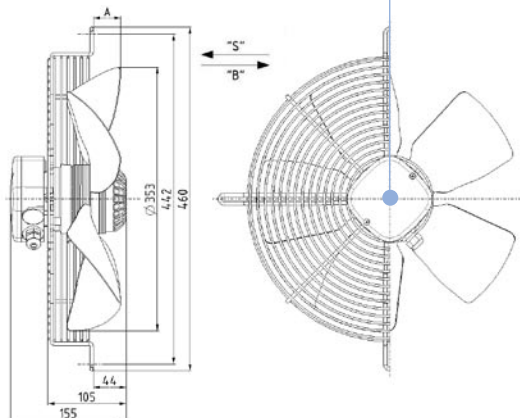
»B«

R09R-3532P-4M-4200

Code:

0309-4-0108

0309-4-0221



»S« Dimension A = 40 mm

»B« Dimension A = 40 mm

Weight:
4 kg**Fan without guard grill****Airflow****Direction****Type:**

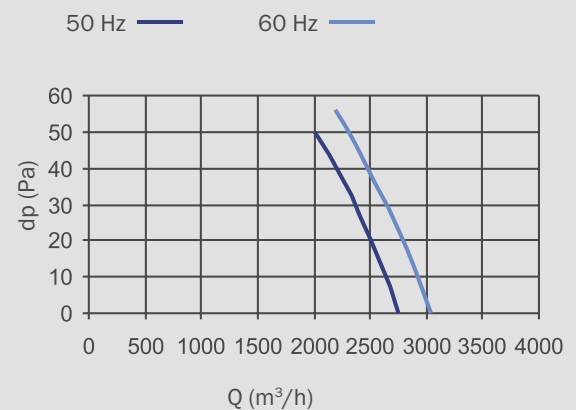
»S«

R09E-3532A-4M-4200

»B«

R09E-3532P-4M-4200

Available on request

Aerodynamic characteristic:**Performance Data:**

1~230V 50/60Hz

 $P_1 = 155 / 158W$ $n = 1270 / 1390\text{min}^{-1}$ $I = 0,75 / 0,68A$ $t_R = 50^\circ C$ $L_{wa} = 71 / 73\text{dB(A)}$ $C = 5\mu F / 450V$

Connection: terminal box

Ins.Cl. F

IP54

Notes:

Fan characteristic measured in short bell mouth with guard grill



R09_-3532_-4T-4203

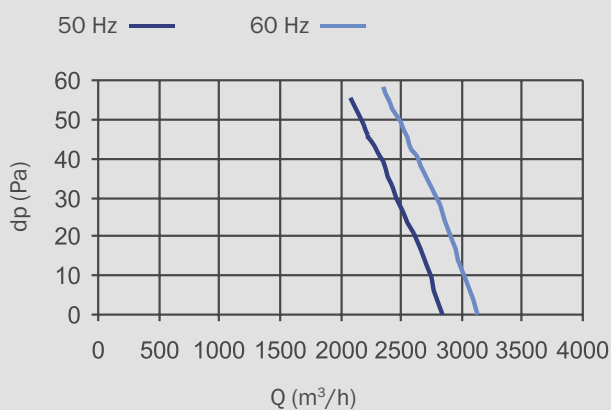
Fan with wall plate**Airflow****Direction**

- »S«
- »B«

Type:

R09P-3532A-4T-4203
R09P-3532P-4T-4203

Available on request

Diameter: 350 mm**Aerodynamic characteristic:****Performance Data:**

3~230 / 400V 50/60Hz

 $P_1 = 135 / 165W$ $n = 1340 / 1460\text{min}^{-1}$ $I = 0,55 / 0,31A$ $t_R = 50^\circ C$

Lwa = 72 / 75dB(A)

Connection: terminal box

Ins.Cl. F

IP54

Notes:

Fan characteristic measured in short bell mouth with guard grill

Fan with guard grill**Airflow****Direction**

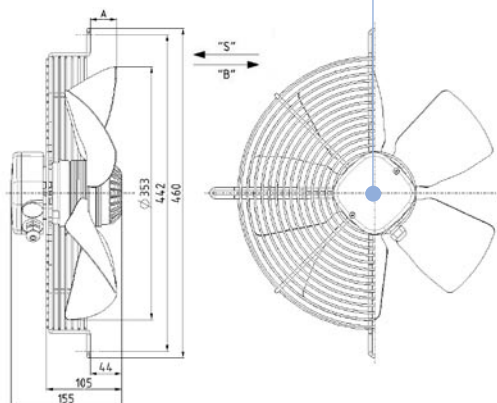
- »S«
- »B«

Type:

R09R-3532A-4T-4203
R09R-3532P-4T-4203

Code:

0309-4-0222
0309-4-0223



»S« Dimension A = 40 mm

»B« Dimension A = 40 mm

Weight:

4 kg

Fan without guard grill**Airflow****Direction**

- »S«
- »B«

Type:

R09E-3532A-4T-4203
R09E-3532P-4T-4203

Available on request

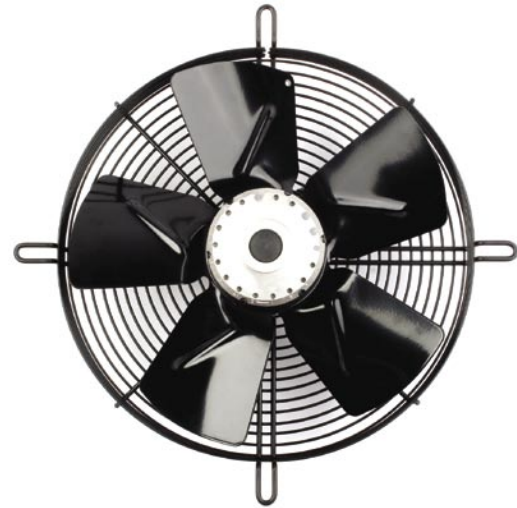
Fan with wall plate**Airflow****Direction Type:**

»S« R11P-3530A-4M-3119

»B« R11P-3530P-4M-3119

Available on request

R11_-3530_-4M-3119

**Diameter:** 350 mm**Fan with guard grill****Airflow****Direction Type:**

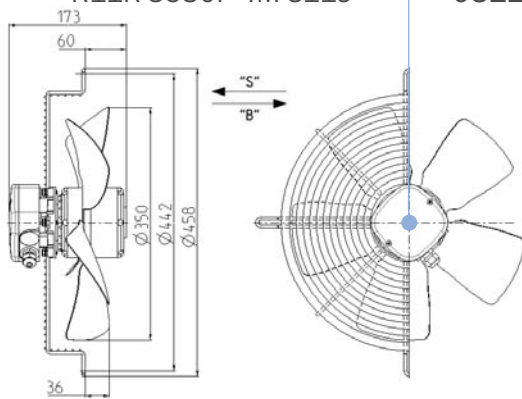
»S« R11R-3530A-4M-3119

»B« R11R-3530P-4M-3119

Code:

0311-4-0196

0311-4-0157



»S« Dimension A = 36 mm

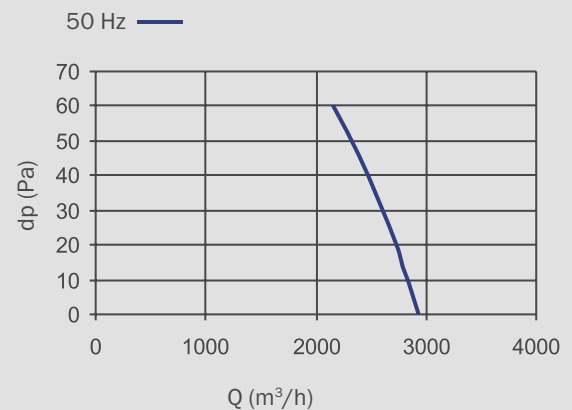
»B« Dimension A = 36 mm

Weight:
5 kg**Fan without guard grill****Airflow****Direction Type:**

»S« R09E-3530A-4M-3119

»B« R09E-3530P-4M-3119

Available on request

Aerodynamic characteristic:**Performance Data:**

1~230V 50Hz

 $P_1 = 128W$ $n = 1370 / \text{min}^{-1}$ $I = 0,56A$ $t_R = 60^\circ C$ $L_{wa} = 67\text{dB(A)}$ $C = 5\mu F / 450V$

Connection: terminal box

Ins.Cl. F

IP54

Notes:

Fan characteristic measured in short bell mouth with guard grill



Diameter: 400 mm

R11_-4025_-4M-5137

Fan with wall plate

Airflow

Direction Type:

»S«

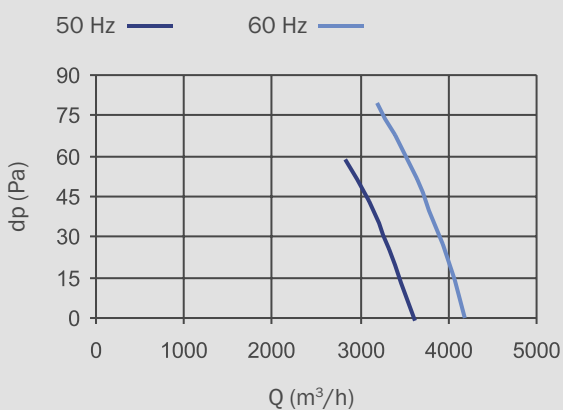
R11P-4025A-4M-5137

»B«

R11P-4025P-4M-5137

Available on request

Aerodynamic characteristic:



Performance Data:

1~230V 50/60Hz

$P_1 = 170 / 205W$

$n = 1370 / 1570\text{min}^{-1}$

$I = 0,82 / 0,89A$

$t_R = 65 / 45^\circ C$

$L_{wa} = 71 / 74\text{dB(A)}$

$C = 6,3\mu F / 450V$

Connection: terminal box

Ins.Cl. F

IP54

Notes:

Fan characteristic measured in short bell mouth with guard grill

Fan with guard grill

Airflow

Direction Type:

»S«

R11R-4025A-4M-5137

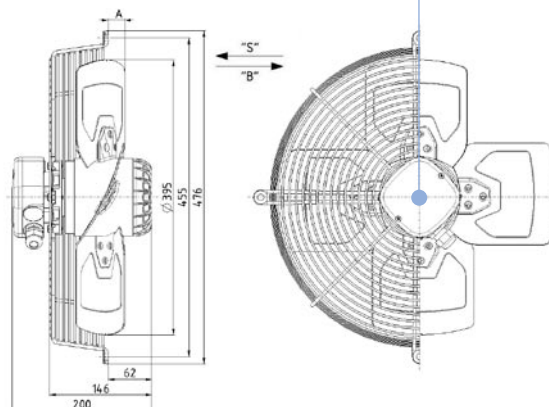
»B«

R11R-4025P-4M-5137

Code:

0311-4-0194

0311-4-0195



»S« Dimension A = 33 mm

»B« Dimension A = 48 mm

Weight:

6.1 kg

Fan without guard grill

Airflow

Direction Type:

»S«

R11E-4025A-4M-5137

»B«

R11E-4025P-4M-5137

Available on request

Fan with wall plate**Airflow****Direction****Type:**

- »S« R11P-4030A-4M-5137
 »B« R11P-4030P-4M-5137

Available on request

R11_-4030_-4M-5137



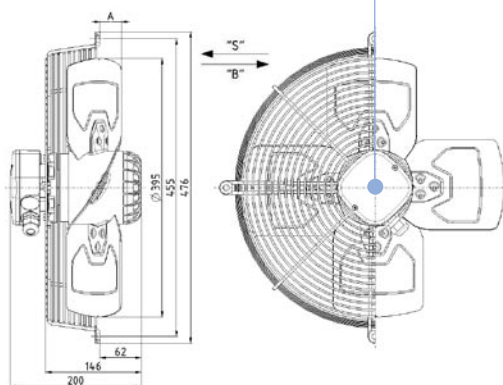
Diameter: 400 mm

Fan with guard grill**Airflow****Direction****Type:**

- »S« R11R-4030A-4M-5137
 »B« R11R-4030P-4M-5137

Code:

- 0311-4-0192
 0311-4-0193



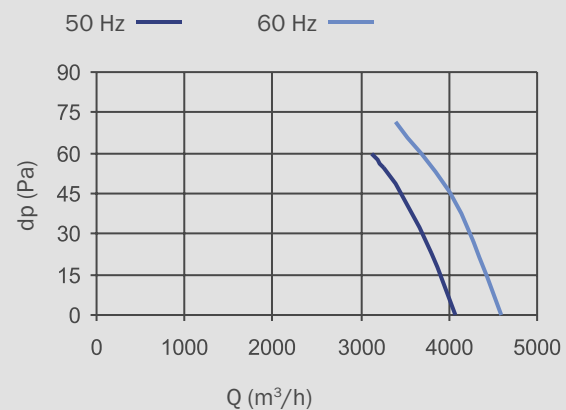
- »S« Dimension A = 41 mm
 »B« Dimension A = 53 mm

Weight:
 6,1 kg

Fan without guard grill**Airflow****Direction****Type:**

- »S« R11E-4030A-4M-5137
 »B« R11E-4030P-4M-5137

Available on request

Aerodynamic characteristic:**Performance Data:**

1~230V 50/60Hz
 $P_1 = 200 / 265W$
 $n = 1345 / 1500min^{-1}$
 $I = 0,90 / 1,15A$
 $t_R = 65 / 45^\circ C$
 $Lwa = 72 / 76dB(A)$
 $C = 6,3uF / 450V$
 Connection: terminal box
 Ins.Cl. F
 IP54

Notes:

Fan characteristic measured in short bell mouth with guard grill



Diameter: 400 mm

R11_-4035_-4M-5715

Fan with wall plate

Airflow

Direction Type:

»S«

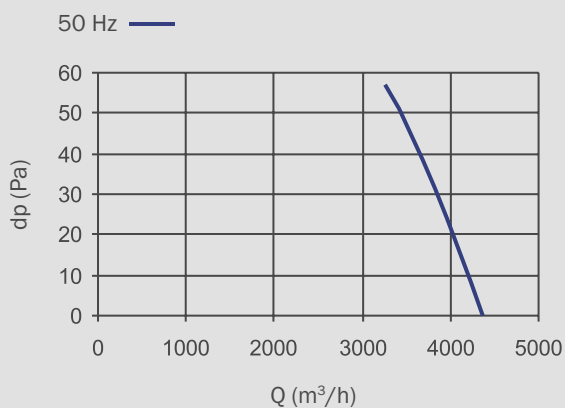
R11P-4035A-4M-5715

»B«

R11P-4035P-4M-5715

Available on request

Aerodynamic characteristic:



Performance Data:

1~230V 50Hz

$P_1 = 245W$

$n = 1320\text{min}^{-1}$

$I = 1,15A$

$t_R = 50^\circ C$

$L_{wa} = 73\text{dB(A)}$

$C = 6,3\mu F / 450V$

Connection: terminal box

Ins.Cl. F

IP54

Notes:

Fan characteristic measured in short bell mouth with guard grill

Fan with guard grill

Airflow

Direction Type:

»S«

R11R-4035A-4M-5715

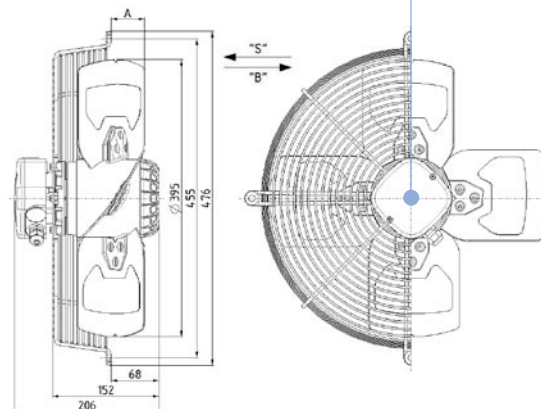
»B«

R11R-4035P-4M-5715

Code:

0311-4-0028

0311-4-0047



»S« Dimension A = 49 mm

»B« Dimension A = 61 mm

Weight:

6,3 kg

Fan without guard grill

Airflow

Direction Type:

»S«

R11E-4035A-4M-5715

»B«

R11E-4035P-4M-5715

Available on request

Fan with wall plate**Airflow****Direction****Type:**

- »S« R11P-4025A-4T2-3830
 »B« R11P-4025P-4T2-3830

Available on request

R11_-4025_-4T2-3830



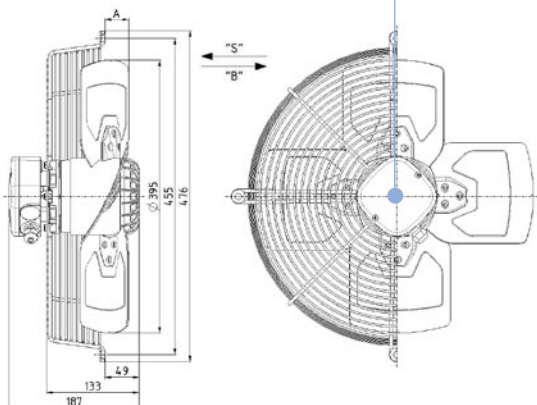
Diameter: 400 mm

Fan with guard grill**Airflow****Direction****Type:**

- »S« R11R-4025A-4T2-3830
 »B« R11R-4025P-4T2-3830

Code:

- 0311-4-0187
 0311-4-0188



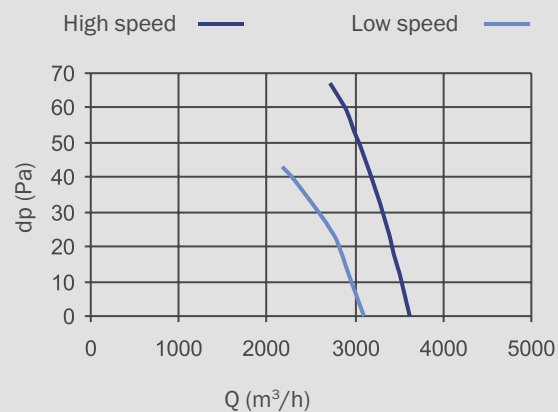
- »S« Dimension A = 33 mm
 »B« Dimension A = 48 mm

Weight:
 5,7 kg

Fan without guard grill**Airflow****Direction****Type:**

- »S« R11E-4025A-4T2-3830
 »B« R11E-4025P-4T2-3830

Available on request

Aerodynamic characteristic:**Performance Data:**

3~400V D/Y 50Hz
 $P_1 = 155 / 113W$
 $n = 1390 / 1170\text{min}^{-1}$
 $I = 0,29 / 0,18A$
 $t_R = 70^\circ C$
 $Lwa = 70 / 66\text{dB(A)}$
 Connection: terminal box
 Ins.Cl. F
 IP54

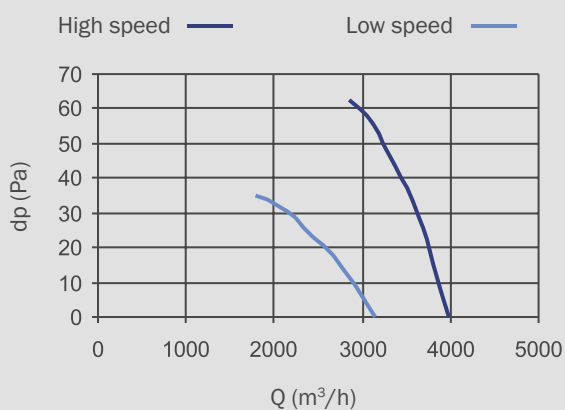
Notes:

Fan characteristic measured in short bell mouth with guard grill



Diameter: 400 mm

Aerodynamic characteristic:



Performance Data:

3~400V D/Y 50Hz
 $P_1 = 195 / 130W$
 $n = 1320 / 1000\text{min}^{-1}$
 $I = 0,34 / 0,21A$
 $t_R = 70^\circ C$
 $Lwa = 73 / 66\text{dB(A)}$
 Connection: box
 Ins.Cl. F
 IP54

Notes:

Fan characteristic measured in short bell mouth with guard grill

R11_-4030_-4T2-3830

Fan with wall plate

Airflow

Direction Type:

»S« R11P-4030A-4T2-3830
 »B« R11P-4030P-4T2-3830

Available on request

Fan with guard grill

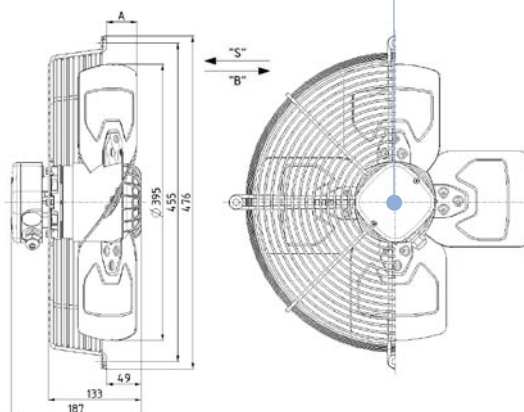
Airflow

Direction Type:

»S« R11R-4030A-4T2-3830
 »B« R11R-4030P-4T2-3830

Code:

0311-4-0034
 0311-4-0042



»S« Dimension A = 41 mm
 »B« Dimension A = 53 mm

Weight:
 5,7 kg

Fan without guard grill

Airflow

Direction Type:

»S« R11E-4030A-4T2-3830
 »B« R11E-4030P-4T2-3830

Available on request

Fan with wall plate

Airflow

Direction

Type:

- »S« R11P-4035A-4T2-5745
- »B« R11P-4035P-4T2-5745

Available on request

R11_-4035_-4T2-5745



Diameter: 400 mm

Fan with guard grill

Airflow

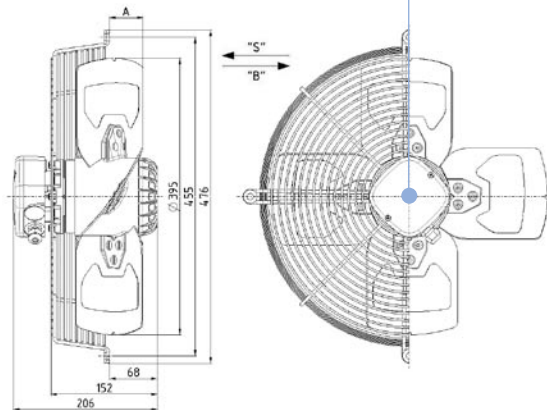
Direction

Type:

- »S« R11R-4035A-4T2-5745
- »B« R11R-4035P-4T2-5745

Code:

- 0311-4-0159
- 0311-4-0049



- »S« Dimension A = 49 mm
- »B« Dimension A = 61 mm

Weight:
6,3 kg

Fan without guard grill

Airflow

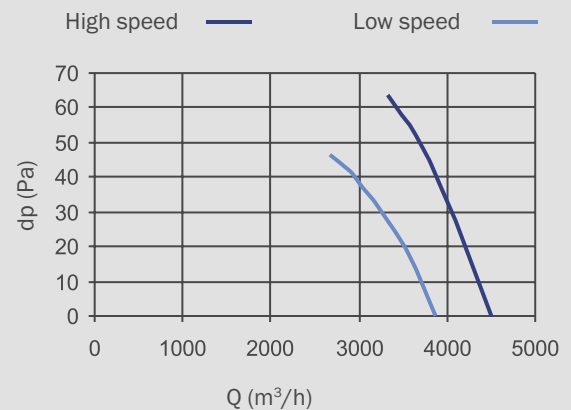
Direction

Type:

- »S« R11E-4035A-4T2-5745
- »B« R11E-4035P-4T2-5745

Available on request

Aerodynamic characteristic:



Performance Data:

- 3~400V D/Y 50Hz
- $P_1 = 250 / 188W$
- $n = 1380 / 1160min^{-1}$
- $I = 0,52 / 0,30A$
- $t_R = 70^\circ C$
- $Lwa = 75 / 71dB(A)$
- Connection: terminal box
- Ins.Cl. F
- IP54

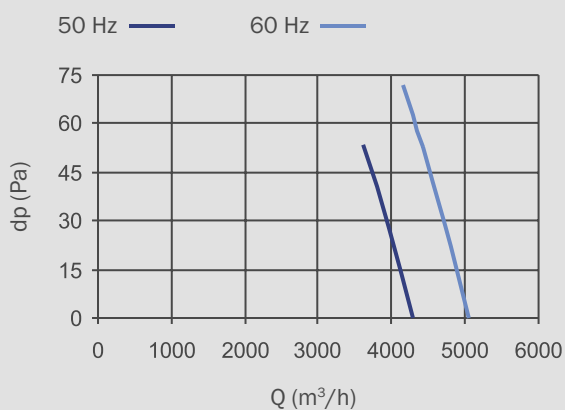
Notes:

Fan characteristic measured in short bell mouth with guard grill



Diameter: 420 mm

Aerodynamic characteristic:



Performance Data:

1~230V 50/60Hz
 $P_1 = 235 / 320W$
 $n = 1400 / 1600min^{-1}$
 $I = 1,15 / 1,40A$
 $t_R = 50^\circ C$
 $L_{wa} = 70 / 73dB(A)$
 $C = 6,3uF / 450V$
 Connection: terminal box
 Ins.Cl. F
 IP54

Notes:

Fan characteristic measured in short bell mouth with guard grill

R11_-4225_-4M-5715 Fan with wall plate

Airflow

Direction Type:

»S« R11P-4225A-4M-5715
 »B« R11P-4225P-4M-5715

Available on request

Fan with guard grill

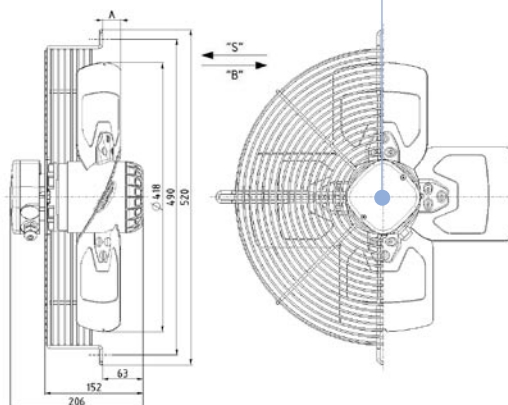
Airflow

Direction Type:

»S« R11R-4225A-4M-5715
 »B« R11R-4225P-4M-5715

Code:

0311-4-0265
 0311-4-0266



»S« Dimension A = 33 mm
 »B« Dimension A = 48 mm

Weight:
 6,3 kg

Fan without guard grill

Airflow

Direction Type:

»S« R11E-4225A-4M-5715
 »B« R11E-4225P-4M-5715

Available on request

Fan with wall plate**Airflow****Direction**

»S«

Type:

R11P-42EFA-6M-5727

Available on request

R11_-42EFA-6M-5727

**Diameter:** 420 mm**Fan with guard grill****Airflow****Direction**

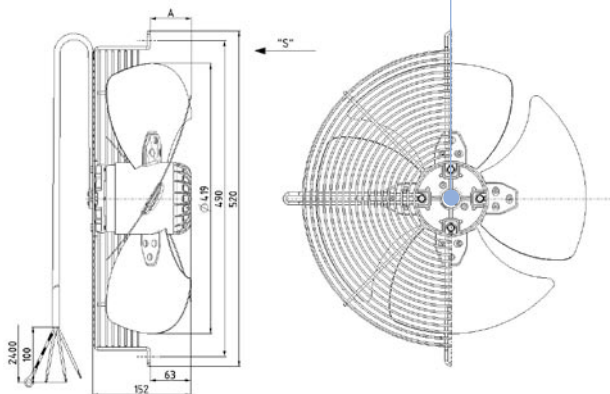
»S«

Type:

R11R-42EFA-6M-5727

Code:

0311-4-0151



»S« Dimension A = 43 mm

»B« Dimension A = 57 mm

Weight:

6,5 kg

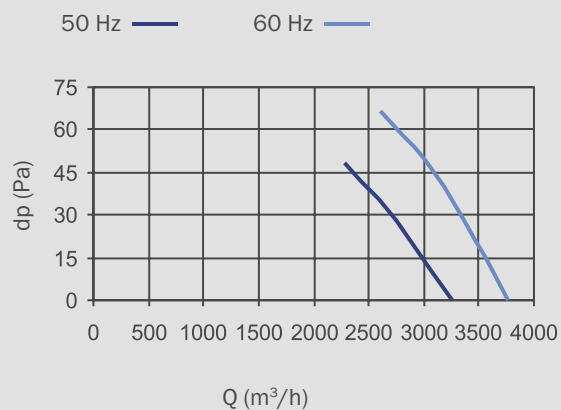
Fan without guard grill**Airflow****Direction**

»S«

Type:

R11E-42EFA-6M-5727

Available on request

Aerodynamic characteristic:**Performance Data:**

1~230V 50/60Hz
 $P_1 = 145 / 205W$
 $n = 940 / 1100\text{min}^{-1}$
 $I = 0,67 / 0,90A$
 $t_R = 60^\circ C$
 $L_{wa} = 64 / 68\text{dB(A)}$
 $C = 6,3\mu F / 450V$
 Connection: cable
 Ins.Cl. F
 IP54

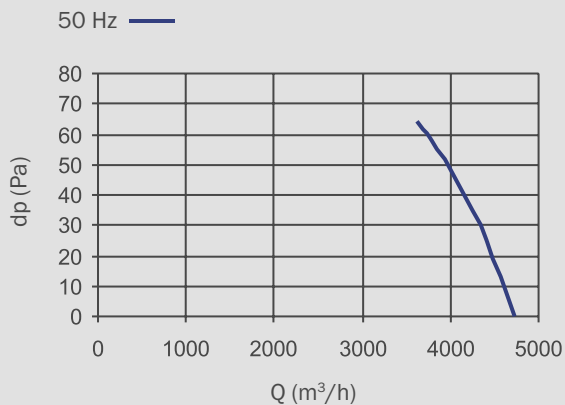
Notes:

Fan characteristic measured in short bell mouth with guard grill



Diameter: 450 mm

Aerodynamic characteristic:



Performance Data:

1~230V 50Hz

$P_1 = 240W$

$n = 1320\text{min}^{-1}$

$I = 1,1A$

$t_R = 50^\circ C$

$L_{wa} = 72\text{dB(A)}$

$C = 6,3\mu F / 450V$

Connection: terminal box

Ins.Cl. F

IP54

Notes:

Fan characteristic measured in short bell mouth with guard grill

R11_-4525_-4M-5135

Fan with wall plate

Airflow

Direction Type:

»S«

R11P-4525A-4M-5135

»B«

R11P-4525P-4M-5135

Available on request

Fan with guard grill

Airflow

Direction Type:

»S«

R11R-4525A-4M-5135

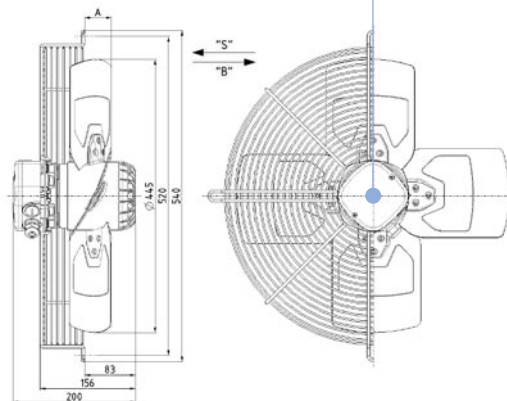
»B«

R11R-4525P-4M-5135

Code:

0311-4-0139

0311-4-0138



»S« Dimension A = 43 mm

»B« Dimension A = 57 mm

Weight:

6,3 kg

Fan without guard grill

Airflow

Direction Type:

»S«

R11E-4525A-4M-5135

»B«

R11E-4525P-4M-5135

Available on request

Fan with wall plate**Airflow****Direction****Type:**

»S« R11P-4530A-4M-5749
 »B« R11P-4530P-4M-5749

Available on request

R11_-4530_-4M-5749



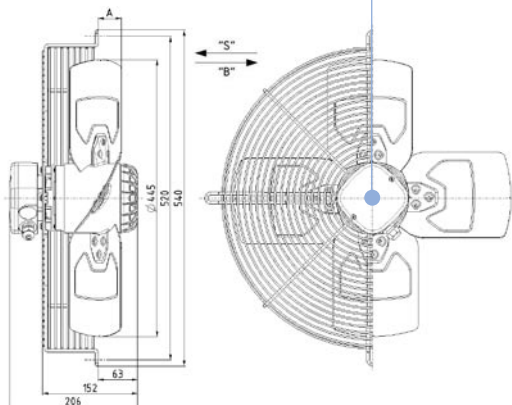
Diameter: 450 mm

Fan with guard grill**Airflow****Direction****Type:**

»S« R11R-4530A-4M-5749
 »B« R11R-4530P-4M-5749

Code:

0311-4-0240
 0311-4-0270



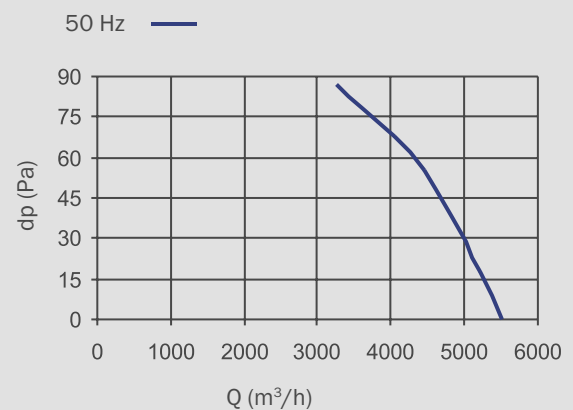
»S« Dimension A = 37 mm
 »B« Dimension A = 51 mm

Weight:
 6,3 kg

Fan without guard grill**Airflow****Direction****Type:**

»S« R11E-4530A-4M-5749
 »B« R11E-4530P-4M-5749

Available on request

Aerodynamic characteristic:**Performance Data:**

1~230V 50Hz

$P_1 = 310W$

$n = 1270\text{min}^{-1}$

$I = 1,4A$

$t_R = 55^\circ C$

$C = 10\mu F / 450V$

$L_{wa} = 74\text{dB(A)}$

Connection: terminal box

Ins.Cl. F

IP54

Notes:

Fan characteristic measured in short bell mouth with guard grill



Diameter: 450 mm

R11_-4525_-4T-5136

Fan with wall plate

Airflow

Direction Type:

»S«

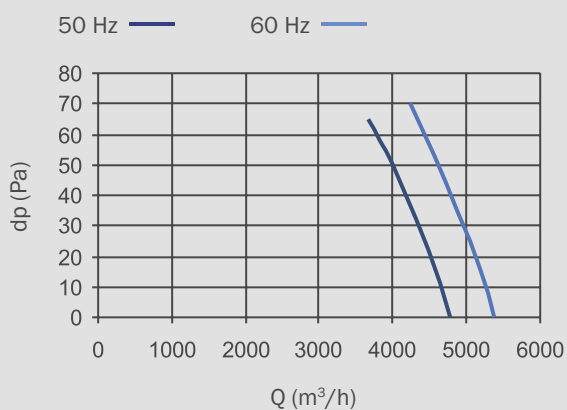
R11P-4525A-4T-5136

»B«

R11P-4525P-4T-5136

Available on request

Aerodynamic characteristic:



Performance Data:

3~230 / 400V 50/60Hz

$P_1 = 215 / 305W$

$n = 1315 / 1470\text{min}^{-1}$

$I = 0,5 / 0,53A$

$t_R = 70^\circ C$

$L_{wa} = 75 / 72\text{dB(A)}$

Connection: terminal box

Ins.Cl. F

IP54

Notes:

Fan characteristic measured in short bell mouth with guard grill

Fan with guard grill

Airflow

Direction Type:

»S«

R11R-4525A-4T-5136

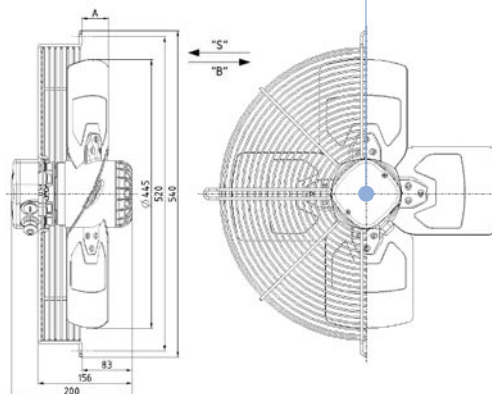
»B«

R11R-4525P-4T-5136

Code:

0311-4-0117

0311-4-0082



»S« Dimension A = 43 mm

»B« Dimension A = 57 mm

Weight:

6,3 kg

Fan without guard grill

Airflow

Direction Type:

»S«

R11E-4525A-4T-5136

»B«

R11E-4525P-4T-5136

Available on request

Fan with wall plate**Airflow****Direction****Type:**

- »S« R13P-4523A-4M-5009
 »B« R13P-4523P-4M-5009

Available on request

R13_-4523_-4M-5009



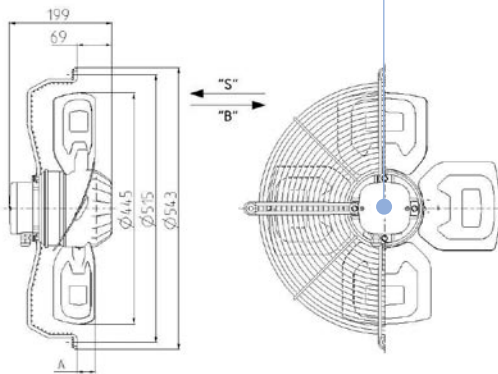
Diameter: 450 mm

Fan with guard grill**Airflow****Direction****Type:**

- »S« R13R-4523A-4M-5009
 »B« R13R-4523P-4M-5009

Code:

- 0313-4-0168
 0313-4-0171



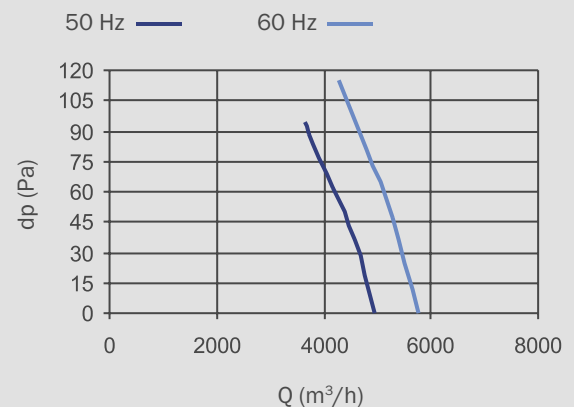
- »S« Dimension A = 31 mm
 »B« Dimension A = 54 mm

Weight:
10 kg

Fan without guard grill**Airflow****Direction****Type:**

- »S« R13E-4523A-4M-5009
 »B« R13E-4523P-4M-5009

Available on request

Aerodynamic characteristic:**Performance Data:**

1~230V 50/60Hz
 $P_1 = 280 / 430W$
 $n = 1420 / 1640min^{-1}$
 $I = 1,4 / 1,85A$
 $t_R = 65^\circ C$
 $Lwa = 72 / 76dB(A)$
 $C = 8\mu F / 400V$
 Connection: terminal box
 Ins.Cl. F
 IP54

Notes:

Fan characteristic measured in short bell mouth with guard grill



Diameter: 450 mm

R13_-4525_-4M-5009

Fan with wall plate

Airflow

Direction Type:

»S«

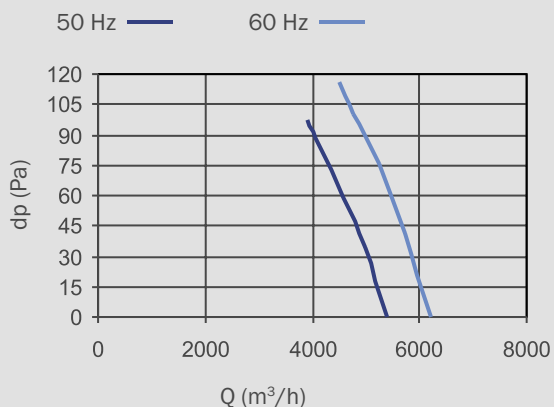
R13P-4525A-4M-5009

»B«

R13P-4525P-4M-5009

Available on request

Aerodynamic characteristic:



Performance Data:

1~230V 50/60Hz

$P_1 = 310 / 460W$

$n = 1410 / 1630\text{min}^{-1}$

$I = 1,4 / 2,0A$

$t_R = 70^\circ C$

$L_{wa} = 74 / 79\text{dB(A)}$

$C = 8\mu F / 450V$

Connection: terminal box

Ins.Cl. F

IP54

Notes:

Fan characteristic measured in short bell mouth with guard grill

Fan with guard grill

Airflow

Direction Type:

»S«

R13R-4525A-4M-5009

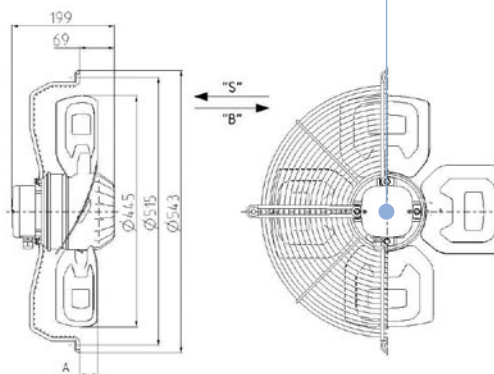
»B«

R13R-4525P-4M-5009

Code:

0313-4-0003

0313-4-0082



»S« Dimension A = 35 mm

»B« Dimension A = 57 mm

Weight:

10 kg

Fan without guard grill

Airflow

Direction Type:

»S«

R13E-4525A-4M-5009

»B«

R13E-4525P-4M-5009

Available on request

Fan with wall plate

Airflow

Direction Type:

- »S« R13P-4530A-4M-7039
- »B« R13P-4530P-4M-7039

Available on request

R13_-4530_-4M-7039



Diameter: 450 mm

Fan with guard grill

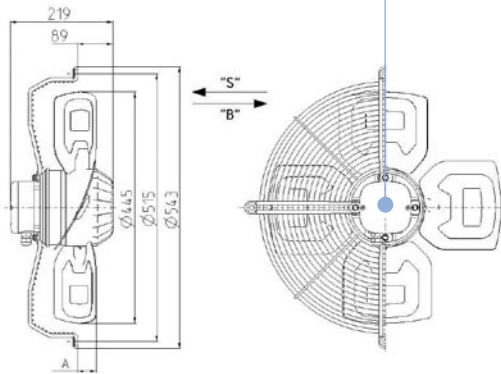
Airflow

Direction Type:

- »S« R13R-4530A-4M-7039
- »B« R13R-4530P-4M-7039

Code:

- 0313-4-0178
- 0313-4-0166



- »S« Dimension A = 43 mm
- »B« Dimension A = 65 mm

Weight:
12,1 kg

Fan without guard grill

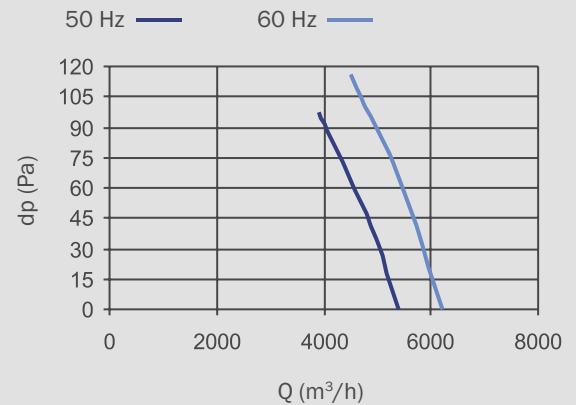
Airflow

Direction Type:

- »S« R13E-4530A-4M-7039
- »B« R13E-4530P-4M-7039

Available on request

Aerodynamic characteristic:



Performance Data:

- 1~230V 50/60Hz
- $P_1 = 375 / 570W$
- $n = 1390 / 1570min^{-1}$
- $I = 1,7 / 2,5A$
- $t_R = 60^\circ C$
- $Lwa = 76 / 81dB(A)$
- $C = 10uF / 400V$
- Connection: terminal box
- Ins.Cl. F
- IP54

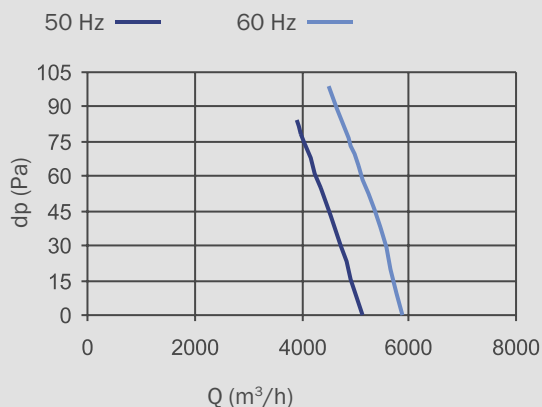
Notes:

Fan characteristic measured in short bell mouth with guard grill



Diameter: 450 mm

Aerodynamic characteristic:



Performance Data:

3~230/400V 50/60Hz

$P_1 = 290 / 410W$

$n = 1380 / 1560\text{min}^{-1}$

$I = 1,5 / 0,90A$

$t_R = 65^\circ C$

$L_{wa} = 72 / 78\text{dB(A)}$

Connection: Terminal box

Ins.Cl. F

IP54

Notes:

Fan characteristic measured in short bell mouth with guard grill

R13_-4525_-4T-3529

Fan with wall plate

Airflow

Direction

»S«

»B«

Type:

R13P-4525A-4T-3529

R13P-4525P-4T-3529

Available on request

Fan with guard grill

Airflow

Direction

»S«

»B«

Type:

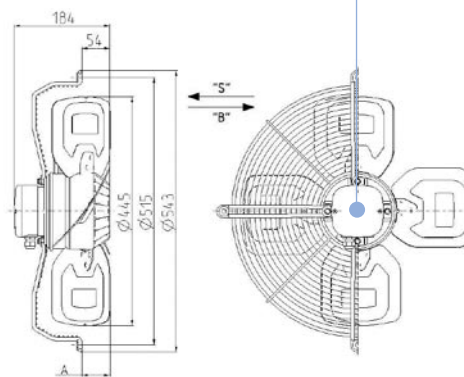
R13R-4525A-4T-3529

R13R-4525P-4T-3529

Code:

0313-4-0138

0313-4-0059



»S« Dimension A = 52 mm

»B« Dimension A = 57 mm

Weight:

8,4 kg

Fan without guard grill

Airflow

Direction

»S«

»B«

Type:

R13E-4525A-4T-3529

R13E-4525P-4T-3529

Available on request

Fan with wall plate**Airflow****Direction****Type:**

»S« R13P-4530A-4T2-3500
 »B« R13P-4530P-4T2-3500

Available on request

R13_-4530_-4T2-3500



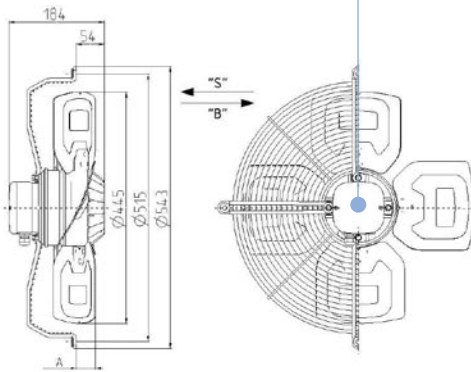
Diameter: 450 mm

Fan with guard grill**Airflow****Direction****Type:**

»S« R13R-4530A-4T2-3500
 »B« R13R-4530P-4T2-3500

Code:

0313-4-0000
 0313-4-0008



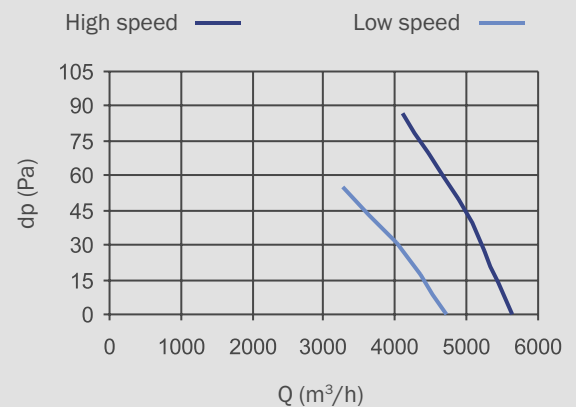
»S« Dimension A = 43 mm
 »B« Dimension A = 65 mm

Weight:
 8,4 kg

Fan without guard grill**Airflow****Direction****Type:**

»S« R13E-4530A-4T2-3500
 »B« R13E-4530P-4T2-3500

Available on request

Aerodynamic characteristic:**Performance Data:**

3~400V D/Y 50Hz
 $P_1 = 360 / 220W$
 $n = 1330 / 1070min^{-1}$
 $I = 0,76 / 0,38A$
 $t_r = 40^\circ C$
 $L_{wa} = 78 / 71dB(A)$
 Connection: terminal box
 Ins.Cl. F
 IP54

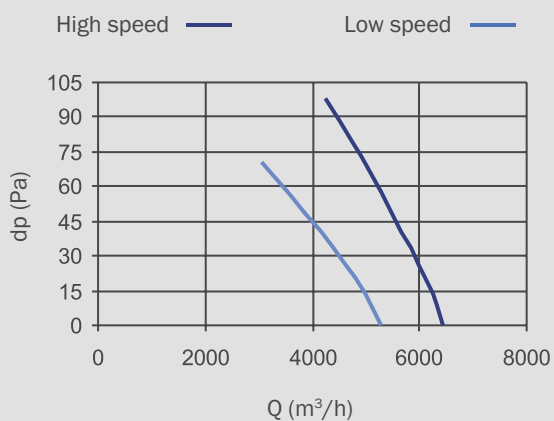
Notes:

Fan characteristic measured in short bell mouth with guard grill



Diameter: 450 mm

Aerodynamic characteristic:



Performance Data:

3~400V D/Y 50Hz
 $P_1 = 465 / 330W$
 $n = 1360 / 1100\text{min}^{-1}$
 $I = 0,95 / 0,45A$
 $t_R = 60^\circ C$
 $Lwa = 80 / 73\text{dB(A)}$
 Connection: terminal box
 Ins.Cl. F
 IP54

Notes:

Fan characteristic measured in short bell mouth with guard grill

R13_-4535_-4T2-5004

Fan with wall plate

Airflow

Direction

»S«
 »B«

Type:

R13P-4535A-4T2-5004
 R13P-4535P-4T2-5004

Available on request

Fan with guard grill

Airflow

Direction

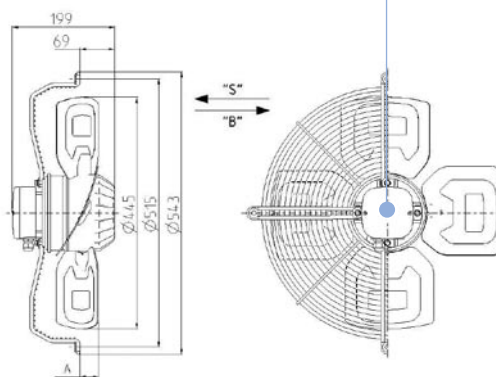
»S«
 »B«

Type:

R13R-4535A-4T2-5004
 R13R-4535P-4T2-5004

Code:

0313-4-0004
 0313-4-0002



»S« Dimension A = 52 mm
 »B« Dimension A = 71 mm

Weight:
 10 kg

Fan without guard grill

Airflow

Direction

»S«
 »B«

Type:

R13E-4535A-4T2-5004
 R13E-4535P-4T2-5004

Available on request

Fan with wall plate**Airflow****Direction Type:**

- »S« R13P-4530A-6M-3532
- »B« R13P-4530P-6M-3532

Available on request

R13_-4530_-6M-3532



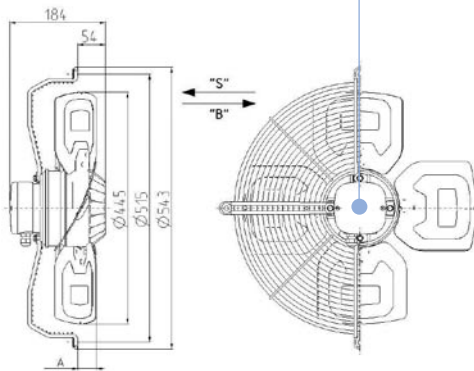
Diameter: 450 mm

Fan with guard grill**Airflow****Direction Type:**

- »S« R13R-4530A-6M-3532
- »B« R13R-4530P-6M-3532

Code:

- 0313-4-0075
- 0313-4-0067



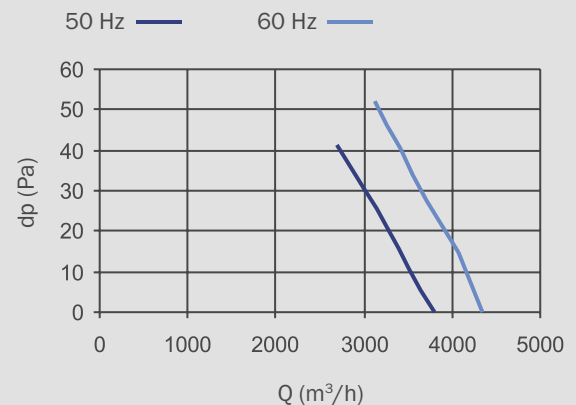
- »S« Dimension A = 43 mm
- »B« Dimension A = 71mm

Weight:
8,4 kg

Fan without guard grill**Airflow****Direction Type:**

- »S« R13E-4530A-6M-3532
- »B« R13E-4530P-6M-3532

Available on request

Aerodynamic characteristic:**Performance Data:**

1~230V 50/60Hz
 $P_1 = 135 / 175W$
 $n = 900 / 1030min^{-1}$
 $I = 0,63 / 0,76A$
 $t_R = 60^\circ C$
 $L_{wa} = 68 / 72dB(A)$
 $C = 5\mu F / 450V$
 Connection: terminal box
 Ins.Cl. F
 IP54

Notes:

Fan characteristic measured in short bell mouth with guard grill



Diameter: 450 mm

R13_-4535_-6M-5027

Fan with wall plate

Airflow

Direction

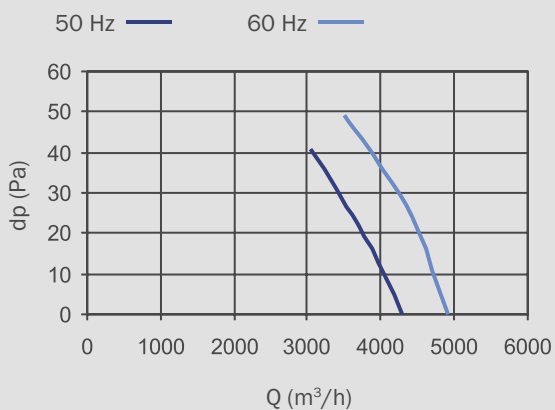
- »S«
- »B«

Type:

R13P-4535A-6M-5027
R13P-4535P-6M-5027

Available on request

Aerodynamic characteristic:



Performance Data:

1~230V 50/60Hz

$P_1 = 195 / 240W$

$n = 910 / 1040min^{-1}$

$I = 1,0 / 1,05A$

$t_R = 50^\circ C$

$L_{wa} = 69 / 73dB(A)$

$C = 6,3\mu F / 450V$

Connection: terminal box

Ins.Cl. F

IP54

Notes:

Fan characteristic measured in short bell mouth with guard grill

Fan with guard grill

Airflow

Direction

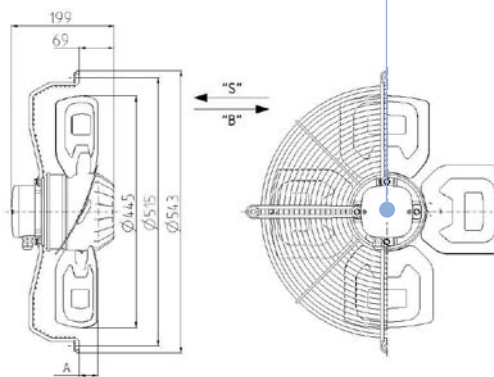
- »S«
- »B«

Type:

R13R-4535A-6M-5027
R13R-4535P-6M-5027

Code:

0313-4-0045
0313-4-0201



»S« Dimension A = 52 mm

»B« Dimension A = 71 mm

Weight:
10 kg

Fan without guard grill

Airflow

Direction

- »S«
- »B«

Type:

R13E-4535A-6M-5027
R13E-4535P-6M-5027

Available on request

Fan with wall plate

Airflow

Direction

Type:

- »S« R13P-4530A-6T2-3525
- »B« R13P-4530P-6T2-3525

Available on request

R13_-4530_-6T2-3525



Diameter: 450 mm

Fan with guard grill

Airflow

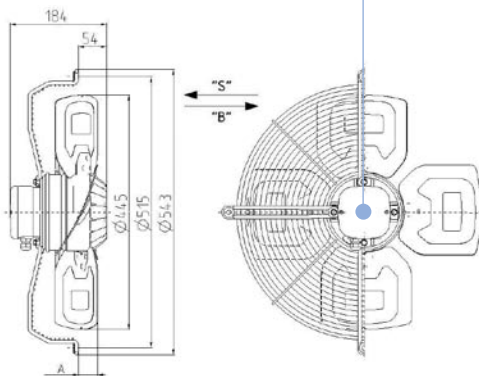
Direction

Type:

- »S« R13R-4530A-6T2-3525
- »B« R13R-4530P-6T2-3525

Code:

- 0313-4-0037
- 0313-4-0112



- »S« Dimension A = 43 mm
- »B« Dimension A = 65 mm

Weight:
8,4 kg

Fan without guard grill

Airflow

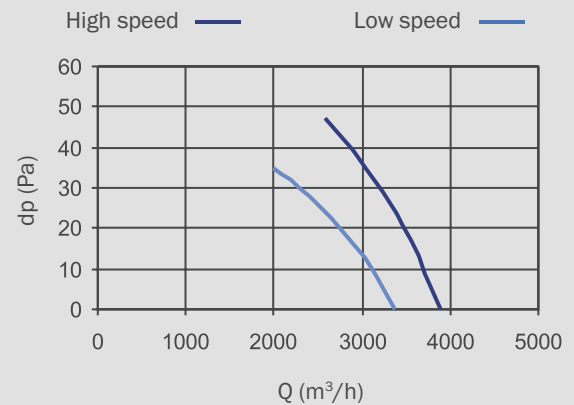
Direction

Type:

- »S« R13E-4530A-6T2-3525
- »B« R13E-4530P-6T2-3525

Available on request

Aerodynamic characteristic:



Performance Data:

- 3~400V D/Y 50Hz
- P₁ = 120 / 85W
- n = 915 / 770min⁻¹
- I = 0,28 / 0,14A
- t_R = 70 °C
- Lwa = 68 / 63dB(A)
- Connection: terminal box
- Ins.Cl. F
- IP54

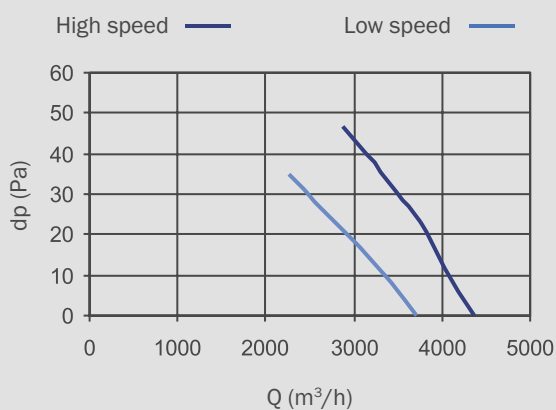
Notes:

Fan characteristic measured in short bell mouth with guard grill



Diameter: 450 mm

Aerodynamic characteristic:



Performance Data:

3~400V D/Y 50Hz

$P_1 = 160 / 110W$

$n = 915 / 765min^{-1}$

$I = 0,37 / 0,19A$

$t_R = 70^\circ C$

$Lwa = 69 / 64dB(A)$

Connection: terminal box

Ins.Cl. F

IP54

Notes:

Fan characteristic measured in short bell mouth with guard grill

R13_-4535_-6T2-3526

Fan with wall plate

Airflow

Direction

»S«

»B«

Type:

R13P-4535A-6T2-3526

R13P-4535P-6T2-3526

Available on request

Fan with guard grill

Airflow

Direction

»S«

»B«

Type:

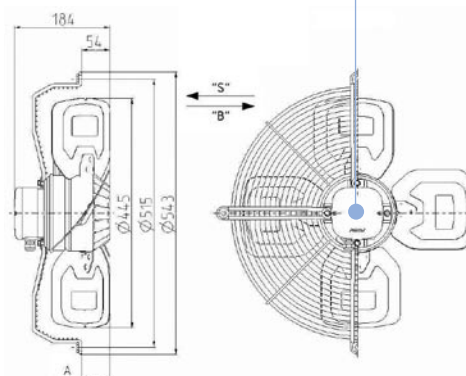
R13R-4535A-6T2-3526

R13R-4535P-6T2-3526

Code:

0313-4-0143

0313-4-0102



»S« Dimension A = 52 mm

»B« Dimension A = 71 mm

Weight:

8,4 kg

Fan without guard grill

Airflow

Direction

»S«

»B«

Type:

R13E-4535A-6T2-3526

R13E-4535P-6T2-3526

Available on request

Fan with wall plate**Airflow****Direction****Type:**

»S« R13P-5025A-4M-5009

»B« R13P-5025P-4M-5009

Available on request

R13_-5025_-4M-5009

**Diameter:** 500 mm**Fan with guard grill****Airflow****Direction****Type:**

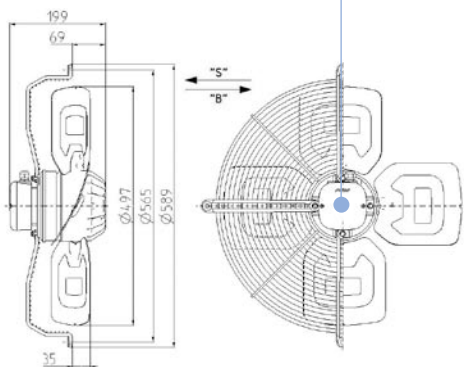
»S« R13R-5025A-4M-5009

»B« R13R-5025P-4M-5009

Code:

0313-4-0073

0313-4-0222



»S« Dimension A = 35 mm

»B« Dimension A = 57 mm

Weight:

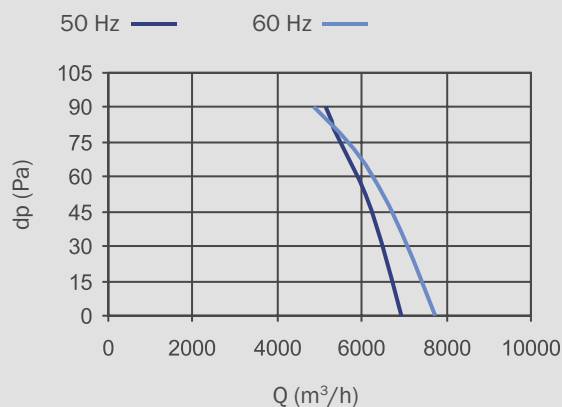
10,4 kg

Fan without guard grill**Airflow****Direction****Type:**

»S« R13E-5025A-4M-5009

»B« R13E-5025P-4M-5009

Available on request

Aerodynamic characteristic:**Performance Data:**

1~230V 50/60Hz

 $P_1 = 440 / 645W$ $n = 1340 / 1450\text{min}^{-1}$ $I = 2,0 / 2,9A$ $t_R = 70^\circ C$ $L_{wa} = 78 / 83\text{dB(A)}$ $C = 8\mu F / 450V$

Connection: terminal box

Ins.Cl. F

IP54

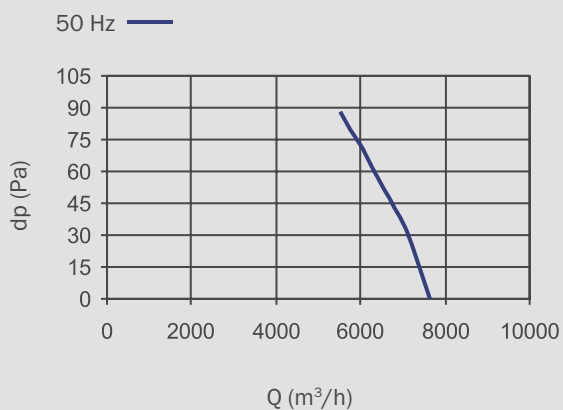
Notes:

Fan characteristic measured in short bell mouth with guard grill



Diameter: 500 mm

Aerodynamic characteristic:



Performance Data:

1~230V 50Hz

$P_1 = 545W$

$n = 1320\text{min}^{-1}$

$I = 2,4A$

$t_R = 70^\circ\text{C}$

$L_{wa} = 82\text{dB(A)}$

$C = 10\mu\text{F} / 450V$

Connection: terminal box

Ins.Cl. F

IP54

Notes:

Fan characteristic measured in short bell mouth with guard grill

R13_5030_4M-7012

Fan with wall plate

Airflow

Direction

»S«

»B«

Type:

R13P-5030A-4M-7012

R13P-5030P-4M-7012

Available on request

Fan with guard grill

Airflow

Direction

»S«

»B«

Type:

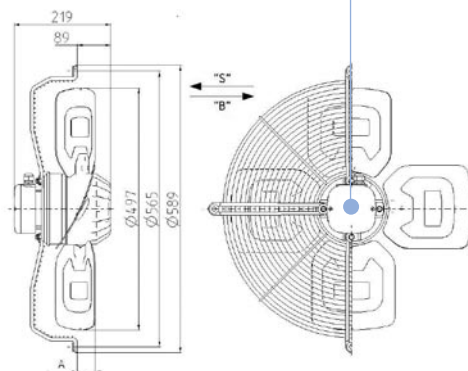
R13R-5030A-4M-7012

R13R-5030P-4M-7012

Code:

0313-4-0011

0313-4-0062



»S« Dimension A = 43 mm

»B« Dimension A = 65 mm

Weight:

12,5 kg

Fan without guard grill

Airflow

Direction

»S«

»B«

Type:

R13E-5030A-4M-7012

R13E-5030P-4M-7012

Available on request

Fan with wall plate**Airflow****Direction****Type:**

»S«

R13P-5025A-4T2-5004

»B«

R13P-5025P-4T2-5004

Available on request

R13_-5025_-4T2-5004

**Diameter:** 500 mm**Fan with guard grill****Airflow****Direction****Type:**

»S«

R13R-5025A-4T2-5004

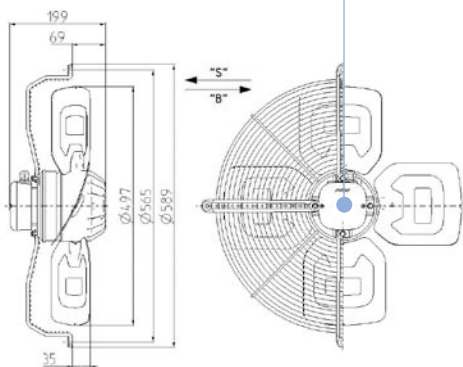
»B«

R13R-5025P-4T2-5004

Code:

0313-4-0137

0313-4-0158



»S« Dimension A = 35 mm

»B« Dimension A = 57 mm

Weight:

10,4 kg

Fan without guard grill**Airflow****Direction****Type:**

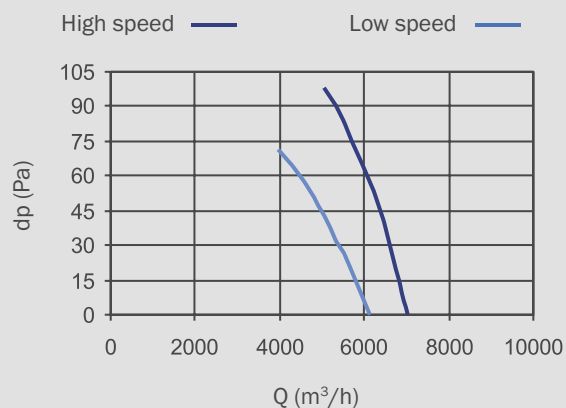
»S«

R13E-5025A-4T2-5004

»B«

R13E-5025P-4T2-5004

Available on request

Aerodynamic characteristic:**Performance Data:**

3~400V D/Y 50Hz

 $P_1 = 455 / 325W$ $n = 1380 / 1150\text{min}^{-1}$ $I = 0,95 / 0,53A$ $t_R = 50^\circ\text{C}$

Lwa = 78 / 74dB(A)

Connection: terminal box

Ins.Cl. F

IP54

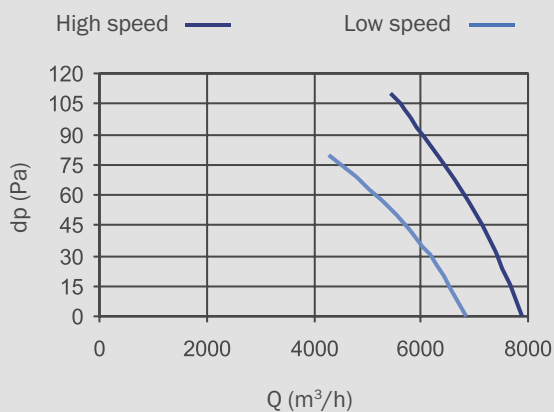
Notes:

Fan characteristic measured in short bell mouth with guard grill



Diameter: 500 mm

Aerodynamic characteristic:



Performance Data:

3~400V D/Y 50Hz
 $P_1 = 560 / 410W$
 $n = 1380 / 1170\text{min}^{-1}$
 $I = 1,15 / 0,66A$
 $t_R = 70^\circ C$
 $L_{wa} = 81 / 75\text{dB(A)}$
 Connection: terminal box
 Ins.Cl. F
 IP54

Notes:

Fan characteristic measured in short bell mouth with guard grill

R13_-5030_-4T2-7002

Fan with wall plate

Airflow

Direction

»S«
 »B«

Type:

R13P-5030A-4T2-7002
 R13P-5030P-4T2-7002

Available on request

Fan with guard grill

Airflow

Direction

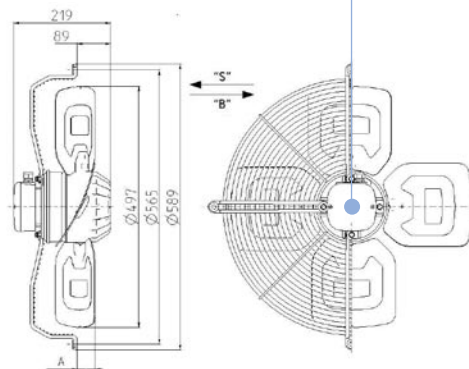
»S«
 »B«

Type:

R13R-5030A-4T2-7002
 R13R-5030P-4T2-7002

Code:

0313-4-0006
 0313-4-0097



»S« Dimension A = 43 mm
 »B« Dimension A = 65 mm

Weight:
 12,5 kg

Fan without guard grill

Airflow

Direction

»S«
 »B«

Type:

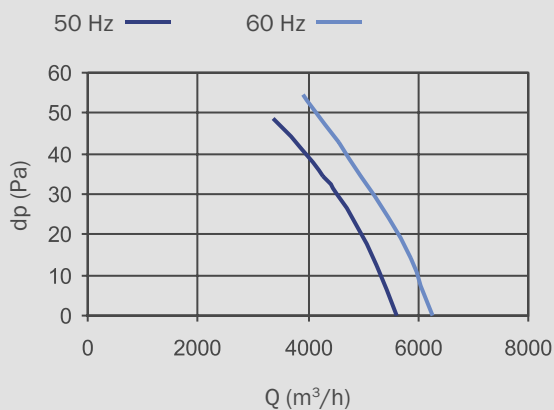
R13E-5030A-4T2-7002
 R13E-5030P-4T2-7002

Available on request



Diameter: 500 mm

Aerodynamic characteristic:



Performance Data:

1~230V 50/60Hz

$P_1 = 255 / 335W$

$n = 870 / 960\text{min}^{-1}$

$I = 1,1 / 1,45A$

$t_R = 50^\circ C$

$L_{wa} = 72 / 76\text{dB(A)}$

$C = 8\mu F / 450V$

Connection: terminal box

Ins.Cl. F

IP54

Notes:

Fan characteristic measured in short bell mouth with guard grill

R13_-5035_-6M-5027

Fan with wall plate

Airflow

Direction

»S«

»B«

Type:

R13P-5035A-6M-5027

R13P-5035P-6M-5027

Available on request

Fan with guard grill

Airflow

Direction

»S«

»B«

Type:

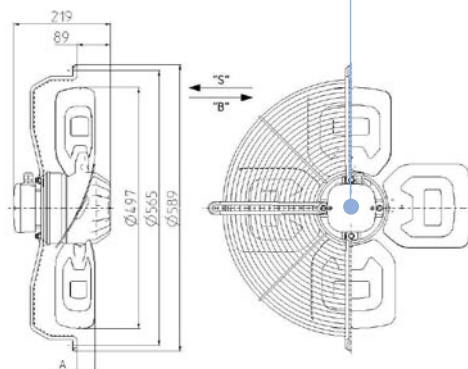
R13R-5035A-6M-5027

R13R-5035P-6M-5027

Code:

0313-4-0047

0313-4-0068



»S« Dimension A = 52 mm

»B« Dimension A = 71 mm

Weight:

10,4 kg

Fan without guard grill

Airflow

Direction

»S«

»B«

R13E-5035A-6M-5027

R13E-5035P-6M-5027

Available on request

Fan with wall plate**Airflow****Direction****Type:**

»S« R13P-5035A-6T2-5016
 »B« R13P-5035P-6T2-5016

Available on request

R13_-5035_-6T2-5016



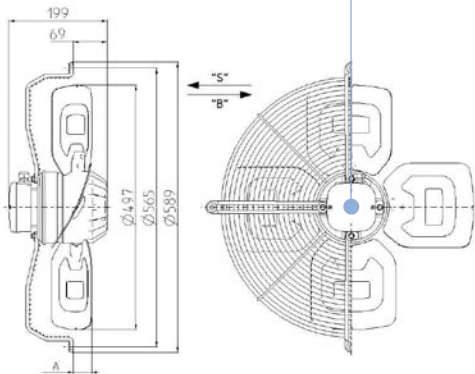
Diameter: 500 mm

Fan with guard grill**Airflow****Direction****Type:**

»S« R13R-5035A-6T2-5016
 »B« R13R-5035P-6T2-5016

Code:

0313-4-0127
 0313-4-0089



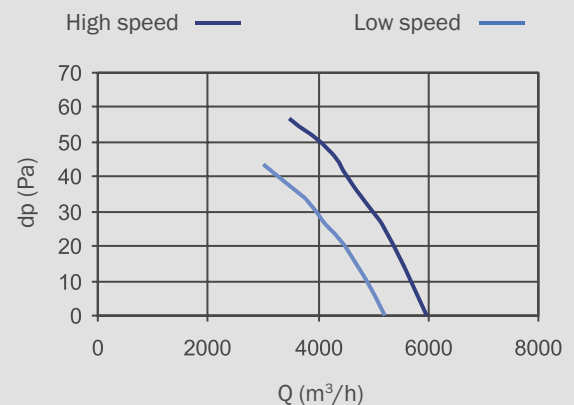
»S« Dimension A = 52 mm
 »B« Dimension A = 71 mm

Weight:
 10,4 kg

Fan without guard grill**Airflow****Direction****Type:**

»S« R13E-5035A-6T2-5016
 »B« R13E-5035P-6T2-5016

Available on request

Aerodynamic characteristic:**Performance Data:**

3~400V D/Y 50Hz
 $P_1 = 250 / 185W$
 $n = 930 / 800min^{-1}$
 $I = 0,65 / 0,32A$
 $t_R = 60^\circ C$
 $Lwa = 73 / 67dB(A)$
 Connection: terminal box
 Ins.Cl. F
 IP54

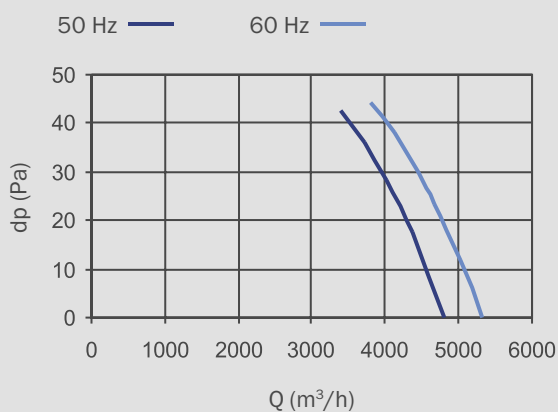
Notes:

Fan characteristic measured in short bell mouth with guard grill



Diameter: 500 mm

Aerodynamic characteristic:



Performance Data:

1~230V 50/60Hz
 $P_1 = 180 / 220W$
 $n = 890 / 980min^{-1}$
 $I = 0,78 / 0,95A$
 $t_R = 60 / 55^{\circ}C$
 $L_{wa} = 71 / 75dB(A)$
 $C = 6,3\mu F / 450V$
 Connection: cable
 Ins.Cl. F
 IP54

Notes:

Fan characteristic measured in short bell mouth with guard grill

R11_50EFA-6M-5727

Fan with wall plate

Airflow

Direction

»S«

Type:

R11P-50EFA-6M-5716

Available on request

Fan with guard grill

Airflow

Direction

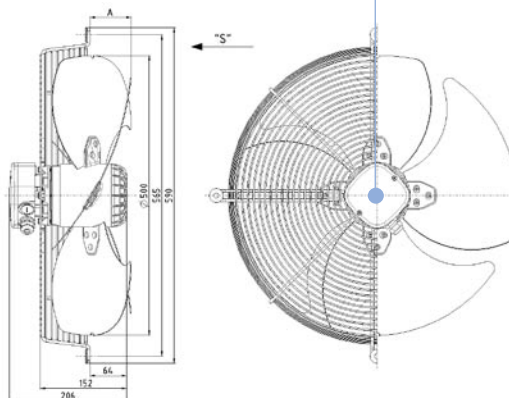
»S«

Type:

R11R-50EFA-6M-5716

Code:

0311-4-0115



Weight:
6,8 kg

Fan without guard grill

Airflow

Direction

»S«

Type:

R11E-50EFA-6M-5716

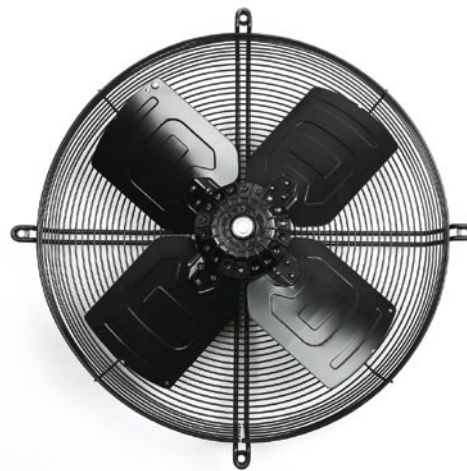
Available on request

Fan with wall plate**Airflow****Direction****Type:**

- »S« R13P-5625A-4T2-7002
 »B« R13P-5625P-4T2-7002

Available on request

R13_-5625_-4T2-7002



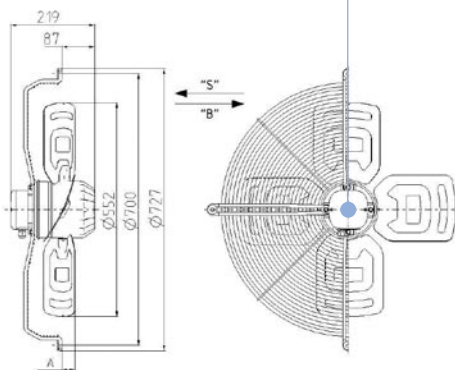
Diameter: 560 mm

Fan with guard grill**Airflow****Direction****Type:**

- »S« R13R-5625A-4T2-7002
 »B« R13R-5625P-4T2-7002

Code:

- 0313-4-0001
 0313-4-0052



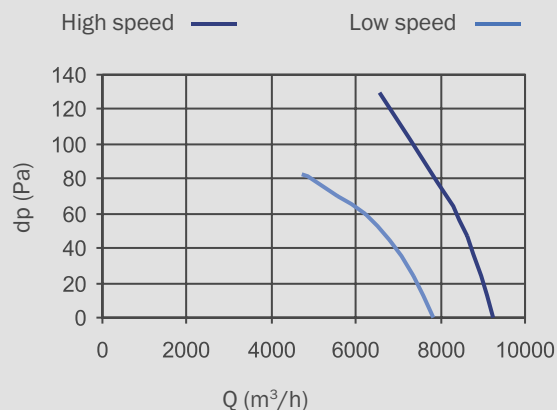
- »S« Dimension A = 35 mm
 »B« Dimension A = 57 mm

Weight:
 14 kg

Fan without guard grill**Airflow****Direction****Type:**

- »S« R13E-5625A-4T2-7002
 »B« R13E-5625P-4T2-7002

Available on request

Aerodynamic characteristic:**Performance Data:**

3~400V D/Y 50Hz
 $P_1 = 670 / 450W$
 $n = 1360 / 1130\text{min}^{-1}$
 $I = 1,3 / 0,73A$
 $t_R = 60^\circ C$
 $L_{wa} = 83 / 76\text{dB(A)}$
 Connection: terminal box
 Ins.Cl. F
 IP54

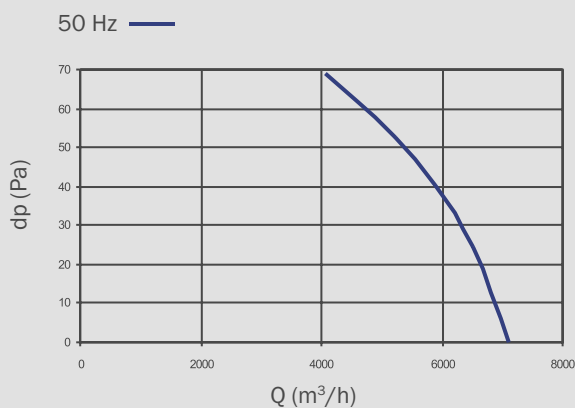
Notes:

Fan characteristic measured in short bell mouth with guard grill



Diameter: 560 mm

Aerodynamic characteristic:



Performance Data:

1~230V 50Hz

$P_1 = 360W$

$n = 900\text{min}^{-1}$

$I = 1,65A$

$t_R = 50^\circ C$

$L_{wa} = 73\text{dB(A)}$

$C = 12,5\mu F / 450V$

Connection: terminal box

Ins.Cl. F

IP54

Notes:

Fan characteristic measured in short bell mouth with guard grill

R13_-5630_-6M-7019

Fan with wall plate

Airflow

Direction

»S«

»B«

Type:

R13P-5630A-6M-7019

R13P-5630P-6M-7019

Available on request

Fan with guard grill

Airflow

Direction

»S«

»B«

Type:

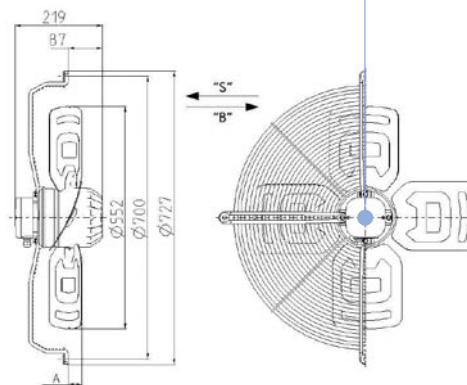
R13R-5630A-6M-7019

R13R-5630P-6M-7019

Code:

0313-4-0024

0313-4-0086



»S« Dimension A = 43 mm

»B« Dimension A = 65 mm

Weight:

14 kg

Fan without guard grill

Airflow

Direction

»S«

»B«

R13E-5630A-6M-7019

R13E-5630P-6M-7019

Available on request

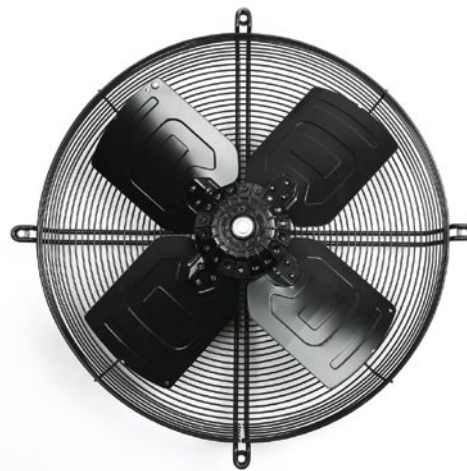
Fan with wall plate**Airflow****Direction****Type:**

»S« R13P-5630A-6T2-5016

»B« R13P-5630P-6T2-5016

Available on request

R13_-5630_-6T2-5016

**Diameter:** 560 mm**Fan with guard grill****Airflow****Direction****Type:**

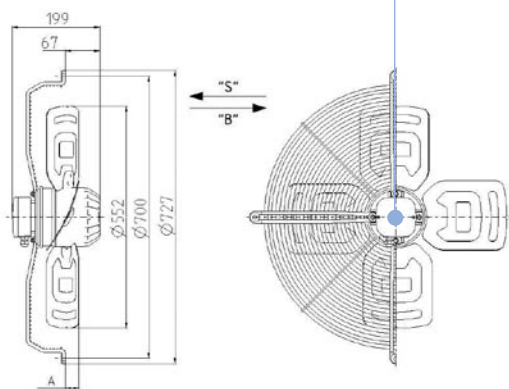
»S« R13R-5630A-6T2-5016

»B« R13R-5630P-6T2-5016

Code:

0313-4-0029

0313-4-0080



»S« Dimension A = 43 mm

»B« Dimension A = 65 mm

Weight:

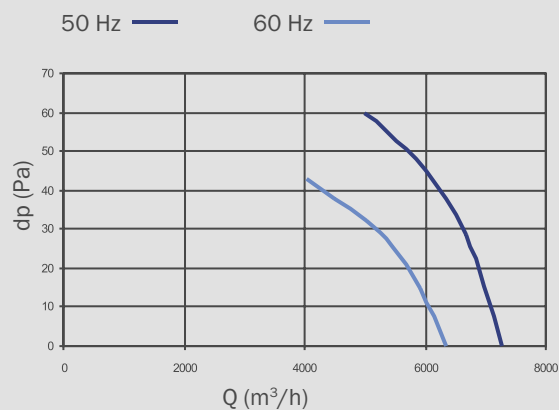
11,9 kg

Fan without guard grill**Airflow****Direction****Type:**

»S« R13E-5630A-6T2-5016

»B« R13E-5630P-6T2-5016

Available on request

Aerodynamic characteristic:**Performance Data:**

3~400V D/Y 50Hz

 $P_1 = 305 / 210W$ $n = 920 / 780\text{min}^{-1}$ $I = 0,7 / 0,36A$ $t_R = 60^\circ C$

Lwa = 72 / 68dB(A)

Connection: terminal box

Ins.Cl. F

IP54

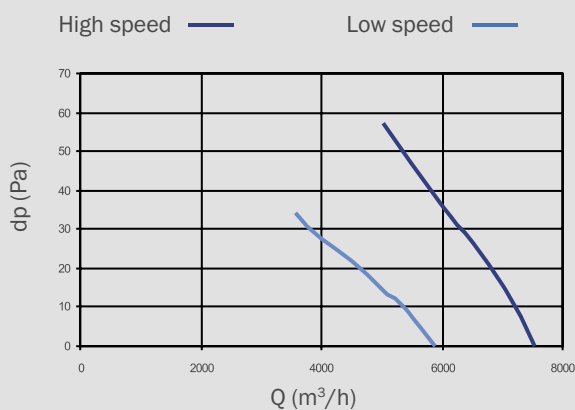
Notes:

Fan characteristic measured in short bell mouth with guard grill



Diameter: 560 mm

Aerodynamic characteristic:



Performance Data:

3~400V D/Y 50Hz
 $P_1 = 345 / 215W$
 $n = 870 / 660\text{min}^{-1}$
 $I = 0,63 / 0,36A$
 $t_R = 70^\circ C$
 $Lwa = 74 / 67\text{dB(A)}$
 Connection: terminal box
 Ins.Cl. F
 IP54

Notes:

Fan characteristic measured in short bell mouth with guard grill

R13_-5635_-6T2-7021

Fan with wall plate

Airflow

Direction

- »S«
- »B«

Type:

- R13P-5635A-6T2-7021
- R13P-5635P-6T2-7021

Available on request

Fan with guard grill

Airflow

Direction

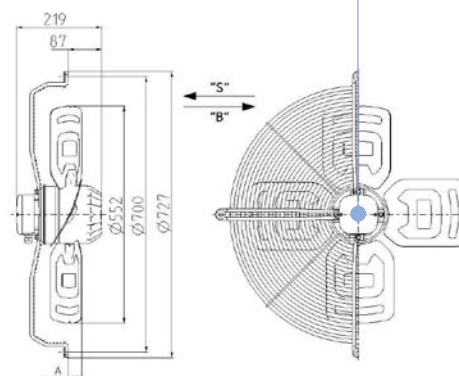
- »S«
- »B«

Type:

- R13R-5635A-6T2-7021
- R13R-5635P-6T2-7021

Code:

- 0313-4-0065
- 0313-4-0079



- »S« Dimension A = 52 mm
- »B« Dimension A = 71 mm

Weight:
14 kg

Fan without guard grill

Airflow

Direction

- »S«
- »B«

Type:

- R13E-5635A-6T2-7021
- R13E-5635P-6T2-7021

Available on request



Diameter: 630 mm

R13_-6330_-6T2-7021

Fan with wall plate

Airflow

Direction

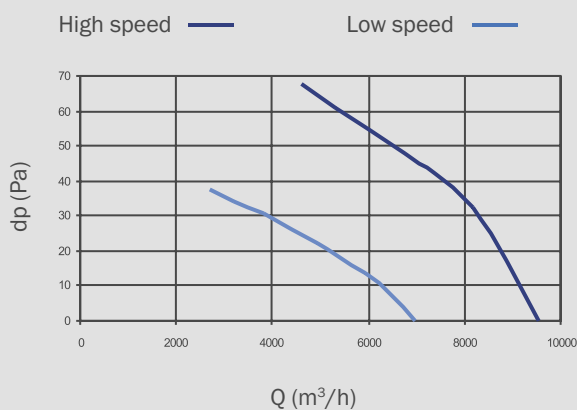
- »S«
- »B«

Type:

R13P-6330A-6T2-7021
R13P-6330P-6T2-7021

Available on request

Aerodynamic characteristic:



Performance Data:

3~400V D/Y 50Hz

$P_1 = 390 / 225W$

$n = 840 / 590\text{min}^{-1}$

$I = 0,66 / 0,38A$

$t_R = 70^\circ\text{C}$

$L_{wa} = 78 / 69\text{dB(A)}$

Connection: terminal box

Ins.Cl. F

IP54

Notes:

Fan characteristic measured in short bell mouth with guard grill

Fan with guard grill

Airflow

Direction

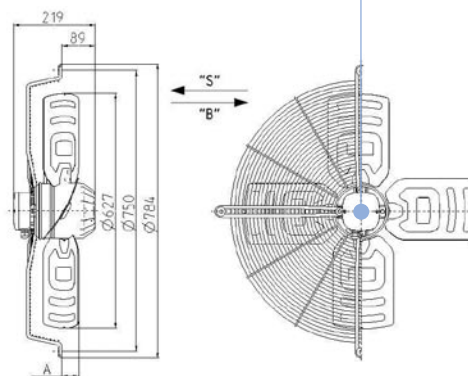
- »S«
- »B«

Type:

R13R-6330A-6T2-7021
R13R-6330P-6T2-7021

Code:

0313-4-0050
0313-4-0048



»S« Dimension A = 43 mm

»B« Dimension A = 65 mm

Weight:
14,6 kg

Fan without guard grill

Airflow

Direction

- »S«
- »B«

Type:

R13E-6330A-6T2-7021
R13E-6330P-6T2-7021

Available on request

Fan with wall plate**Airflow****Direction****Type:**

»S«

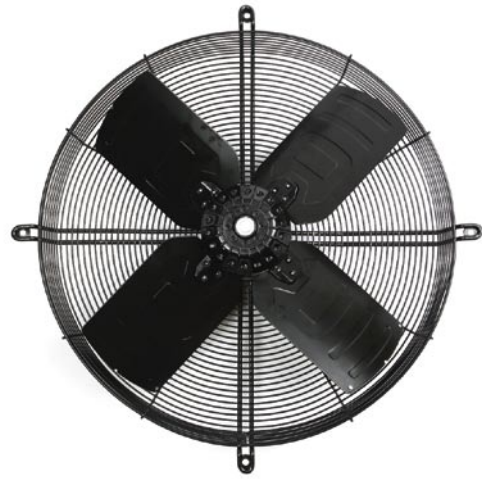
R13P-6335A-6T2-7007

»B«

R13P-6335P-6T2-7007

Available on request

R13_-6335_-6T2-7007

**Diameter:** 630 mm**Fan with guard grill****Airflow****Direction****Type:**

»S«

R13R-6335A-6T2-7007

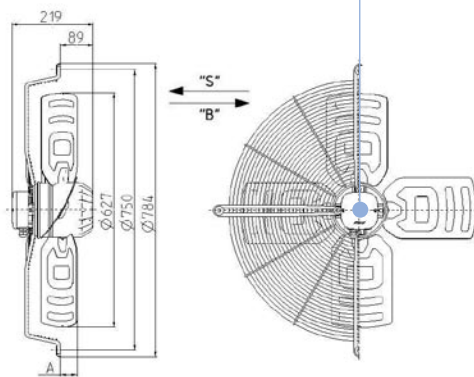
»B«

R13R-6335P-6T2-7007

Code:

0313-4-0049

0313-4-0154



»S« Dimension A = 52 mm

»B« Dimension A = 71 mm

Weight:

14,6 kg

Fan without guard grill**Airflow****Direction****Type:**

»S«

R13E-6335A-6T2-7007

»B«

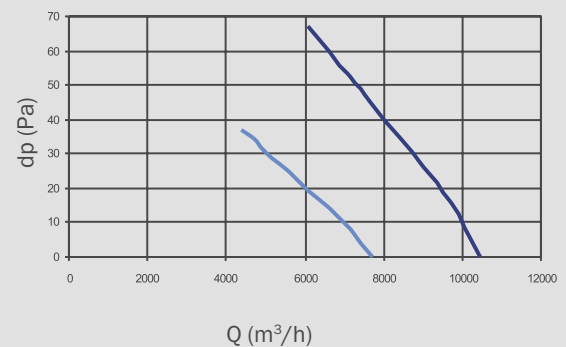
R13E-6335P-6T2-7007

Available on request

Aerodynamic characteristic:

High speed

Low speed

**Performance Data:**

3~400V D/Y 50Hz

 $P_1 = 560 / 340W$ $n = 840 / 620\text{min}^{-1}$ $I = 1,05 / 0,55A$ $t_R = 55^\circ C$

Lwa = 79 / 71dB(A)

Connection: terminal box

Ins.Cl. F

IP54

Notes:

Fan characteristic measured in short bell mouth with guard grill



Diameter: 630 mm

R13_-6335_-6M-7049

Fan with wall plate

Airflow

Direction

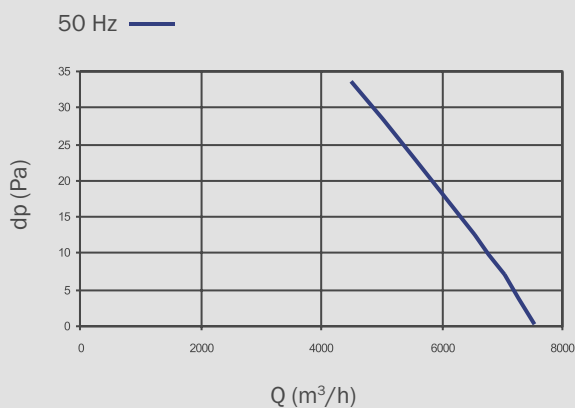
- »S«
- »B«

Type:

R13P-6335A-8M-7049
R13P-6335P-8M-7049

Available on request

Aerodynamic characteristic:



Performance Data:

1~230V 50Hz

$P_1 = 265W$

$n = 610\text{min}^{-1}$

$I = 1,2A$

$t_R = 70^\circ\text{C}$

$L_{wa} = 70\text{dB(A)}$

$C = 8\mu\text{F} / 450V$

Connection: terminal box

Ins.Cl. F

IP54

Notes:

Fan characteristic measured in short bell mouth with guard grill

Fan with guard grill

Airflow

Direction

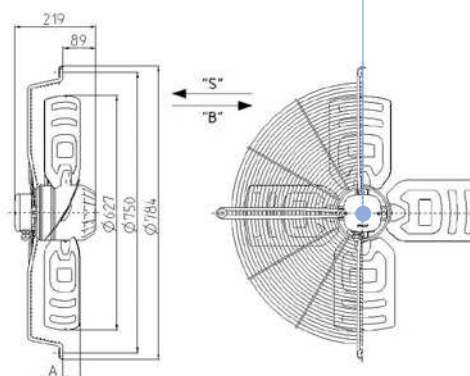
- »S«
- »B«

Type:

R13R-6335A-8M-7049
R13R-6335P-8M-7049

Code:

0313-4-0231
0313-4-0234



»S« Dimension A = 52 mm

»B« Dimension A = 71 mm

Weight:
14,6 kg

Fan without guard grill

Airflow

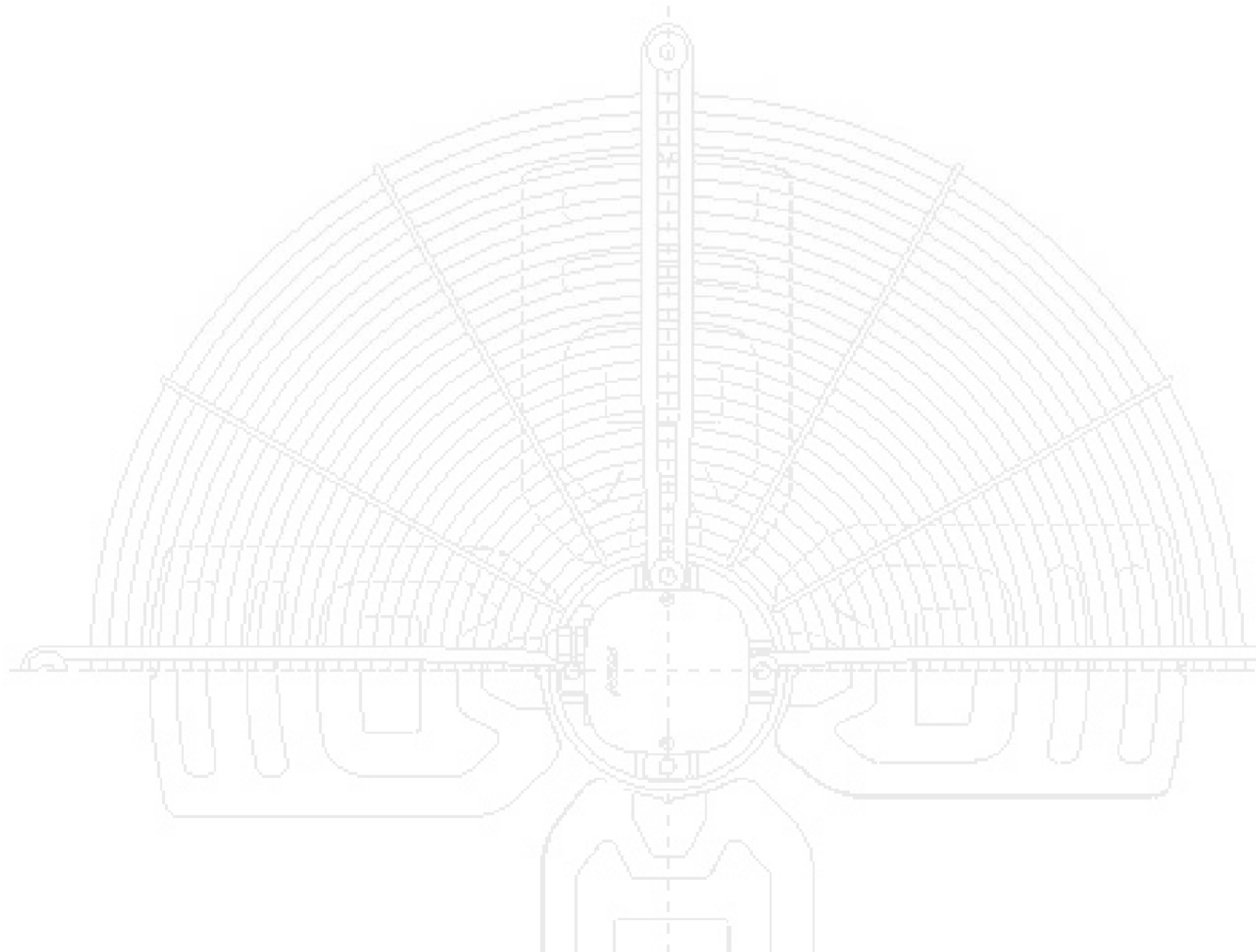
Direction

- »S«
- »B«

Type:

R13E-6335A-8M-7049
R13E-6335P-8M-7049

Available on request



Axial Fans

Example of type key for Centrifugal Fans

R09T-1945D-2M2-1511

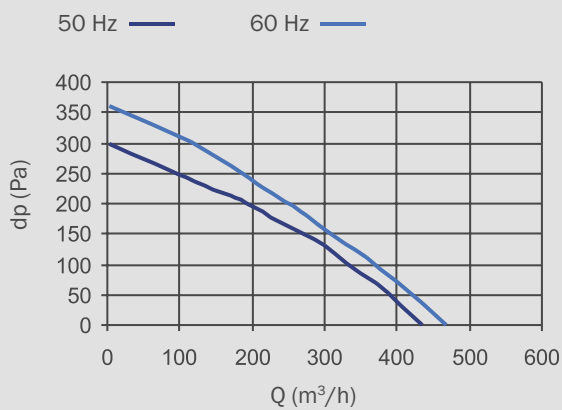
- R09** External rotor motor type
- T** Blade type (T-backward curved, C-forward curved)
- 19** Fan diameter x 10 (exact diameters are stated in drawings)
- 45** Blade width
- D** Direction of rotation
- 2** Number of poles
- M** Number of phases (M-single phase, T-three phase)
- 2** Number of speeds
- 42** Motor stack height
- 11** Electrical design



Centrifugal Fans



R09_-1945D-2M-1511

Diameter: 190 mm**Aerodynamic characteristic:****Performance Data:**

1~230V 50/60Hz

 $P_1 = 50 / 63\text{W}$ $n = 2400 / 2530\text{min}^{-1}$ $I = 0,21 / 0,27\text{A}$ $t_R = 50^\circ\text{C}$

Lwa = 60/ 62dB(A)

C = 2uF / 450V

Connection: cable

Ins.Cl. F

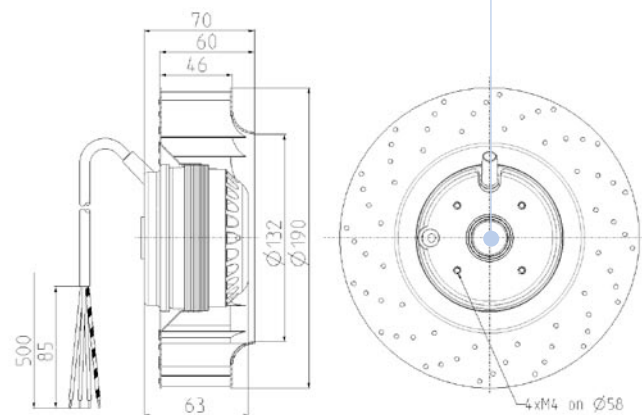
IP44

Backward curved**Type:**

R09T-1945D-2M-1511

Code:

0309-4-0079

**Weight:**

1,4 kg

R09_-2250D-2M-3510

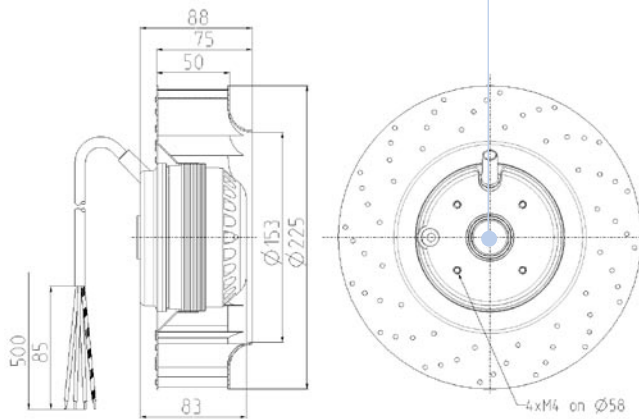


Diameter: 225 mm

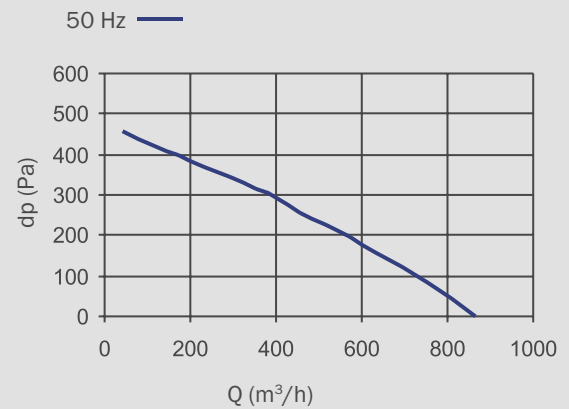
Backward curved

Type:
R09T-2250D-2M-3510

Code:
0309-4-0066



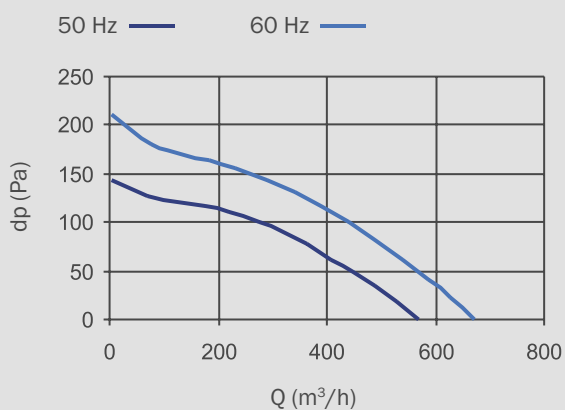
Weight:
2,5 kg

Aerodynamic characteristic:**Performance Data:**

1~230V 50Hz
 $P_1 = 98W$
 $n = 2450\text{min}^{-1}$
 $I = 0,42A$
 $t_R = 50^\circ C$
 $L_{wa} = 70\text{dB(A)}$
 $C = 3,15\mu F / 450V$
 Connection: cable
 Ins.Cl. F
 IP44



R09_-2263D-4M-2502

Diameter: 225 mm**Aerodynamic characteristic:****Performance Data:**

1~230V 50/60Hz

 $P_1 = 50 / 54\text{W}$ $n = 1390 / 1630\text{min}^{-1}$ $I = 0,24 / 0,24\text{A}$ $t_R = 50 / 70^\circ\text{C}$

Lwa = 64/ 68dB(A)

C = 1,5uF / 450V

Connection: cable

Ins.Cl. F

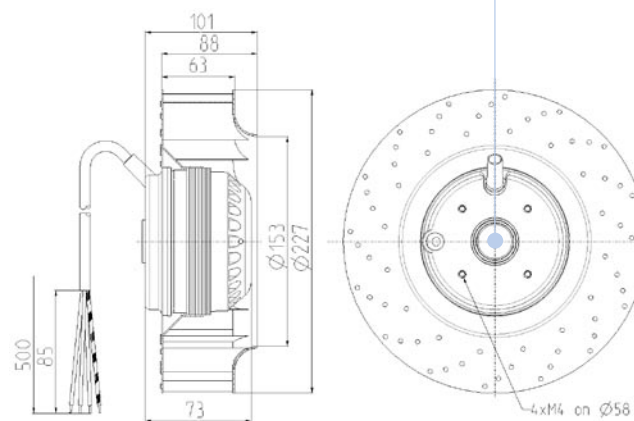
IP44

Backward curved**Type:**

R09T-2263D-4M-2502

Code:

0309-4-0267

**Weight:**

2,3 kg

R09_-2540D-2M-3510



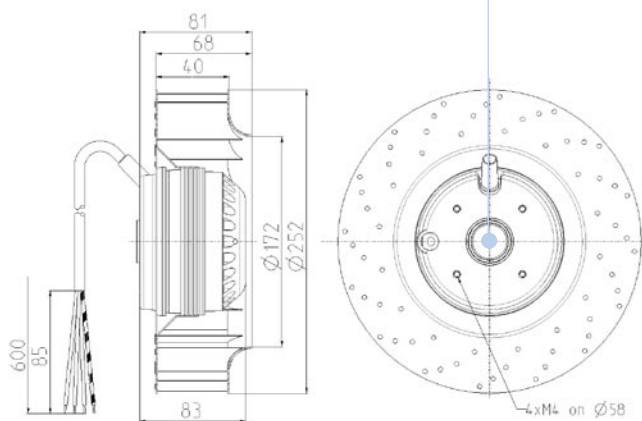
Diameter: 250 mm

Backward curved**Type:**

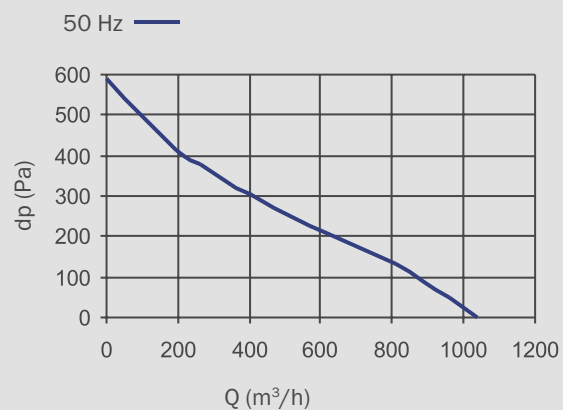
R09T-2540D-2M-3510

Code:

0309-4-0025

**Weight:**

2,6 kg

Aerodynamic characteristic:**Performance Data:**

1~230V 50Hz

 $P_1 = 120W$ $n = 2350\text{min}^{-1}$ $I = 0,52A$ $t_R = 50^\circ C$ $L_{wa} = 72\text{dB(A)}$ $C = 4\mu F / 450V$

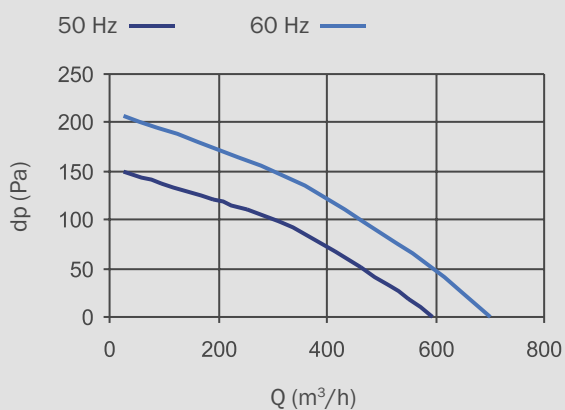
Connection: cable

Ins.Cl. F

IP44



R09_-2540D-4M-2502

Diameter: 250 mm**Aerodynamic characteristic:****Performance Data:**

1~230V 50/60Hz

 $P_1 = 43 / 50\text{W}$ $n = 1380 / 1600\text{min}^{-1}$ $I = 0,20 / 0,21\text{A}$ $t_R = 45 / 50^\circ\text{C}$ $L_{wa} = 65 / 68\text{dB(A)}$ $C = 1,5\mu\text{F} / 450\text{V}$

Connection: cable

Ins.Cl. F

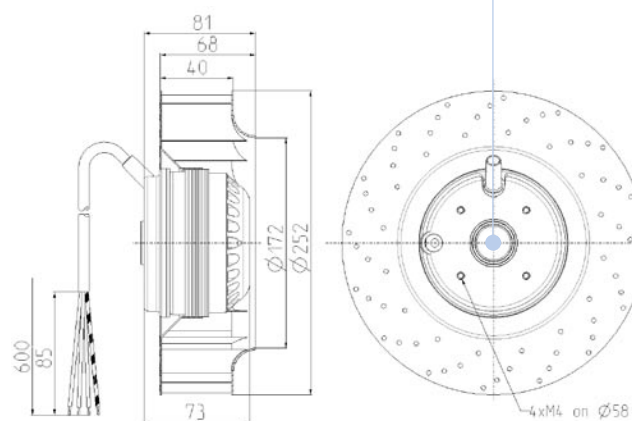
IP44

Backward curved**Type:**

R09T-2540D-4M-2502

Code:

0309-4-0065

**Weight:**

2,1 kg

R09_-2558D-4M-2502



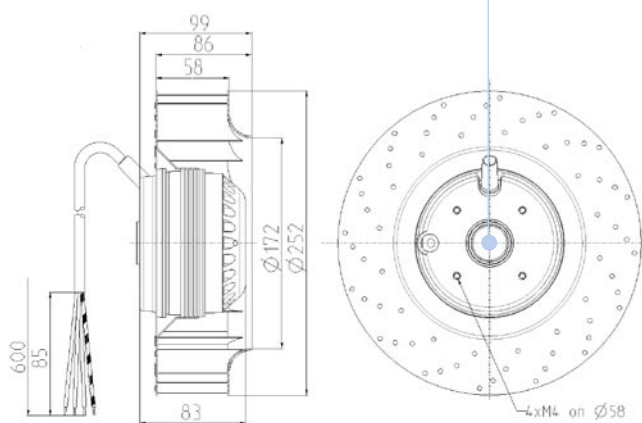
Diameter: 250 mm

Backward curved**Type:**

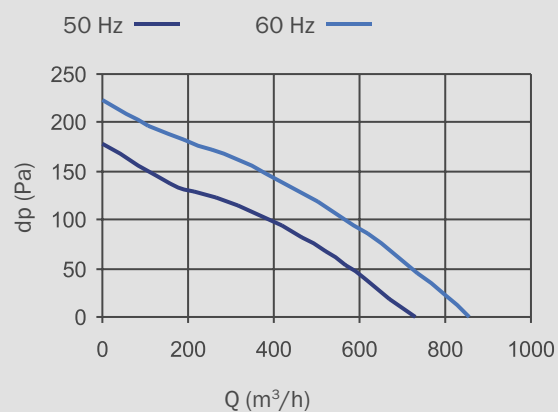
R09T-3558D-4M-2502

Code:

0309-4-0266

**Weight:**

2,3 kg

Aerodynamic characteristic:**Performance Data:**

1~230V 50/60Hz

 $P_1 = 50 / 55W$ $n = 1360 / 1560\text{min}^{-1}$ $I = 0,24 / 0,24A$ $t_R = 50 / 70^\circ\text{C}$

Lwa = 66 / 70dB(A)

C = 1,5uF / 450V

Connection: cable

Ins.Cl. F

IP44



R09X-2M-1533

Diameter: 150 mm**Performance Data:**

1~230V 50Hz

 $P_1 = 28W$ $n = 2500 \text{ min}^{-1}$ $I = 0,12A$ $C = 1\mu F / 450V$

Connection: cable

Ins.Cl. F

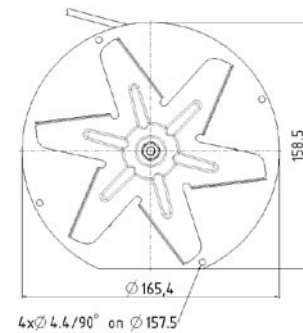
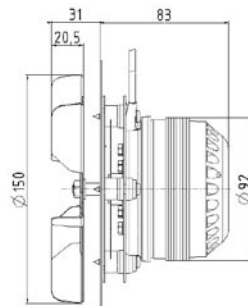
IP44

Type:

R09X-2M-1533

Code:

0309-4-0155

**Weight:**

1,9 kg

Notes:

On request, this fan is available also with Hall sensor.

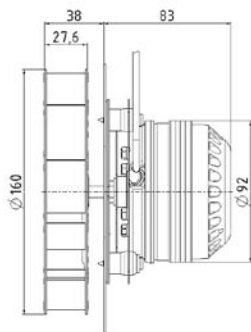
R09X-2M-1533



Diameter: 160 mm

Type:
R09X-2M-1533

Code:
0309-4-0312



Weight:
1,9 kg

Performance Data:

1~230V 50Hz

$P_1 = 35W$

$n = 2350 \text{ min}^{-1}$

$I = 0,15A$

$C = 1\mu F / 450V$

Connection: cable

Ins.Cl. F

IP44

Notes:

On request, this fan is available also with Hall sensor.



R09X-2M-2514

Diameter: 180 mm**Performance Data:**

1~230V 50Hz

 $P_1 = 80W$ $n = 2450 \text{ min}^{-1}$ $I = 0,36A$ $C = 2,5\mu F / 450V$

Connection: cable

Ins.Cl. F

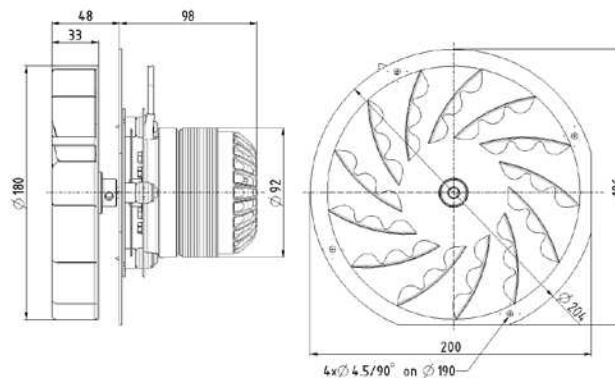
IP44

Type:

R09X-2M-2514

Code:

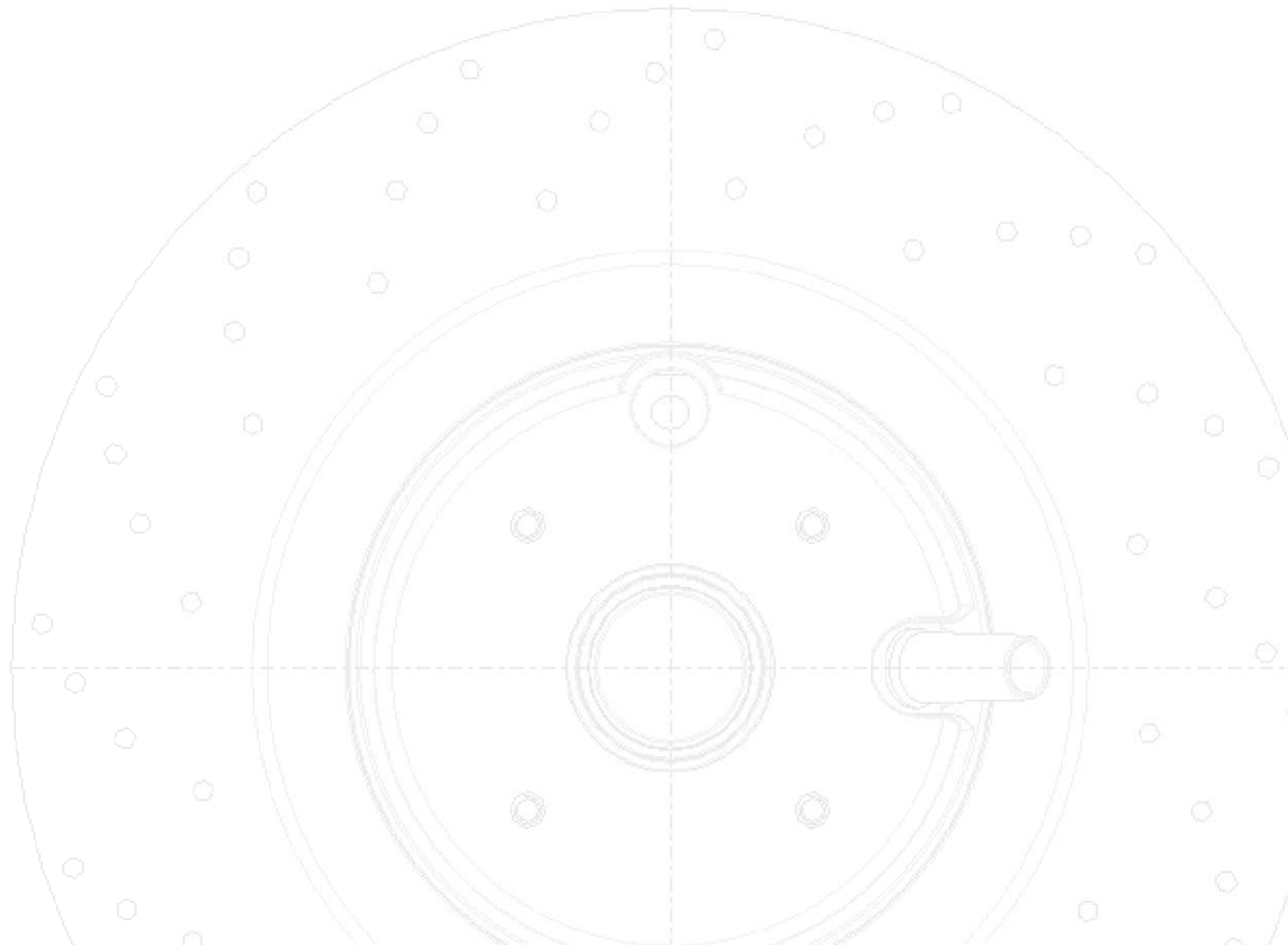
0309-4-0304

**Weight:**

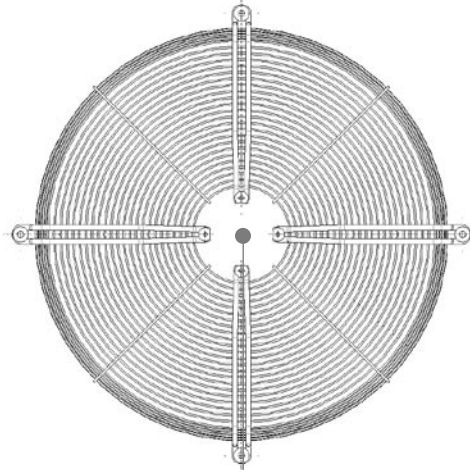
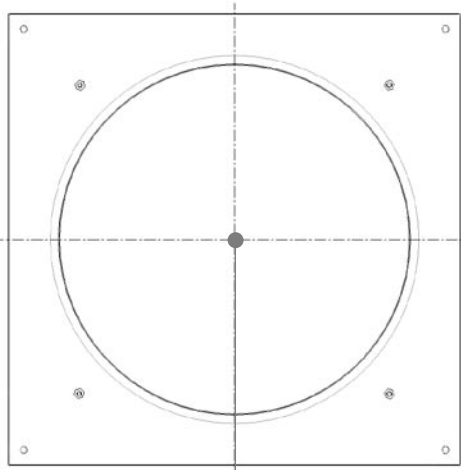
2 kg

Notes:

On request, this fan is available also with Hall sensor.



Centrifugal Fans



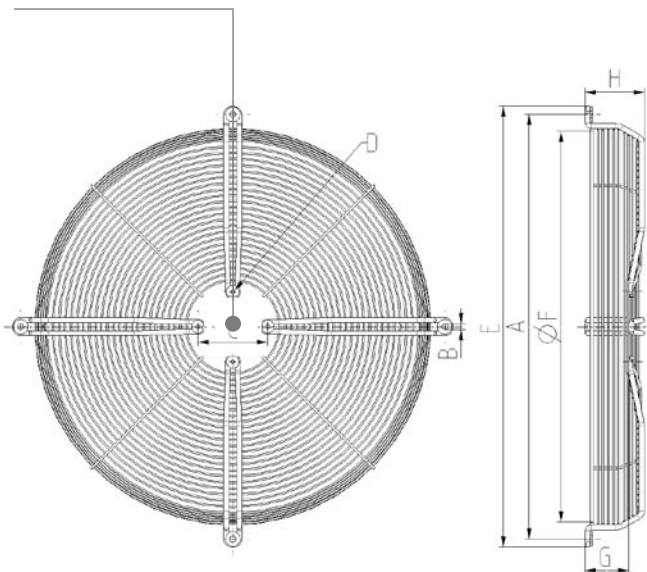
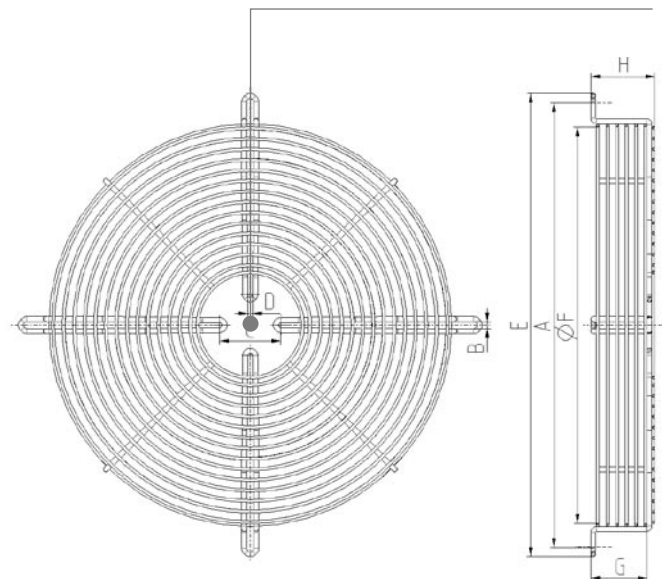
Accessories

Main dimensions - Basket grills Type 1

Fan dia	Motor type	A	B	C	D	E	ø F	G	H	Code
630	R13	750	ø 10,5	115	ø 10,5	784	690	70	96	0300-1-3006
560	R13	700	ø 10,5	115	ø 7	727	644	71,5	97,5	0300-1-3003
500	R13	565	ø 9,5	115	ø 7	589	522	70	96	0300-1-3004
450	R13	515	ø 9,5	115	ø 7	543	479	70	96	0300-1-3001

Main dimensions - Basket grills Type 2

Fan dia	Motor type	A	B	C	D	E	ø F	G	H	Code
450	R11	520	10	90	10	540	480	55	73	0300-1-3000
400	R11	455	ø 9,5	90	ø 6,5	476	422	76	84	0300-1-3026
350	R11	442	6,5	90	6,5	485	376	53	61	0300-1-3027
350	R09	422	6,5	58	6,5	440	376	53	61	0300-1-3008
315	R09	375	6,5	58	6,5	393	336	57	65	0300-1-3022
300	R09	360	6,5	58	6,5	376	316	35	43	0300-1-3009
250	R09	300	6,5	58	6,5	314	269	37	45	0300-1-3104
200	R09	260	6,5	58	6,5	274	230	37	45	0300-1-3103

Basket grills Type 1**Basket grills Type 2**

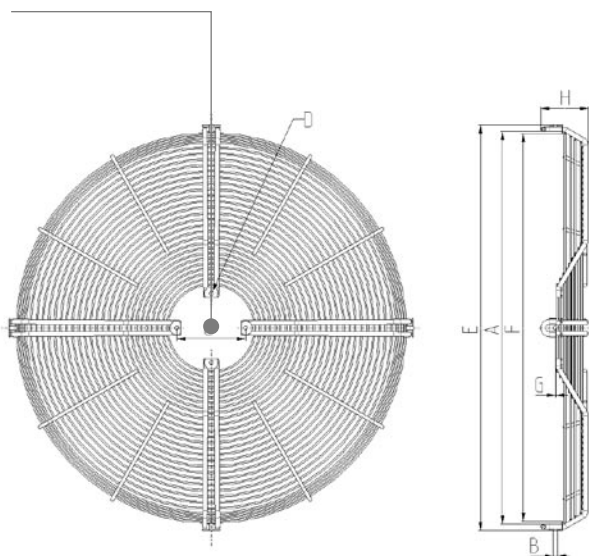
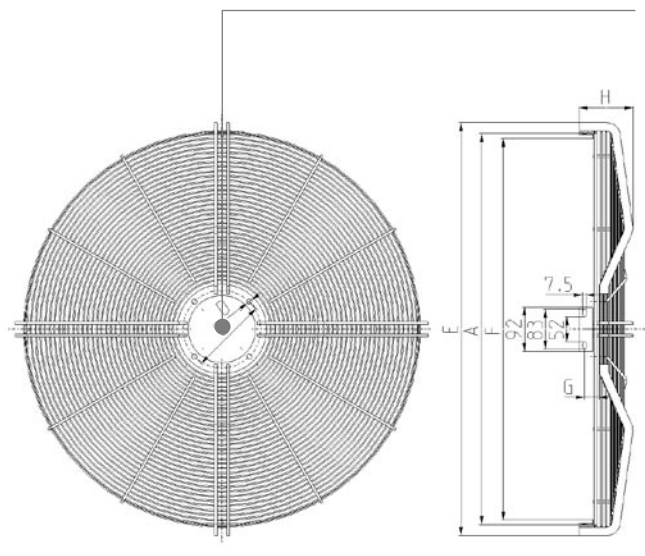
Notes: Surface finish: Black painted RAL9005

Main dimensions - Basket grills Type 3

Fan dia	Motor type	A	B	C	D	E	F	G	H	Code
630	R13	654	∅ 7	115	∅ 7	676	646	1	79	0300-1-3087
560	R13	579	∅ 7	115	∅ 7	601	571	17	94	0300-1-3089

Main dimensions - Basket grills Type 4

Fan dia	Motor type	A	B	C	D	E	F	G	H	Code
800	R18	816	7,5 x 15,5	182	∅ 11	816	795	30	112	0300-1-3072
710	R18	731	7,5 x 14,5	182	∅ 11	777	715	32	112	0300-1-3077

Basket grills Type 3**Basket grills Type 4**

Notes: Surface finish: Black painted RAL9005

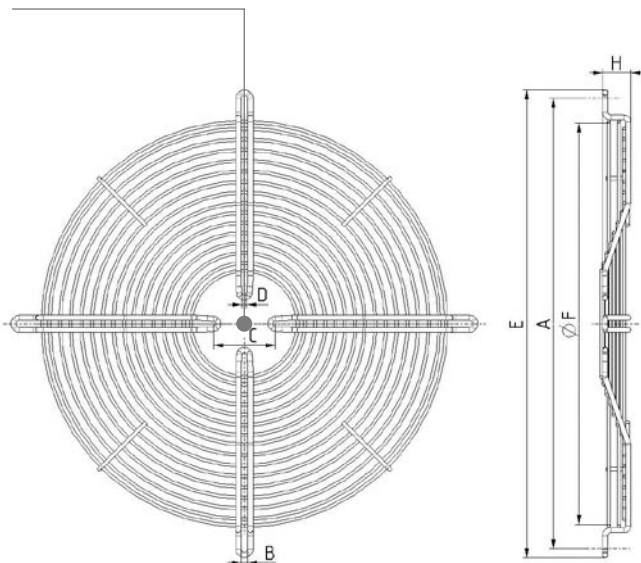
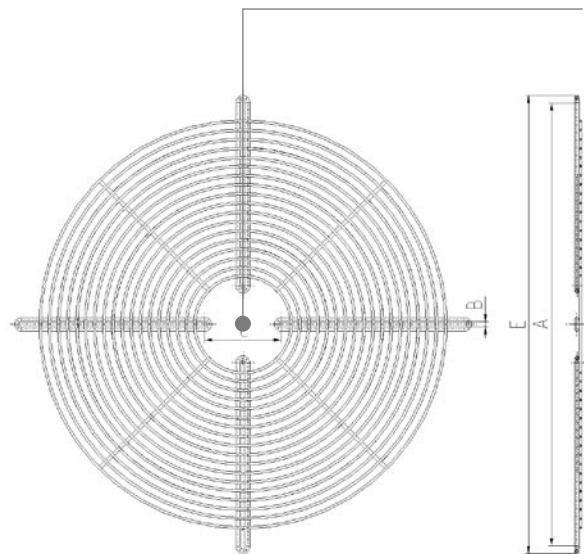
* Zincd

Main dimensions - Basket grills Type 5

Fan dia	Motor type	A	B	C	D	E				Code
350	R09	625	9,5	90	9,5	644				0300-1-3192
330	R09	565	9,5	90	6,5	586				0300-1-3193
315	R09	520	6,5	90	6,5	538				0300-1-3194
300	R09	467	6,5	90	6,5	490				0300-1-3195

Main dimensions - Flat grills

Fan dia	Motor type	A	B	C	D	E				Code
560	R11	625	9,5	90	9,5	644				0300-1-3032
500	R11	565	9,5	90	6,5	586				0300-1-3031
450	R11	520	6,5	90	6,5	538				0300-1-3030
400	R11	467	6,5	90	6,5	490				0300-1-3128
250 *	R09	300	5,5	58	5,5	264				0300-1-3095
200 *	R09	250	5,5	58	5,5	314				0300-1-3094

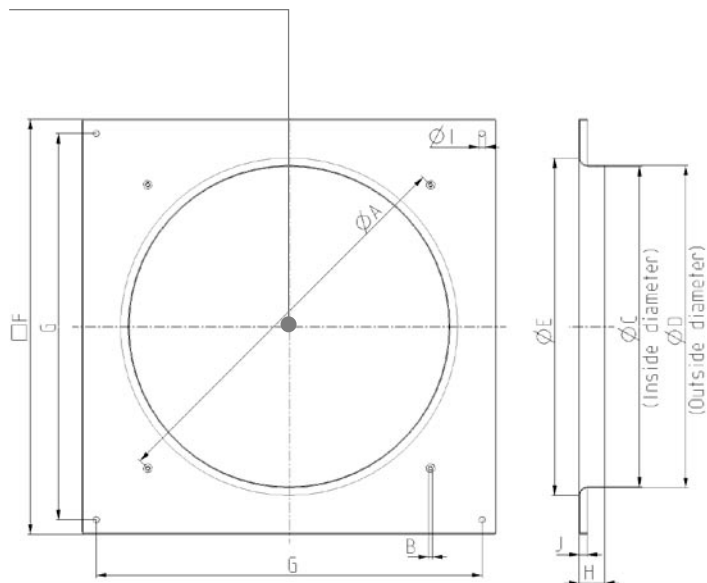
Basket grills Type 5**Flat grills**

Notes: Surface finish: Black painted RAL9005

Main dimensions - Square short wall plates

Fan dia	Airflow direction	A	B	ø C	ø D	ø E	q F	G	H	ø I	J	Code
630	sucking	750	M8	635	638	675	805	750	60	11	15	0300-6-7106
630	blowing	750	M8	635	638	675	805	750	60	11	15	0300-6-7071
560	sucking	700	M8	560	563	590	725	675	45	11	15	0300-6-7108
560	blowing	700	M8	560	563	590	725	675	45	11	15	0300-6-7083
500	sucking	565	M8	504	507	534	655	615	45	11	15	0300-6-7110
500	blowing	565	M8	504	507	534	655	615	45	11	15	0300-6-7081
450	sucking	515	M8	452	455	482	575	535	45	11	15	0300-6-7112
450	blowing	515	M8	452	455	482	575	535	45	11	15	0300-6-7069
400	sucking	455	M8	403	406	433	540	490	45	11	15	0300-6-7114
400	blowing	455	M8	403	406	433	540	490	45	11	15	0300-6-7079
350	sucking	422	M6	360	363	390	485	435	45	11	15	0300-6-7116
350	blowing	422	M6	360	363	390	485	435	45	11	15	0300-6-7077
330	sucking	400	M6	337	340	367	485	435	45	11	15	0300-6-7118
330	blowing	400	M6	337	340	367	485	435	45	11	15	0300-6-7104
315	sucking	375	M6	319	322	349	430	380	45	11	15	0300-6-7120
315	blowing	375	M6	319	322	349	430	380	45	11	15	0300-6-7075
300	sucking	360	M6	307	310	337	430	380	45	11	15	0300-6-7122
300	blowing	360	M6	307	310	337	430	380	45	11	15	0300-4-7073

Square short wall plates

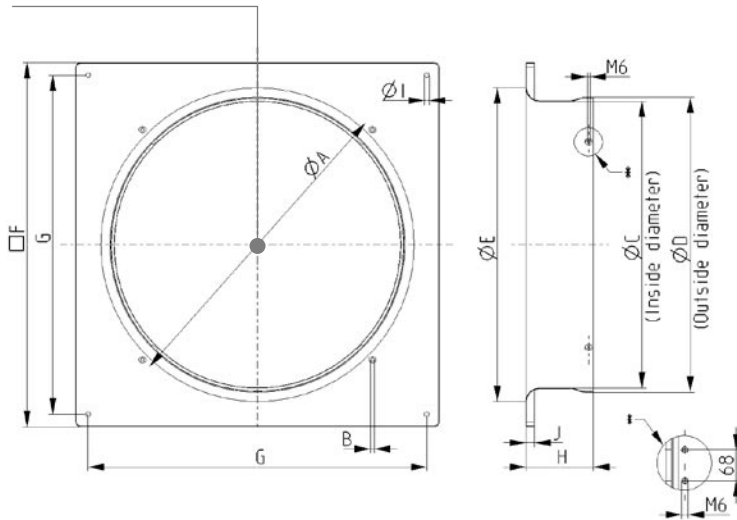


Notes: Surface finish: Black painted RAL9005

Main dimensions - Square long wall plates

Fan dia	Airflow direction	A	B	ø C	ø D	ø E	q F	G	H	ø I	J	Code
800 *	sucking	/	/	797	815	915	970	910	210	14,5	17	0300-6-7068
710 *	sucking	/	/	711	729	790	850	810	167	14,5	20	0300-6-7085
630	sucking	720	M8	634	653	695	805	750	150	11	20	0300-6-7091
560	sucking	658	M8	560	577	630	725	675	135	11	16	0300-6-7095
500	sucking	615	M8	504	518	580	656	615	118	11	16	0300-6-7089
450	sucking	560	M8	451	465	530	576	535	110	11	14	0300-6-7161

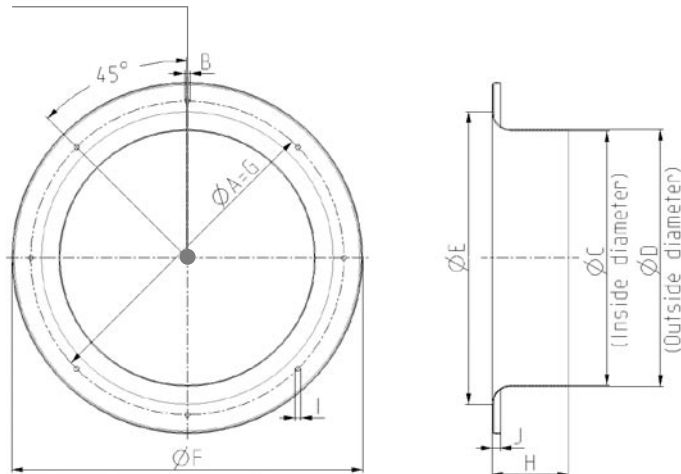
Square long wall plates



Main dimensions - Round long wall plates type 1

Fan dia	Airflow direction	A	ø B	ø C	ø D	ø E	ø F	G	H	ø I	J	Code
200	blowing	250	4,3	203	206	233	280	250	61	6,4	6,5	0300-6-7102
250	blowing	300	4,3	253	256	287	330	300	65	6,4	7,5	0300-6-7103

Round long wall plate Type 1

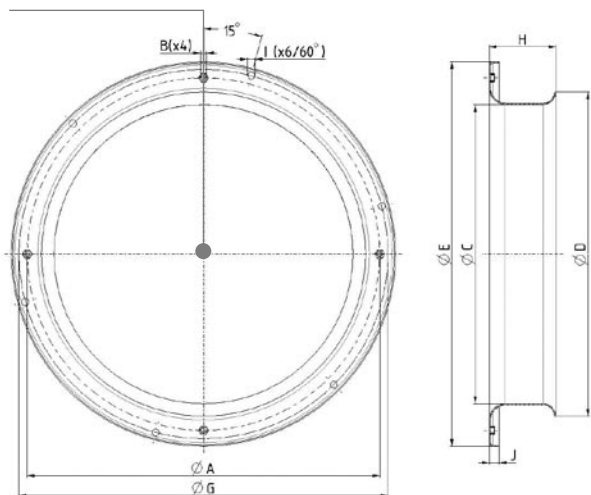


Notes: Surface finish: Black painted RAL9005

Main dimensions - Round long wall plates type 2

Fan dia	Airflow direction	A	B	ø C	ø D	ø E	q F	G	H	ø I	J	Code
350	sucking	422	M6	358	388	460	/	442	80	9	12	0300-6-7150
330	sucking	408	M6	336	369	440	/	404	80	9	9	0300-6-7148
315	sucking	376	M6	317	347	397	/	381	74	9	11	0300-6-7146
300	sucking	361	M6	306	326	397	/	380	80	9	11	0300-4-7144

Round long wall plate Type 2



Sales and distribution:

AUSTRALIA and NEW ZEALAND

HIDRIA AUSTRALIA Pty
84 Nortgate Drive,
Thomastown, Vic 3074
Australia
Tel: +61 3 94642066
Fax: +61 3 94642077
e-mail: sales@hidria.com.au

GERMANY

Sales office:
Helmut Muehlenhoff
Taubenstr. 18
85591 Vaterstetten
Tel: +49(0)81069958944
Fax: +49(0)89069958945
e-mail:
helmut.muehlenhoff@t-online.de

GREECE

Sivar
Lasithiou Str. 6
121-32 Peristeri
Athens, Greece
Tel: +30 2105785003
Web: www.sivar.gr
e-mail: info@sivar.gr

ITALY

SI.VEN Components s.r.l.
Via P. Gorini 44
26900 LODI
Italy
Tel: 0039 0371428249
Fax: 0039 0371428305
e-mail: si.ven@tiscali.it

MALTA

BLYE Engineering Co. Ltd.
Naxxar Road,
San Gwann SNG 07
Malta
Tel: 00356 21 373282/3
Fax: 00356 21 371642
e-mail: blye@blyeeng.com

NORWAY

HILLCO AGENTURER AS
Stromsveien 346,
P.O. Box 11 Leirdal
1008 OSLO
Norway
Tel: +47 23175280
Fax: +47 23175281
e-mail: halto@online.no

SLOVENIJA

EMPOR
Leskoškova 9a
1000 Ljubljana
Tel: +386 1 5203820
Fax: +386 1 5203838
Web: www.empor.si
e-mail: empor@empor.si

SWEDEN and DENMARK

NORDICOLD AB
Datavägen 16,
43632 ASKIM
Sweden
Tel: +46 31680440
Fax: +46 31285291
Web: www.nordicold.se
e-mail: info@nordicold.se

TURKEY

FRIGOTERM Sog.Cih.San. ve Tic. A.S.
Tarlabasi Caddesi No. 110,
80080 BEYOGLU - ISTANBUL
Turkey
Tel: +90(0)2122371929
Fax: +90(0)2122550114
e-mail: international@frigoterm.tr

FINLAND and ESTONIA

REPAIR OY
Atomitie 1 FIN-00370 HELSINKI
Finland
Tel: +358 9 5657780
Fax: +358 9 5657780
e-mail: info@repair.fi

USA

Hidria USA Inc.
202 Beechtree Business Park
Greenville, SC 29605
Tel: +1 864 331 0177
Fax: +1 864 331 0178
e-mail: sarah.davis@ht-usa.com

FAR EAST

Hidria GmbH Shanghai Representative Office
Add: Rm1408, Hitech Plaza,
No.488 Wuning Rd(S),
JingAn District,
Shanghai 200042
Tel: 0086-21-51182399
Mobile: 13671513393
Fax: 0086-21-51182398
Web: www.hidria.com
e-mail: xiaoyuan.zhao@hidria.com

FRANCE

SERHMIS sarl,
12 rue du 8 Mai 1945
69650 Saint Germain au mont d'or
France
Tel: +33 (0)4 69 16 86 57
Fax: +33 (0)4 72 42 38 90
Mobile: +33 (0)6 01 96 77 53
e-mail: serhmis@cegetel.net

SERBIA

FRIGO RADAK COMPANY D.O.O.
Đurđevdanska 20
11000 Beograd
Serbia
Tel/Fax: +381 11 3945577
Mobile: +381 63 318539



Hidria

Produced by:

Hidria Rotomatika d.o.o.

Spodnja Kanomlja 23
5281 Spodnja Idrija,
Slovenia
Phone: +386 5 3756 000
Fax: +386 5 3756 471
e-mail: sales.fans@hidria.com
Web: www.hidria.com