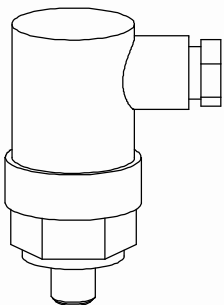
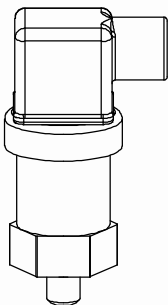
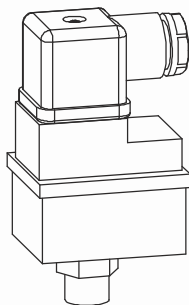
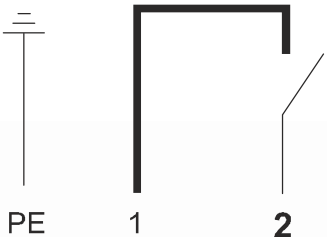
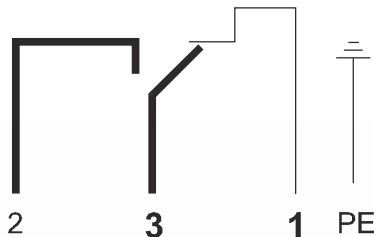
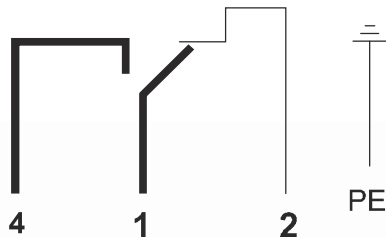
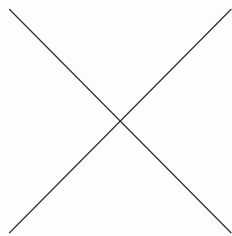
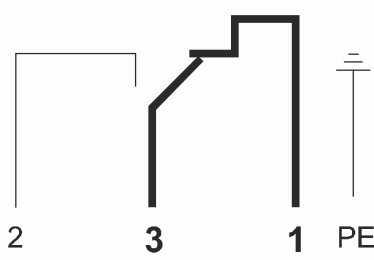
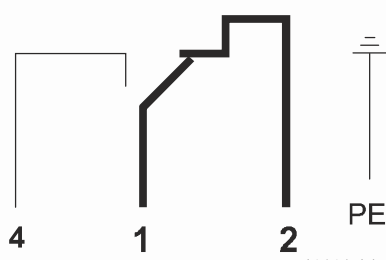


Replacement of the pressure switch

Connection diagram

pressure switch, 3-pin (065070014)	pressure switc, 4- pin (10023662)	pressure switch, 4- pin (10071576)
historical	historical	
		
Normally open contact variant (open when unpressurised)		
		
Normally closed contact variant (closed when unpressurised)		
		

12629-01

12629-01

12629-01

Assembly group

Part number	Description	Note
10045924	Pressure switch assembly (complete), comprising:	only for alpha.c units
historical		
• 10023662	Pressure switch (item 1)	Rp $\frac{1}{8}$ "
• 10029317	Reducing adapter (item 2)	R $\frac{1}{4}$ " x Rp $\frac{1}{8}$ " AxI Rg
• 058603106	Elbow (item 3)	90° Rp $\frac{1}{4}$ " x R $\frac{1}{4}$ " IxA MS

Successor

10224173	Pressure switch assembly (complete), comprising:	only for alpha.c units
• 10071576	Pressure switch (item 1)	G $\frac{1}{4}$ "
• 066130023	Profile seal	
• 066130027	Plug, solenoid valve	
• 058603106	Elbow (item 3)	90° Rp $\frac{1}{4}$ " x R $\frac{1}{4}$ " IxA MS
• 10200669	Reducing adapter (item 2)	R $\frac{1}{4}$ " x Rp $\frac{1}{8}$ "

10023662	Pressure switch	Rp$\frac{1}{8}$"
-----------------	------------------------	------------------------------------

Successor

10200867	Pressure switch assembly (complete), comprising:	
• 10071576	Pressure switch (item 1)	G $\frac{1}{4}$ "
• 10200669	Reducing adapter (item 2)	R $\frac{1}{4}$ " x Rp $\frac{1}{8}$ "

Replacement

⚠ WARNING

Danger to life due to electrical hazard!

There is a risk of death by electric shock if the connected voltages are not correct.

- Only qualified and specialised personnel is authorised to perform the connection.
- Compare the connection voltage to the voltage that is stated on the type plate.
- Comply with the specifications of the circuit diagram.

NOTICE

The pressure switch may be damaged when turning the upper screw connection!

The stainless-steel gauging member will be damaged when the upper screw connection (2) is turned.

Tighten only the lower union nut (1) with a spanner (15 to 20 Nm).

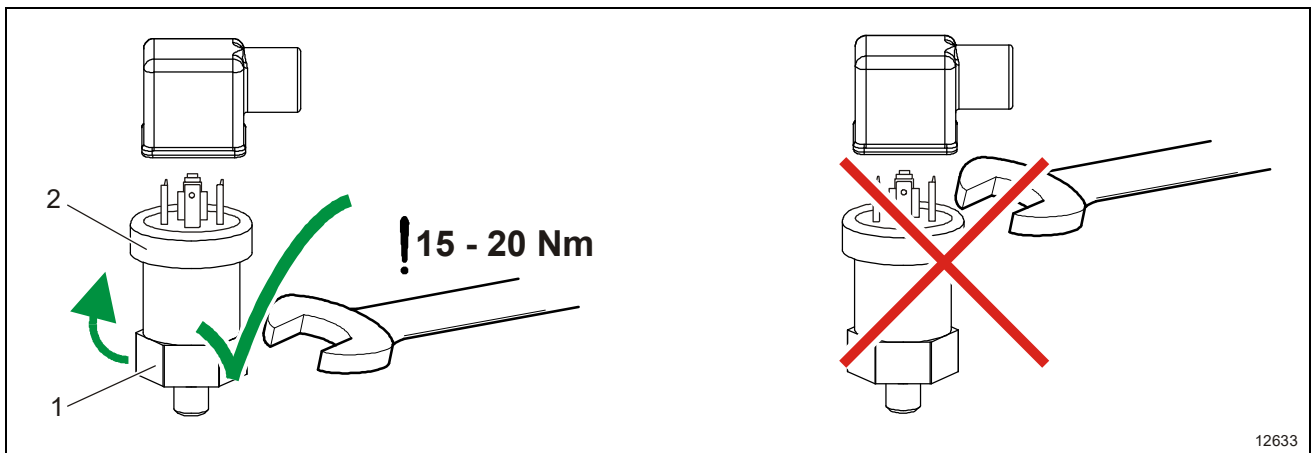


Fig. 1: Tightening of the pressure switch (example)

NOTE

Prior to replacing the pressure switch, depressurise the pipes of the unit.

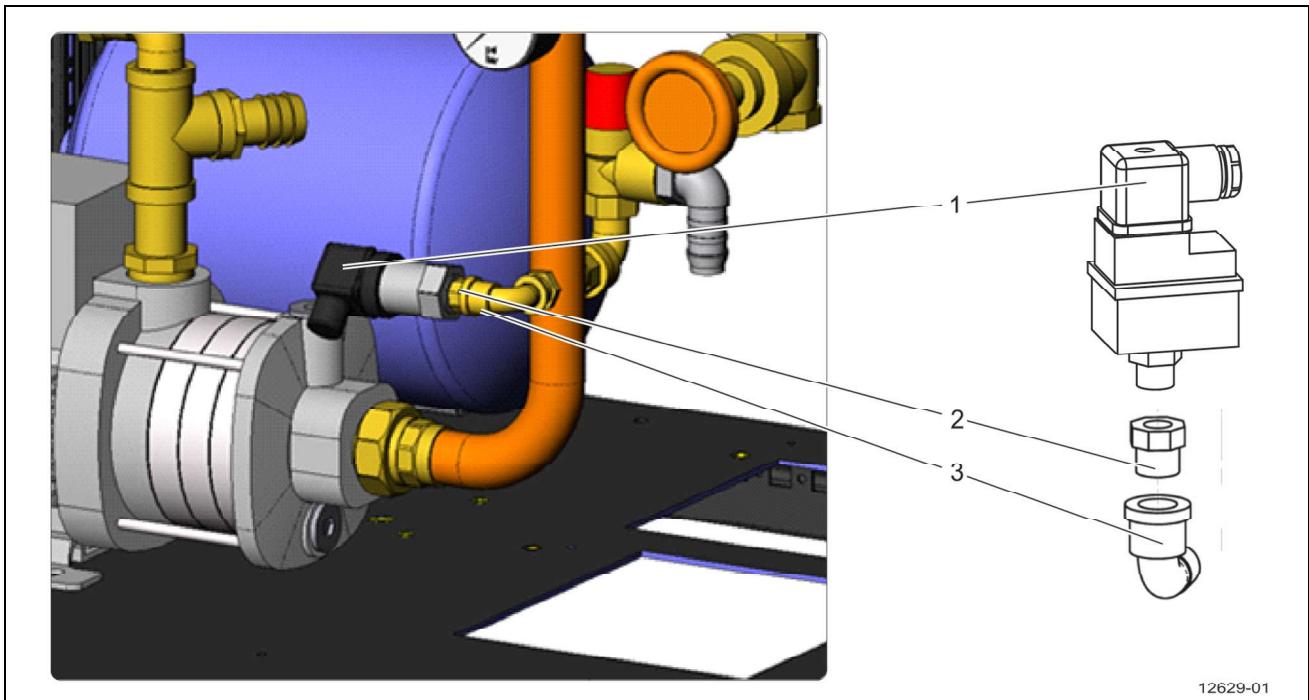


Fig. 2: Pressure switch, positioning of the spare parts in the case of alpha.c units (example)

Replace the pressure switch as follows:

1. Disconnect the unit from the power supply in order to deenergise it.
2. Depressurise the pipes of the unit.
3. Remove the old 3-pin pressure switch and reducing adapter by loosening the lower union nut.
4. Screw the elbow (3) in and seal it (e.g. with Teflon tape).
5. Screw the new pressure switch (1) and, if necessary, reducing adapter (2) in and seal them (e.g. with Teflon tape).
6. Switch the unit on again.
7. Check the unit for leaks and correct operation.