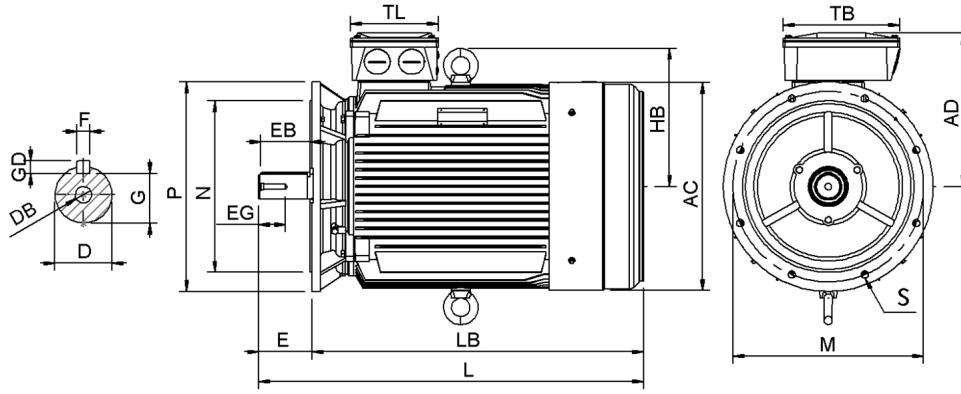


Data Sheet

Itemnumber....: 5542500200



| | | | | | | |
|----------|----------|---------|----------|----------|-------------|----------|
| AC = 484 | DB = M20 | EG = 56 | GD = 11 | LA = 22 | N = 450 | T = 5 |
| AD = 374 | E = 140 | F = 18 | HB = 316 | LB = 769 | P = 550 | TB = 305 |
| D = 65 | EB = 130 | G = 58 | L = 909 | M = 500 | S = 8-Ø18,5 | TL = 230 |

Version

Type.....: HMC3 250M-4
 Design.....: Induction motor
 Standard series.....: IEC 60034
 Phase / Voltage range.....: 3~ / Low

Electrical design

Efficiency.....: IE3
 Pole.....: 4
 Power at 50 Hz (kW).....: 55,0
 Hz.....: 50
 Voltage.....: 400VD/690VY
 Winding voltage.....: 400VD/690VY 50 Hz
 Power output (kW).....: 55,0
 Duty.....: S1
 Insulation class.....: F
 Temperature rise.....: B

Motor protection

Thermal protection main....: PTC 3x 155 dgr
 Thermal protection second..: None
 Space heater.....: None
 Temperature detector.....: No
 SPM.....: No
 IR wire.....: No
 Tropical insulation.....: No

Explosion protection

According to.....: None
 Type of protection.....: None

General

Direction of rotation.....: CW
 Painting.....: RAL 9005
 Nameplate.....: Multivoltage
 Special packing.....: No
 Special requirements.....: No

Mechanical design

Frame size.....: 250
 Mounting.....: B5
 Rain cap.....: No
 Protection class.....: IP55
 Cooling method.....: IC411/TEFC
 External grounding.....: Yes
 Drain hole.....: Yes
 Frame material.....: Cast Iron
 Material approval.....: None
 Shaft.....: IEC standard
 Key.....: Closed key
 Balancing.....: Half key balancing
 Vibration class.....: Grade-A
 Weight (kg).....: 464

Environment condition

Ambient temp. min. (°C)..: -20
 Ambient temp. max. (°C)..: 40
 Altitude (mtr up to).....: 1000

Bearing

DE Bearing.....: 6314/C3
 NDE Bearing.....: 6313/C3
 Fixed bearing.....: DE

Terminal box

Tbox position.....: Top
 Cable entry direction.....: Right (from DE)
 Cable entry
 Main.....: 2 x M63x1,5
 Plastic blindcaps
 Accessory.....: 2 x M20x1,5
 Plastic blindcaps
 Terminal board thread.....: 6-M10

Test values

Rotor inertia (kgm²).....: 1,01
 Noise level (dB(A)).....: 71
 No load current (A).....: 30,5
 Winding resist. (ohm).....: 0,079
 Starting time (sec.).....: 0,17
 Temp. rise winding (K).....: 60
 Temp. rise surface (K).....: 42

| | | | | |
|-------------------------------------|------------------|------------------|------------------|------------------|
| Rated power (kW) | 55,0 | 53,5 | 66,0 | 64,0 |
| Frequency (Hz) | 50 | 50 | 60 | 60 |
| Voltage (V) | 400 690 | 380 660 | 480 830 | 440 |
| Connection | D Y | D Y | D Y | D |
| Full load current (A) | 96,0 55,5 | 99,0 57,5 | 96,0 55,5 | 99,0 |
| Speed (rpm) | 1480 | 1480 | 1780 | 1780 |
| Power factor cos(phi) | 0,88 | 0,89 | 0,88 | 0,90 |
| Efficiency, 100/75/50 (%) | 94,6/ 94,6 /93,9 | 94,6/ 94,6 /93,9 | 94,6/ 94,6 /93,9 | 94,2/ 94,3 /93,5 |
| Ist/In | 8,50 | 7,50 | 8,50 | 7,80 |
| Full load torque (Nm) | 355 | 345 | 355 | 345 |
| Tst/Tn | 3,00 | 2,80 | 3,00 | 2,60 |
| Tmax/Tn | 3,10 | 2,90 | 3,10 | 2,70 |
| Duty | S1 | S1 | S1 | S1 |
| Ambient temp. (°C) | 40 | 45 | 40 | 45 |