

BIDIREZIONALE
BI-ROTATIONAL



BPS

Pompa ad Ingranaggi
Gear Pump

CODICE DI ORDINAZIONE - ORDERING CODE

200 BPS OXX 0 X

0 = ATTACCHI POSTERIORI
REAR PORT
1 = ATTACCHI LATERALI
SIDE PORT

CILINDRATA - DISPLACEMENT

TIPO - TYPE

POMPA AD INGRANAGGI - GEAR PUMP

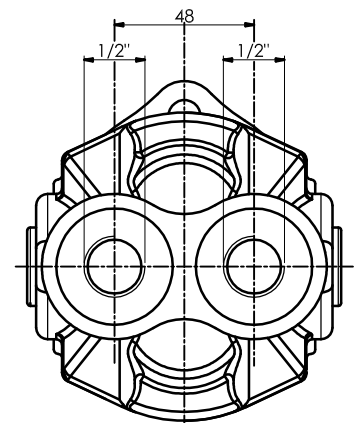
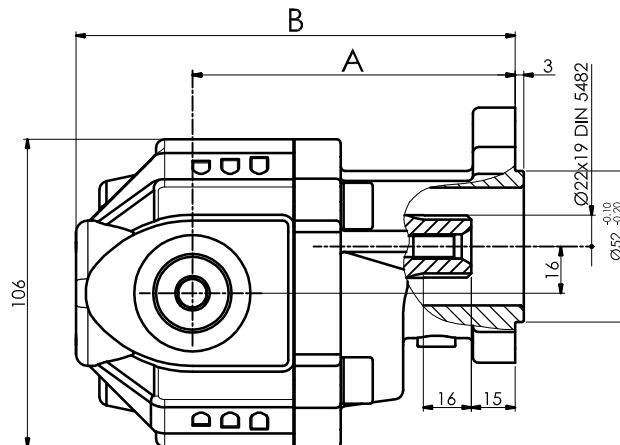
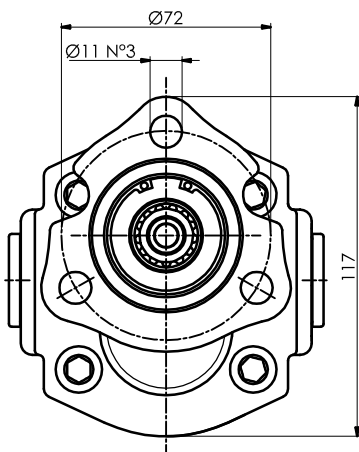
DIN 5482

BPS 11
BPS 16
BPS 22
BPS 28
BPS 32



CARATTERISTICHE E DATI TECNICI - SPECIFICATIONS AND TECHNICAL DATA

TIPO TYPE	CODICI CODE	CILINDRATA DISPLACEMENT cm ³ /rev	A mm	B mm	ASPIRAZIONE INLET	MANDATA OUTLET	PESO WEIGHT Kg
BPS 11	200BPS0110X	11.5	103.5	143.5	1/2"G	1/2"G	5.5
BPS 16	200BPS0160X	16.4	111	151	1/2"G	1/2"G	5.85
BPS 22	200BPS0200X	20.5	117.5	157.5	1/2"G	1/2"G	6.2
BPS 28	200BPS0280X	28.6	111.3	170.3	3/4"G	3/4"G	6.6
BPS 32	200BPS0320X	32.6	117.5	176.5	3/4"G	3/4"G	7



TIPO - TYPE			BPS 11	BPS 16	BPS 22	BPS 28	BPS 32
CILINDRATA DISPLACEMENT	Vg	Cm ³ /n Cm ³ /rev.	11.5	16.4	20.5	28.7	32.6
PRESSIONE MASSIMA CONTINUA MAX. CONTINUOUS OPERATING PRESSURE	P1	bar	280	280	260	220	190
PRESSIONE MASSIMA INTERMITTENTE MAX. INTERMIT. OPERATING PRESSURE (MAX. 30 S)	P2		310	300	280	250	210
PRESSIONE MASSIMA DI PICCO MAX. PEAK PRESSURE (<= 0.1 S)	P3		320	310	290	260	220
VELOCITA' MASSIMA INTERMITTENTE MAX. INTERMITTENT SPEED (P<=20 bar)	N3	n/min. r.p.m.	2700	2700	2700	2700	2700
VELOCITA' MASSIMA CONTINUA MAX. CONTINUOUS SPEED (<=P1)	N1		2200	2200	2000	2000	2000
VELOCITA' MINIMA INTERMITTENTE MIN. INTERMITTENT SPEED (<=P2x0.5) (MAX. 30 S)	N4		450	450	450	450	450