

**! Pressure inlet only from center port (port 2)!**

## AVAILABLE SIZES

DN4 - DN50 (1/8" to 2")

## CONNECTIONS

DIN ISO 228 Female thread, ANSI B1.20.1 NPT Female thread, DIN 2353/ISO 8434-1 Light / Heavy series, SAE J 514/ISO/DIS11926-1 Female thread, others on request

## ACCESSORIES ON REQUEST

- Locking devices page 230 - 233
- Actuators 228 - 229
- Mounting holes 19
- Position switches 236 - 237
- Combinations 198 - 199
- Detent on request

## MATERIAL CODE DESCRIPTION

Materials	112A	112A	1128	1128
Body	Steel	Steel	Steel	Steel
Ball	Steel	Steel	Steel	Steel
Stem	Steel	Steel	Steel	Steel
Ball seats	POM	POM	POM	POM
O-rings	NBR	NBR	FPM	FPM
Tmin /Tmax	-20°C / 100°C	-20°C / 100°C	-20°C / 100°C	-20°C / 100°C
Porting pattern	L=SB50	T=SB51	L=SB50	T=SB51

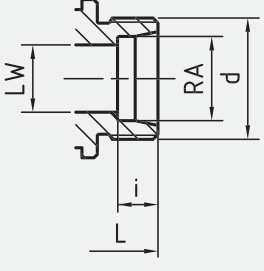
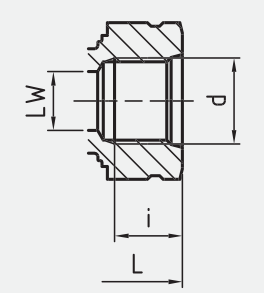
## GENERAL DIMENSIONS

Type	l	b	B	H	h	m	V	SW	K	H <sub>1</sub>	H <sub>2</sub>	Lever
BK3-DN4	40	13	29	47	33	13,5	11	9	115	-	82	Zn
BK3-DN6	40	13	29	47	33	13,5	11	9	115	-	82	Zn
BK3-DN8	40	13	29	47	33	13,5	11	9	115	-	82	Zn
BK3-DN10	43	16	35	52	38	17,5	11	9	115	-	86	Zn
BK3-DN13	48	17,5	38	54	40	19	11	9	115	-	89	Zn
BK3-DN20	62	24,5	52	75	57	24,5	14	14	200	79	-	Zn
BK3-DN25	66	29	61	83	65	29,5	14	14	200	87	-	Zn
BK3-DN25/32	66	29	61	83	65	29,5	14	14	200	87	-	Zn
BK3-DN32	81	39	-	106	84,5	39	16,5	17	320	115	-	Al
BK3-DN40	104	53	-	127	106	53	16,5	17	320	136	-	Al
BK3-DN50	118	58	-	137	116	58	16,5	17	320	146	-	Al

CONNECTION TYPE	DIMENSIONS								ORDER CODE PER MATERIAL COMBINATION					
DIN ISO 228 FEMALE THREAD	Type	LW	L	S	LW <sub>1</sub>	i	d	Weight [Kg]	PN [bar]	112A L=SB50	112A T=SB51	1128 L=SB50	1128 T=SB51	
	BK3-DN4-G1/8	5	69	34,5	4	10	G1/8	0,40	500	02347*	02401*	03236*	03247*	
	BK3-DN6-G1/4	6	69	34,5	6	14	G1/4	0,46	500	02849*	02408*	03237*	03248*	
	BK3-DN10-G3/8	10	72	36	10	14	G3/8	0,60	500	02398*	02413*	03238*	03249*	
	BK3-DN13-G1/2	13	83	41,5	13	16,3	G1/2	0,70	500	02429*	02430*	03239*	03250*	
	BK3-DN13-G5/8	13	83	41,5	13	16	G5/8	0,70	500	02850*	02851*	03240*	03251*	
	BK3-DN20-G3/4	20	95	47,5	20	18	G3/4	1,80	315	02708*	02770*	03241*	03252*	
	BK3-DN25-G1	25	113	56,5	25	20	G1	2,40	315	02711*	02773*	03242*	03253*	
	BK3-DN25/32-G1 1/4	25	120	57	25	22	G1 1/4	2,64	315	02714*	02776*	03243*	03254*	
	BK3-DN32-G1 1/4	30	111	55	30	22	G 1 1/4	4,80	350	32154*	32685*	33571*	38015*	
	BK3-DN40-G1 1/2	38	130	65	38	24	G 1 1/2	8,90	350	31980*	32038*	36033*	38016*	
	BK3-DN50-G2	48	150	75	48	26	G2	12,40	350	38005*	38014*	36034*	38017*	
ANSI B1.20.1 NPT FEMALE THREAD	Type	LW	L	S	LW <sub>1</sub>	i	d	Weight [Kg]	PN [bar]	112A L=SB50	112A T=SB51	1128 L=SB50	1128 T=SB51	
	BK3-DN4-1/8" NPT	5	69	34,5	4	10,5	1/8" NPT	0,40	500	40221*	40222*	15710*	40223*	
	BK3-DN6-1/4" NPT	6	69	34,5	6	13,7	1/4" NPT	0,46	500	13221*	38049*	11333*	25912*	
	BK3-DN10-3/8" NPT	10	72	36	10	13,5	3/8" NPT	0,60	500	41291*	38050*	11607*	25913*	
	BK3-DN13-1/2" NPT	13	83	41,5	13	17	1/2" NPT	0,70	500	41292*	17198*	11608*	25914*	
	BK3-DN20-3/4" NPT	20	95	47,5	20	18,3	3/4" NPT	1,80	315	15425*	38051*	11609*	25915*	
	BK3-DN25-1" NPT	25	113	56,5	25	21,6	1" NPT	2,40	315	15426*	22926*	11610*	25916*	
	BK3-DN25/32-1 1/4" NPT	25	120	57,5	25	22,1	1 1/4" NPT	2,64	315	38030*	36499*	38032*	25917*	
	BK3-DN32-1 1/4" NPT	30	120	60	30	22,1	1 1/4" NPT	5,24	350	35517*	38052*	36538*	38055*	
	BK3-DN40-1 1/2" NPT	38	140	70	38	22,1	1 1/2" NPT	10,00	350	38031*	38053*	38033*	38056*	
	BK3-DN50-2" NPT	48	150	75	48	30,2	2" NPT	12,20	350	35519*	38054*	38034*	38057*	
	DIN 2353 / ISO 8434-1 LIGHT SERIES	Type	LW	RA	L	S	LW <sub>1</sub>	i	d	Weight [Kg]	PN [bar]	112A L=SB50	112A T=SB51	1128 L=SB50
	BK3-DN4-6L	5	6	67	33,5	4	7	M 12x1,5	0,30	500	02349*	02403*	03214*	03225*
	BK3-DN6-8L	6	8	67	33,5	6	7	M 14x1,5	0,40	500	02348*	02402*	03215*	03226*
	BK3-DN8-10L	8	10	74	34,5	8	7	M 16x1,5	0,40	500	02396*	02409*	03216*	03227*
	BK3-DN10-12L	10	12	74	36,5	10	7	M 18x1,5	0,50	500	02416*	02417*	36116*	03228*
	BK3-DN13-15L	13	15	82	41	13	7	M 22x1,5	0,65	500	02425*	02426*	03218*	03229*
	BK3-DN13-18L	13	18	82	41,5	13	7,5	M 26x1,5	0,69	500	02847*	02848*	03219*	03230*
	BK3-DN20-22L	20	22	101	48	20	7,5	M 30x2	1,50	315	02706*	02768*	03220*	03231*
	BK3-DN25-28L	25	28	108	54	25	7,5	M 36x2	2,10	315	02709*	02771*	03221*	03232*
	BK3-DN25/32-35L	25	35	112	56	25	10,5	M 45x2	2,50	315	02712*	02774*	03222*	03233*

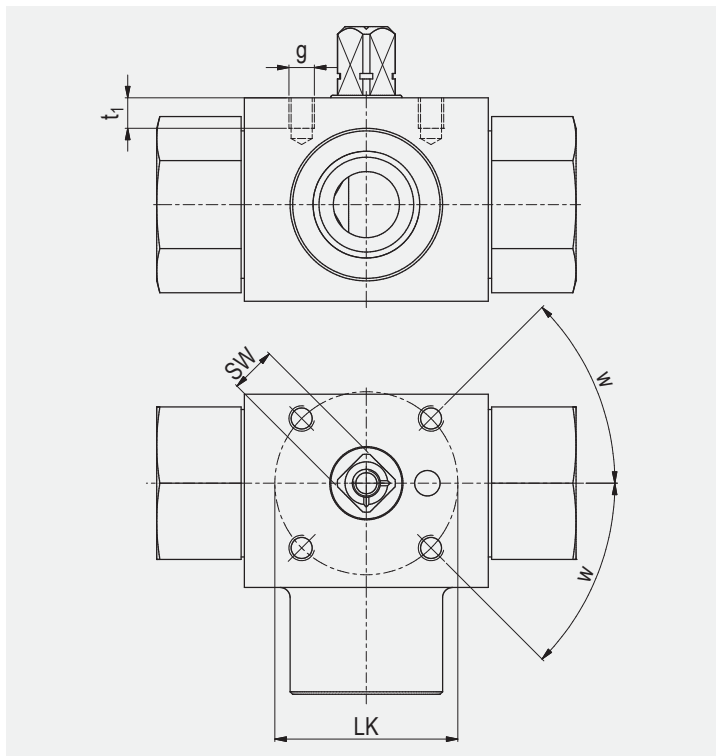
Please note the pressure ratings of the tube connections!

\*Article usually in stock.

CONNECTION TYPE	DIMENSIONS										ORDER CODE PER MATERIAL COMBINATION				
	Type	LW	RA	L	S	LW <sub>1</sub>	i	d	Weight [Kg]	PN [bar]	112A L=SB50	112A T=SB51	1128 L=SB50	1128 T=SB51	
<b>DIN 2353 / ISO 8434-1 HEAVY SERIES</b> 	BK3-DN4-8S	5	8	73	34,5	4	7	M 16x1,5	0,42	500	02350*	02404*	03194*	03204*	
	BK3-DN6-10S	6	10	73	34,5	6	7,5	M 18x1,5	0,43	500	02351*	02406*	03195*	03205*	
	BK3-DN8-12S	8	12	76	34,5	8	7,5	M 20x1,5	0,44	500	02397*	02410*	03196*	03206*	
	BK3-DN10-14S	10	14	80	36,5	10	8	M 22x1,5	0,50	500	02414*	02415*	03197*	03207*	
	BK3-DN13-16S	13	16	86	43	13	8,5	M 24x1,5	0,65	500	02427*	02428*	03198*	03208*	
	BK3-DN13-20S	13	20	90	43	15	10,5	M 30x2	0,70	500	02845*	02846*	03199*	03209*	
	BK3-DN20-25S	20	25	109	48	20	12	M 36x2	1,70	315	02707*	02769*	03200*	37995*	
	BK3-DN25-30S	25	30	120	57,5	25	13,5	M 42x2	2,40	315	02710*	02772*	03201*	03211*	
	BK3-DN25/32-38S	25	38	124	57,5	25	16	M 52x2	2,80	315	02713*	02775*	03202*	03212*	
	<b>SAE J514/ISO/DIS11926-1 FEMALE THREAD</b> 	BK3-DN6-7/16"UNF	5	69	34,5	12	7/16"-20 UNF	0,50	500	38076*	38094*	38081*	38099*		
BK3-DN10-9/16"UNF		10	72	36	13	9/16"-18 UNF	0,60	500	38077*	38095*	38082*	38100*			
BK3-DN13-3/4"UNF		13	83	41,5	15	3/4"-16 UNF	0,70	500	38078*	38096*	38083*	38101*			
BK3-DN20-1 1/16"UN		20	95	47,5	20	1 1/16"-12 UN	1,80	315	38079*	38097*	11027*	38102*			
BK3-DN25-1 5/16"UN		25	113	56,5	20	1 5/16"-12 UN	2,70	315	38080*	38098*	11026*	38103*			
BK3-DN32-1 5/8"UN		30	111	60	20	1 5/8"-12 UN	5,20	350	39214*	39215*	39216*	39217*			
BK3-DN40-1 7/8"UN		38	140	70	20	1 7/8"-12 UN	10,00	350	39218*	39219*	39220*	39221*			
BK3-DN50-2 1/2"UN		48	150	75	20	2 1/2"-12 UN	12,20	350	39222*	39223*	39224*	39225*			

Please note the pressure ratings of the tube connections!  
 Due to material availability the material code of the steel valves may vary from 112A (resp. 1128). DN20-32=812A (8128), DN40-50=212A (2128). Material suitability for the application does not differ from 112A (1128).

\*Article usually in stock.

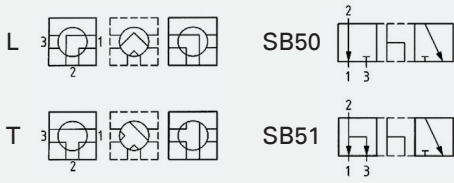


### ASSEMBLING THREADS AS PER ISO 5211

DN	SW	LK	g	t <sub>1</sub>	w	ISO 5211
4	9	36	M5	6	30°*	(F03)*
6	9	36	M5	6	30°*	(F03)*
10	9	36	M5	7	45°	F03
13	9	36	M5	6	45°	F03
16	12	42	M5	8	45°	F04
20	14	50	M6	10	45°	F05
25	14	50	M6	10	45°	F05
25/32	14	50	M6	10	45°	F05
25/40	14	50	M6	10	45°	F05

\*30° does not correspond to ISO 5211

## PORTING PATTERNS

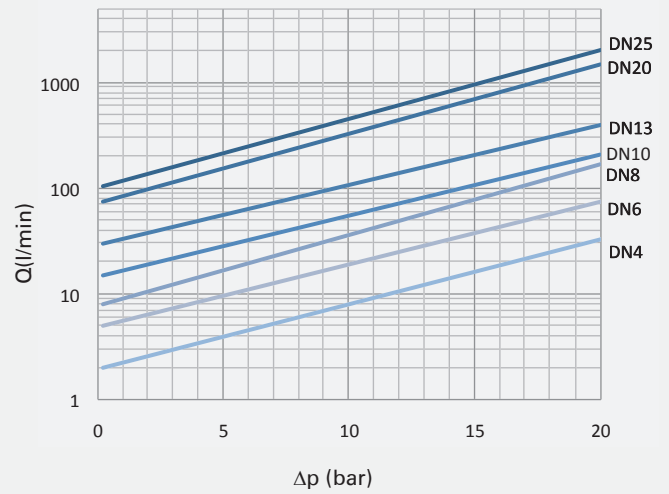


**!** Pressure inlet only from center port (port 2)!

Further porting patterns page 274 to 279

Please see type BK3-S or 3KH in case you need pressure inlet from all ports.

## FLOW CHARACTERISTICS BK3-L/T



The flow values are measured with usage of hydraulic oil (spissitude 880 kg/m<sup>3</sup>) and the kinematic viscosity of 35 mm<sup>2</sup>/s.