

CPP-45 Series - CPP-45, CPP-45B



- Conductive Plastic Angle Sensor
- Effective Electrical Travel : 350°
- Independent Linearity : $\pm 0.3\%$
- Servo Mount and Screw Mount
- Shaft:
 - CPP-45 : $\phi 4\text{mm}$ Shaft
 - CPP-45B : $\phi 6\text{mm}$ Shaft

【 Options 】

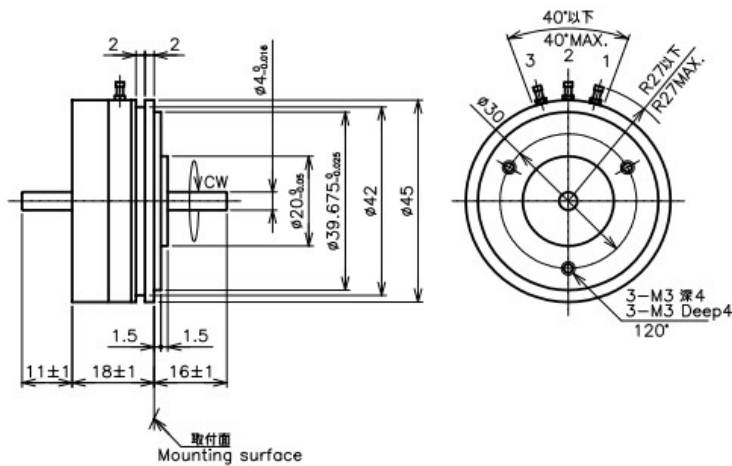
- Independent Linearity : $\pm 0.1\%$
- Multi Ganging : More than 4 sections, please contact us.
- Additional Taps : Up to 8 taps
 - For Output : Type (A) ... No shorted angle
 - For Input : Type (B) ... 1~5°shorted on Tap
- Additional Center Tap :
 - C.T(A) ... No shorted angle
 - C.T(B) ... Shorted on Tap (Shorted angle 1~5°)

【 Material 】

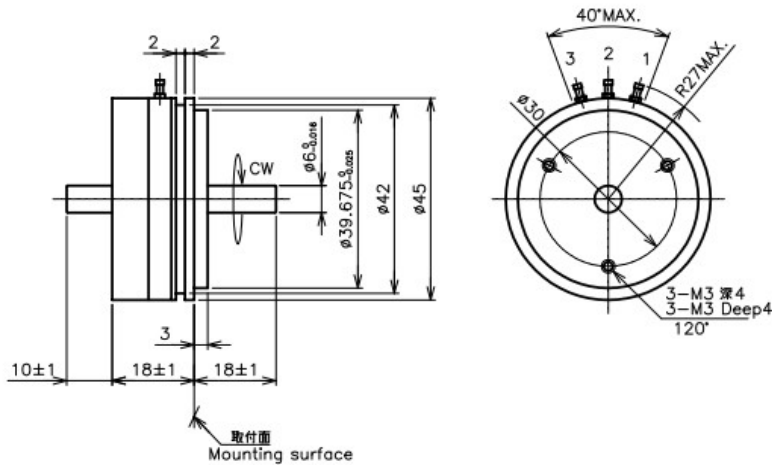
- Housing : Aluminum
- Shaft : Stainless Steel
- Ball Bearing : Stainless Steel

Dimension [mm]

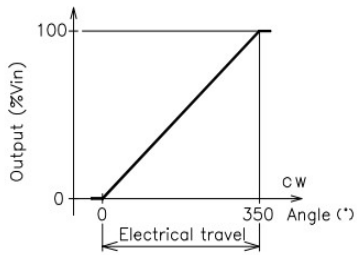
CPP-45



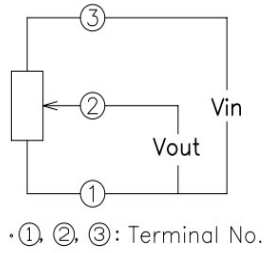
CPP-45B



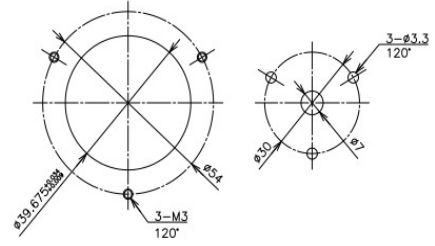
Output Characteristics



Schematic



Mounting



Servo Mount

Screw Mount

Model No.

Electrical Specifications

Mechanical Specifications

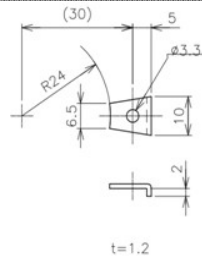
(Additional 1.5mN · m/add one gang)

Approx. 60 (Additional 10g/add one gang)

Environmental Specifications

Accessories

Mounting Cleats : 3 pieces



Handling Instruction

- To avoid burnout of resistive element, do not supply more than 1mA current to terminal 2.
- Miswiring might cause burnout of resistive element.
- To reduce sliding noise, add load resistance should be more than 100times and less than 1000times of total resistance.
- Slight continuous vibration such as dither might cause short lifetime of the sensor.