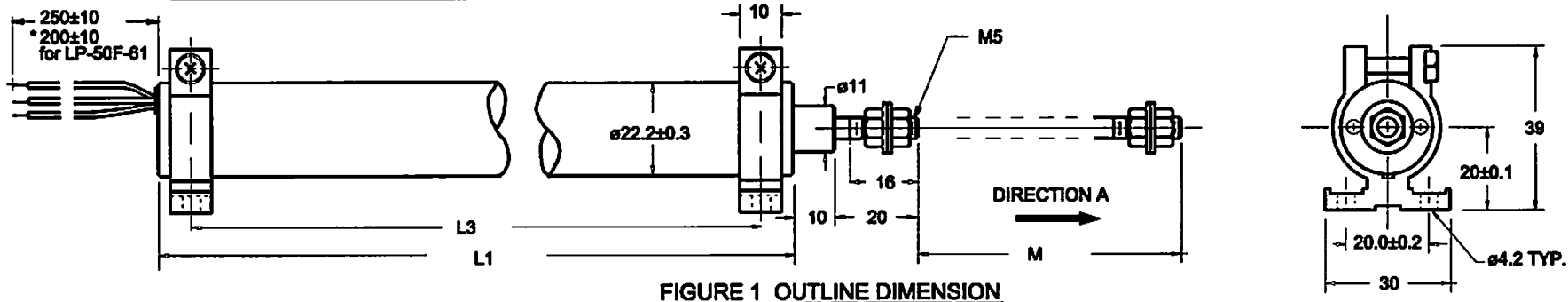
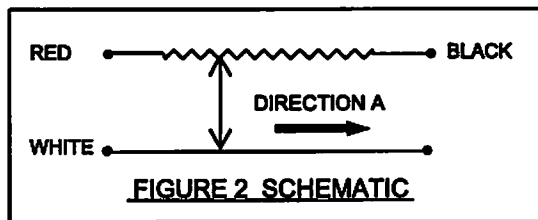


10739

REFERENCE: MPLC 92 CATALOG P.74

REVISION

C.O.N	SYM	DESCRIPTION	DATE	DRAWN	APPRD
D		1) TOLERANCE FOR MECHANICAL STROKE WAS ±1 mm.	02/02/03	T.TSUGAWA	
E		1) RESISTANCE VALUE, 0.5K, 20K, 30K REMOVED, 20K WAS STD. 2) WAS -40°C to +125°C	08/10/03	T.TSUGAWA	
F		1) LP-30F-41 ADDED.	08/18/04	T.TSUGAWA	



SPECIFICATIONS

MODEL NO.:	Ⓐ LP-30F-41	Ⓑ LP-50F-61	LP-100F	LP-150F	LP-200F	LP-250F	LP-300F	LP-400F
ELECTRICAL STROKE :	30 mm	50 mm	100 mm	150 mm	200 mm	250 mm	300 mm	400 mm
MECH. STROKE (M) : Ⓒ	33 ±1 mm	53 ±2 mm	103 ±2 mm	153 ±2 mm	203 ±2 mm	253 ±2 mm	303 ±2 mm	403 ±2 mm
Ⓓ RESISTANCE in KOHMS (±20%):	1, 2, 5	1, 2, 5	1, 2, 5, 10	1, 2, 5, 10	1, 2, 5, 10 (20 AVAILABLE)	2, 5, 10 (20 AVAILABLE)	2, 5, 10 (20 AVAILABLE)	5, 10
POWER RATING :	0.5 W @ 70°C	1.5 W @ 70°C	2.5 W @ 70°C	3 W @ 70°C	4 W @ 70°C	4 W @ 70°C	4 W @ 70°C	4.5 W @ 70°C
HOUSING LENGTH (L1) :	68 ±1 mm	88 ±1 mm	138 ±1 mm	188 ±1 mm	238 ±1 mm	288 ±1 mm	338 ±1 mm	438 ±1 mm
MTG HOLES SPACING (L3) :	48 ±1 mm	74 ±1 mm	124 ±1 mm	174 ±1 mm	224 ±1 mm	274 ±1 mm	324 ±1 mm	424 ±1 mm
Ⓔ INDEPENDENT LINEARITY:	±0.5%	±0.5% (±0.2% AVAILABLE)	±0.3% (±0.1% AVAILABLE)	±0.3% (±0.1% AVAILABLE)	±0.3% (±0.1% AVAILABLE)	±0.3% (±0.1% AVAILABLE)	±0.3% (±0.1% AVAILABLE)	±0.1%

OUTPUT SMOOTHNESS: 0.1% MAX.
 INSULATION RESISTANCE: 100 meg OHMS MIN. @ 500 Vdc
 DIELECTRIC STRENGTH: Ⓔ 500 Vrms @ 50/60 Hz for 1 MINUTE
 OPERATING TEMPERATURE: Ⓕ -40°C to +80°C
 TEMPERATURE COEFFICIENT: ±400 ppm/°C MAX.
 FRICTION: 100 g MAX.

UNLESS OTHERWISE SPECIFIED, DIMENSIONS ARE IN mm(in). TOLERANCES: ANGLES: ±1.5° <10 mm: ±0.25 <100 mm: ±0.5 >100 mm: ±1	DRAWN T. TSUGAWA	DATE 11/19/92	SPECIFICATION DWG FOR MODEL LP-xxxF LINEAR POTENTIOMETER	Midori America Corporation FULTON, CA	
	CHECKED	DATE			
	APPROVED	DATE			
	APPROVED	DATE			
	SCALE:	FILE: LP-xxxF			
			A-MAC-B35 F		
			1 OF 1		