

WHEN ORDERING SPECIFY PIPE THREAD CODE AND TYPE OF CONNECTION POINTS.

**CH102P2T6 ← EXAMPLE OF MODEL NUMBER**

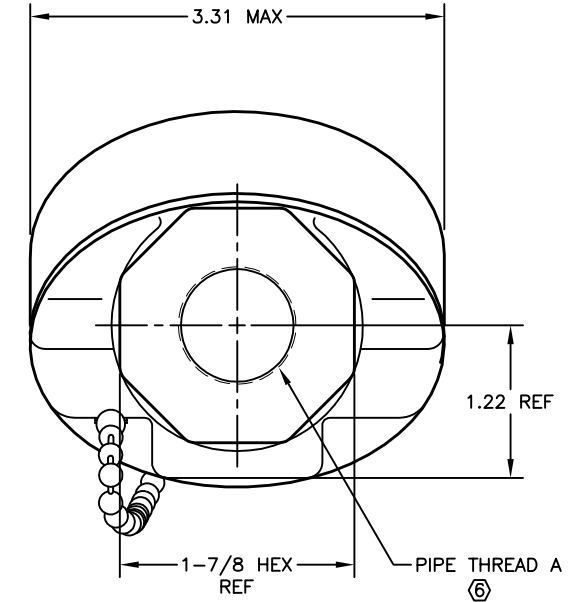
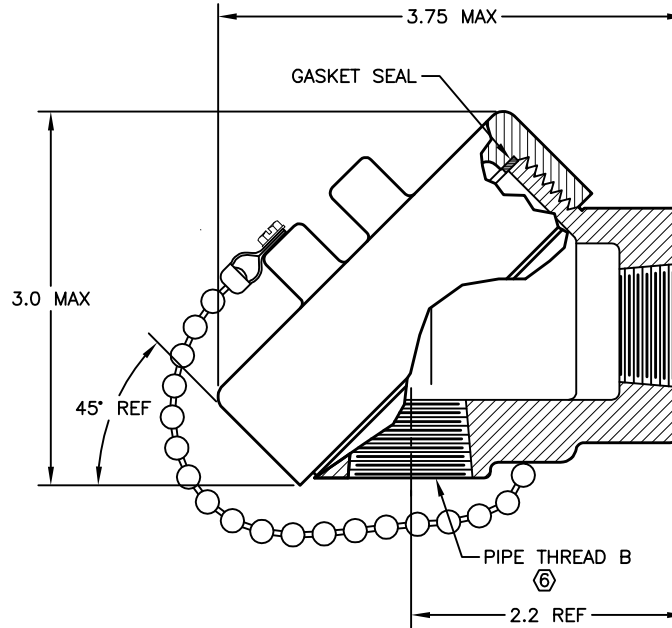
**CH102** SPECIFICATIONS DRAWING NUMBER.

**P2** PIPE THREAD CODE:

CODE	THREAD A	THREAD B
P1	3/4 - 14 NPT	1/2 - 14 NPT
P2	3/4 - 14 NPT	3/4 - 14 NPT
P3	1/2 - 14 NPT	1/2 - 14 NPT
P4	1/2 - 14 NPT	3/4 - 14 NPT



**T6** TYPE OF CONNECTION POINTS: ②

T0 = TERMINAL BOARD FOR TEMPTRAN MOUNTING;  
 T6 = TERMINAL BOARD WITH 6 CONNECTION POINTS;  
 W0 = EMPTY ENCLOSURE (NO CONNECTION POINTS);  
 W6 = 6 WIRE NUTS.



REVISIONS					
REV	DESCRIPTION	DATE	ECO	DR	APPD
E	REDRAWN	05-05-98	31831	EDG	DES
F	REMOVED T4 AND W4 OPTIONS	11-11-10	1481283	WAB	BAL
G	MAX TEMP CHANGED FROM 500°F/260°C TO 338°F/170°C	03-24-21	3177663	KYL	KGH

- CONNECTION HEAD PROVIDES A WEATHERPROOF ENCLOSURE IN WHICH LEADWIRES FROM PROBE TYPE RESISTANCE THERMOMETERS OR THERMOCOUPLES CAN BE CONNECTED TO EXTENSION WIRES LEADING TO REMOTELY LOCATED READOUT OR CONTROL INSTRUMENTATION.
- CONNECTION HEAD CAN BE SUPPLIED WITH TEMPTRAN MOUNTING PACKAGE OR A TERMINAL BOARD FOR MAKING CONNECTIONS BETWEEN PROBE LEADWIRES AND EXTENSION LEADWIRES.
- WIRE NUTS: PORCELAIN, SUITABLE FOR CONNECTING PROBE LEADWIRES TO EXTENSION WIRES RANGING IN SIZE UP TO AWG #14.
- TERMINAL BOARD: SCREW CONNECTIONS ARE SUITABLE FOR CONNECTING PROBE LEADWIRES TO EXTENSION WIRES RANGING IN SIZE UP TO AWG #14.
- MAXIMUM TEMPERATURE LIMIT:  
 WITH WIRE NUTS: 750°F (399°C);  
 WITH TERMINAL BOARD: 338°F (170°C).
- INSTALLATION: THE MOUNTING FITTING FOR THE PROBE NORMALLY ATTACHES TO PIPE THREAD A. CONDUIT ADAPTER OR PIPE FOR EXTENSION WIRES NORMALLY ATTACHES TO PIPE THREAD B.
- CONNECTION HEAD IS SUITABLE FOR USE IN ENVIRONMENTS AS DEFINED IN NEMA CLASS 3 AND 4.

UNLESS OTHERWISE SPECIFIED DIMENSIONS AND TOLERANCES IN INCHES DIMENSIONS IN [ ] ARE IN MILLIMETERS		INITIALS	DATE	ITEM	REQD.	INVENTORY NO.	MATERIAL DESCRIPTION		
ONE PLACE (.0)	±.020 [±0,51]	DR	01-22-90	DES			TITLE: CONNECTION HEAD, WEATHERPROOF CH102 SERIES  REF: B8605		
TWO PLACE (.00)	±.010 [±0,25]	CHK	10-24-91	PHP					
THREE PLACE (.000)	±.005 [±0,13]	APP	02-14-85	BHB					
MATERIAL: BODY & COVER: CAST IRON CHAIN: STAINLESS STEEL		ENGR	10-24-91	DGH					
FINISH: BODY AND COVER: NICKEL PLATED		QA							
		PRD					COMPANY CONFIDENTIAL PROPRIETARY INFORMATION OF MINCO PRODUCTS, INC. DO NOT DUPLICATE   <a href="http://www.minco.com">www.minco.com</a>		
		NEXT ASSY	PROD CODE					CH102	REV G
		USED ON	INIT. ORDER	INVENTORY NO.	SCALE	NONE	DWG SIZE		CAGE IDENT. 09359 SHEET 1 OF 1