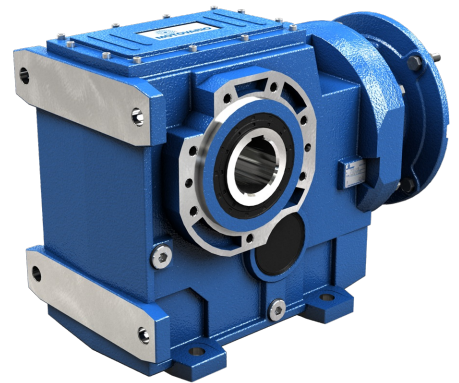


PRODUCT DATASHEET



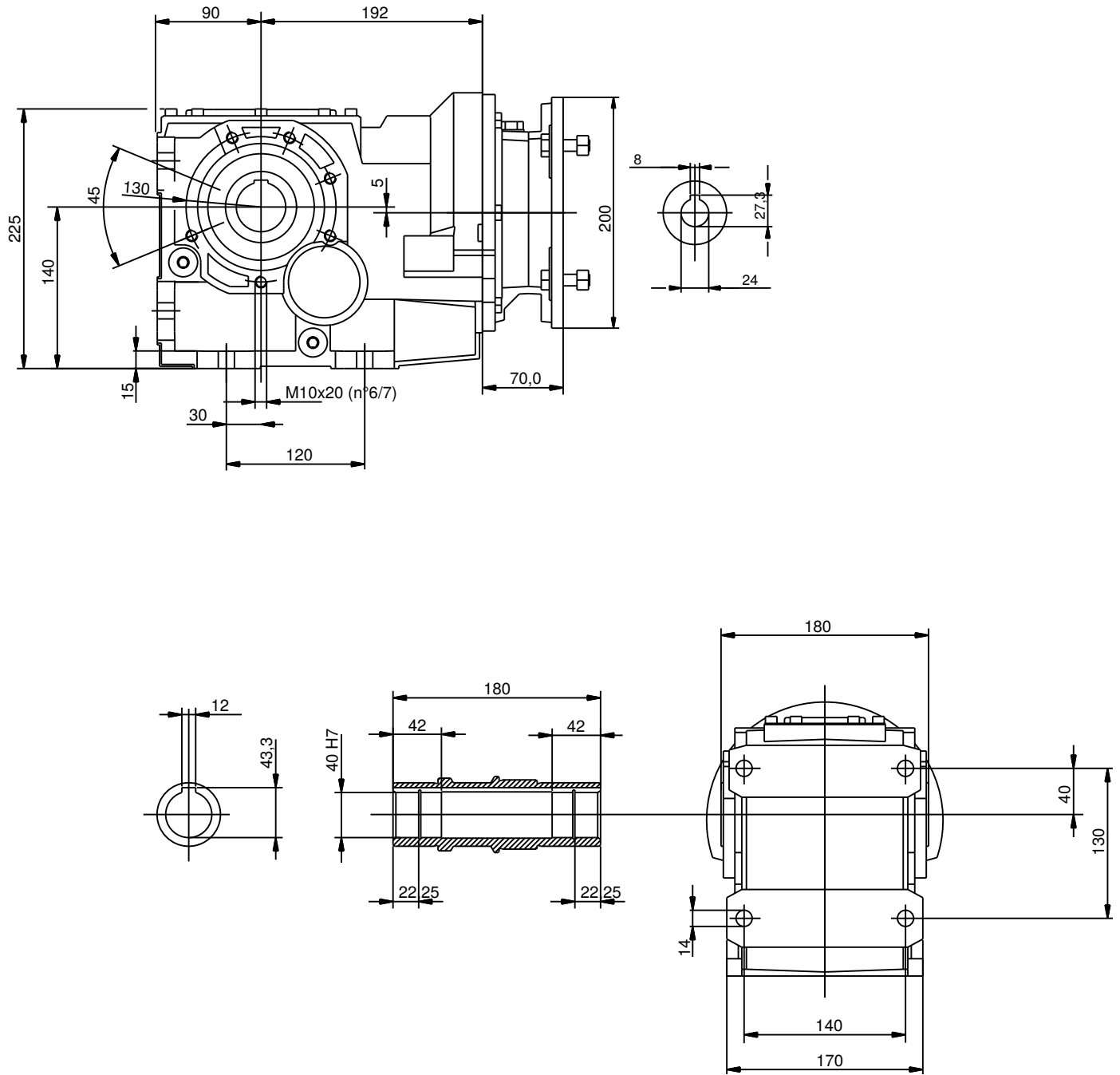
HELICAL **BEVEL** GEAR REDUCER

DATE 10.07.2023

CONFIGURATION

CHARACTERISTIC	VALUE
Regulations	No
Logo	Motovario
Bevel Helical	PAM B
Size	O83
Series	B
Housing Version	U-Universal
Output Shaft Version	C-Hollow Shaft
Ratio (i)	73,14
Input Dim.	Ø200x24 (IEC90 B5)
PAM Flange Dim.	200
PAM Worm Diam.	24
Output Shaft Dim.	Ø40
Rotation Direction	Standard
ON-Oil Plugs	Breather-Drain-Level(Stand.)
Mounting Position	B6
ON-Output Oil Seal	NBR-Nitrile
ON-Input Oil Seal	NBR-Nitrile
ON-Output Bearings	Taper Roller Bearings
ON-Input Bearings	2Z Ball Bearings
ON-Lubrication	Mineral ISO VG220
ON-Notes	No
Paint	Ral 5010 Blue

Values expressed in [mm]

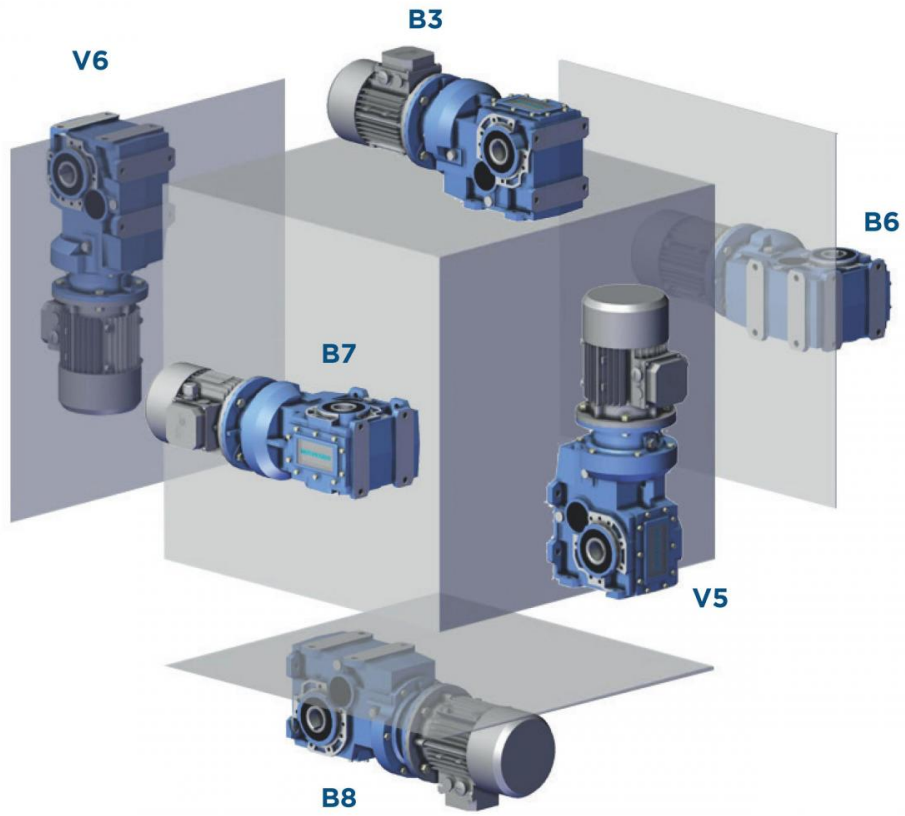


IB083

n1 [rpm]	Mn ₂ [Nm]	i	Pn ₁ [kW]	n2 [rpm]	Fr1 [N]	Fr2 D-S-P [N]	Fr2 C [N]
500	914	73,14	0,71	6,8	2500	18000	10701
700	903	73,14	0,99	9,6	2500	18000	9478
900	893	73,14	1,27	12,3	2500	18000	8653
1140	871	73,14	1,56	15,6	2500	18000	7950
1400	850	73,14	1,89	19,1	2500	18000	7388
1750	799	73,14	2,22	23,9	2500	18000	6853

MOUNTING POSITIONS

The mounting position of the gear unit identifies its space orientation. B3 mounting position, as from a technical point of view, ensures lower oil splash, better lubrication and less heating.



- For the reduction units B series it is always necessary to specify the mounting position.
- The reduction units BA.. series with 2, 3 stages and B060, are supplied complete with lubricant, have no oil plugs and need no maintenance.
- The gear reducer B series sizes 080, 100 are supplied complete with lubricant and are fitted with oil plugs to suit any mounting position included in the catalogue.
- The gear reducer B series sizes 140, 150, 160 have no lubricant and are fitted with oil plugs to suit any mounting position included in the catalogue. The oil filling can be done on request, in this case it is recommended, after installation, to replace the closed plug used for transportation with the supplied breather plug. When the reduction unit is supplied without lubricant, it is provided with a label to be filled.

It is recommended, after installation, to replace the closed plug used for transportation with the supplied breather plug. Oil quantity in the table (litres ~) are indicative; for a proper use you will have to refer to the level plug or the dipstick. Any level difference could depend on construction tolerances, but also by the placement of the unit or by the mounting surface at the customer's premises. It is appropriate to check and, if necessary, restores the level when the units are installed.

B	A42	A52	A53	A72	A73
B3	0,33	0,42	0,63	1	1,21
B8					
B6/B7					
V5					
V6					

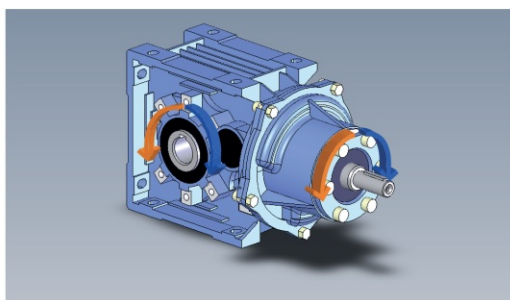
CB	A42	A52	A53	A72	A73
B3	0,33	0,42	0,55	1	1,13
B8					
B6/B7					
V5					
V6					

B-CB	063	083	103	123	143	153	163
B3	1,2	2,5	3,7	5,7	11,1	19	33
B8	1,5	2,8	4,2	7,9	13	17,5	42,8
B6	1,5	3,5	6	8,5	14,5	26	43
B7	1,5	2,8	3,9	7,3	11,8	19	30
V5	2,1	3,7	7	9,9	18,5	32,5	54,5
V6	1,3	2,6	4,5	6,7	10,8	16,5	37,3

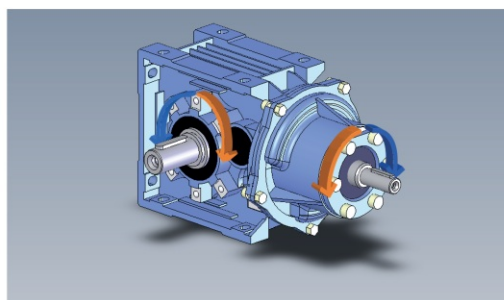
Helical bevel reduction units are supplied as “standard” with rotation as shown in the diagram. On request, the direction of rotation of low speed shaft can be reversed; in this case, it is necessary to specify “opposite rotation to catalogue” when ordering. The “opposite rotation to catalogue” is not possible for sizes BA42 - BA52 - BA53.

DIRECTION OF ROTATION - HIGH SPEED SHAFT

B-CB-IB A42-A52-A72

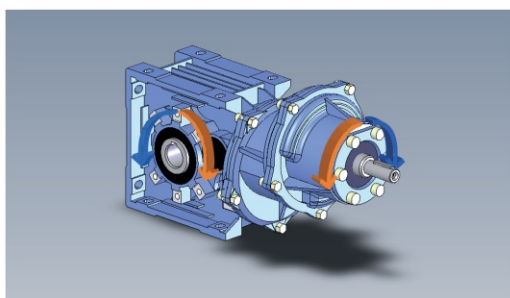


VERSIONS **C-D-P-L**

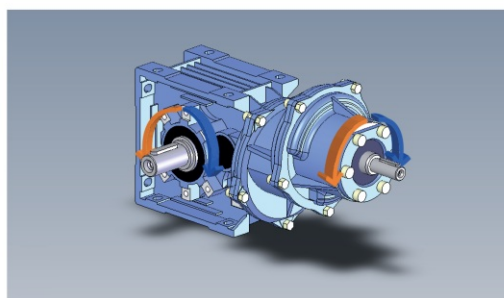


VERSION **S**

B-CB-IB A53-A73

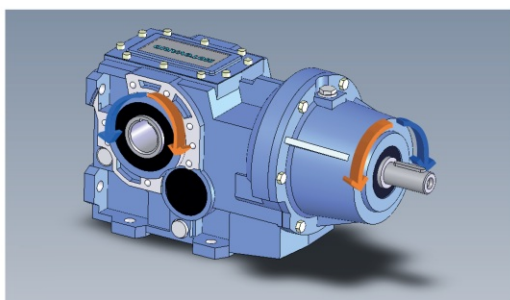


VERSIONS **C-D-P-L**

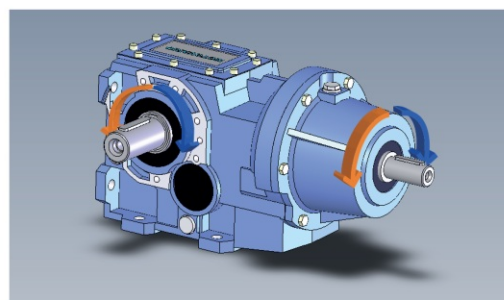


VERSION **S**

B-PB-CB-IB 063-163



VERSIONS **C-D-P-L**



VERSION **S-M**