



ENAPART



93 S Railroad Avenue Unit C
Bergenfield NJ 07621 USA
www.enapart.com
sales@enapart.com



Via del Canneto 35,
Borgosatollo, Brescia - Italia
www.enapart.it
vendite@enapart.it



Barbaros Mah. Ihlamur Bul. Aĝaoĝlu
My Newwork No:3/15 Ataşehir / İstanbul
www.enapart.net
satis@enapart.net



PRIVADA 10 B SUR #3908 COL.
ANZUREZ, C.P. 72530, PUEBLA, PUE
www.enapart.com.mx
sales@enapart.com.mx



Friedrich-Ebert-Anlage 36, 60325
Frankfurt am Main, Germany
www.enapart.de
anfrage@enapart.de



4 boulevard Carnot, 95400
villiers-le-bel, Paris, France
www.enapart.fr
sales@enapart.fr



65049, ОДЕСА, ВУЛИЦЯ ІВАНА
ФРАНКА, БУДИНОК 55, ПОВЕРХ 3
www.enapart.com.ua
sales@enapart.com.ua



MUNICIPIUL BUCUREȘTI, SECTOR 3,
B-DUL BASARABIA, NR.250, CORP P+5
www.enapart.ro
sales@enapart.ro



〒584-0023 大阪府富田林市若松町
東2丁目2番16号
www.enapart.co.jp
sales@enapart.co.jp



PLAZA NUESTRA SEÑORA DE LAS
NIEVES 12 ,LOCAL ,50012,ZARAGOZA
www.enapart.es
ventas@enapart.es



Складова база „Онгъл“, Склад А2, п.к.
4006, гр. Пловдив, България
www.enapart.bg
sales@enapart.bg



3 Austin Mews, High Street, Hemel
Hempstead, HP1 3AF , United Kingdom
www.enapart.co.uk
sales@enapart.co.uk

Art. "C3" - THREE WAY SHUTTER VALVE FOR VACUUM-VACUUM BREAKER



DESCRIZIONE

Intercepting valve purposely conceived to suddenly break the vacuum in the system (i.e. release of suction cups).

Pneumatic actuator with reciprocating piston movement.

Flat shutter closing with double seal in NBR.

Three-way and 2-position function (3/2).

Perfect airtight.

SECTORS OF USE

It is generally used for vacuum (wrapping machines, material handling by suction caps).

Connections with inner GAS ISO 228 thread female-female.

Control air 1/8" GAS connections.

ALLOWABLE TEMPERATURES

Operating temperature: from -20°C to +100°C

ACTUATOR PILOT PRESSURE: Max 8 bar.

VERSIONS AND SIZES

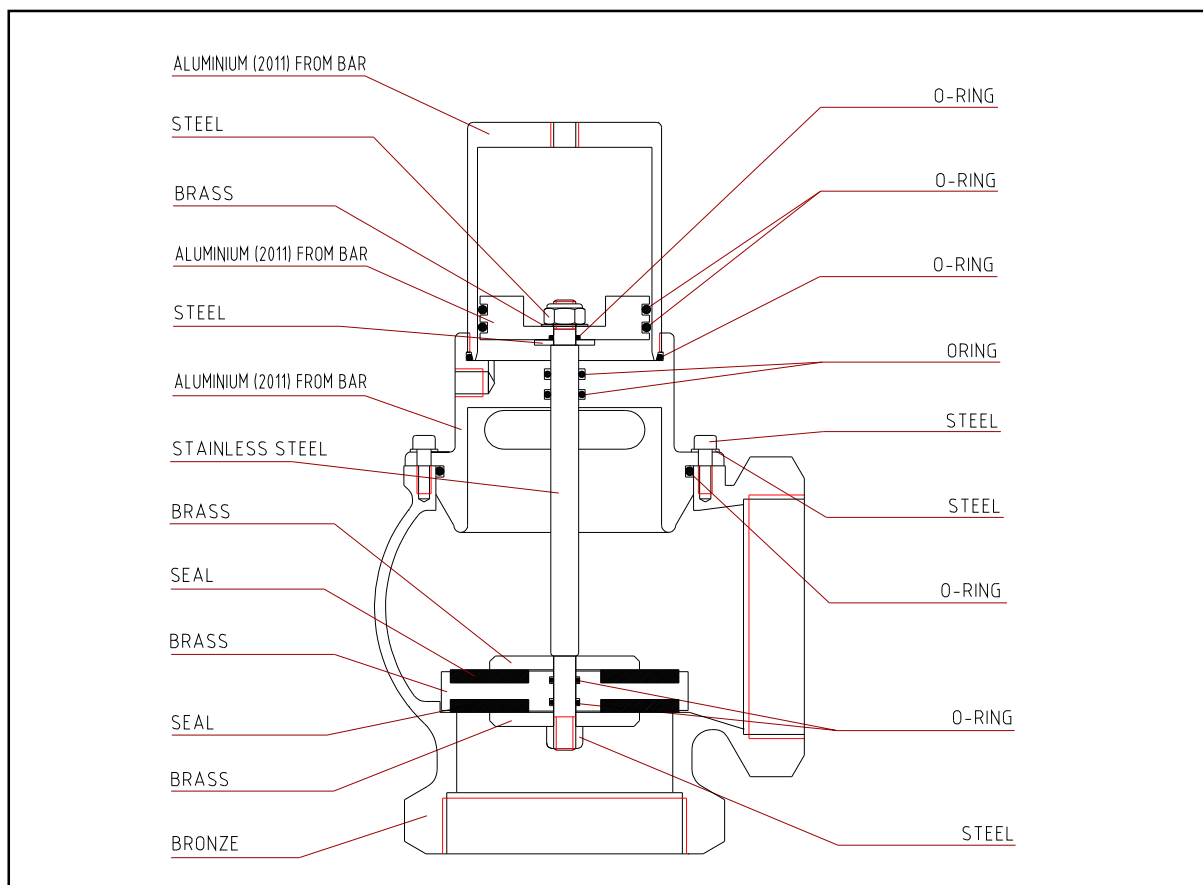
DA: 1/2" - 1"1/4 - 2" - 3"

ANODIZING TREATMENT ON OUTSIDE DETAILS

MADE IN ALUMINIUM

SLOTTED HOLE OPENING FOR VACUUM OUTLET

G	1/2"	1"1/4	2"	3"
Cm ²	1,13	8,6	12,6	19,5



Art. "C3"

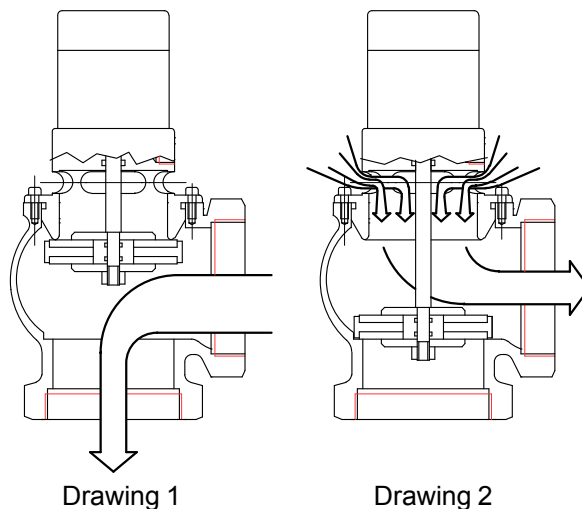
OPERATION

When the valve is open (drawing 1) the vacuum can be created and kept inside the unit, the arrow indicates the passage from the unit to the suction pump.

When the valve is closed (drawing 2), vacuum can be exhausted through the holes of the central body, the arrows indicate the air passage from outside towards the unit.

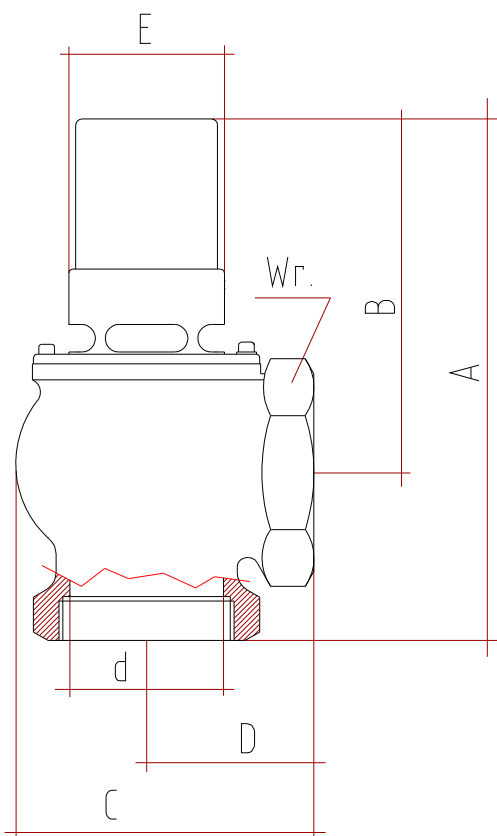
ASSEMBLY

The direction of vacuum flow must be as shown in drawing 1, i.e. OPPOSITE to the arrow printed into the valve body.



Drawing 1

Drawing 2



OVERALL DIMENSIONS

DN	G	A	B	C	D	E	d	Wrench	Weight
mm.		mm.	mm.	mm.	mm.	mm.	mm.	mm.	gr.
15	1/2"	121	89	52	32	50	15	27	500
32	1"1/4	173	124	82	49	65	32	50	1350
50	2"	195	134	110	61	65	50	70	2350
80	3"	264	179	155	85	79	78	100	4920