



ENAPART



93 S Railroad Avenue Unit C
Bergenfield NJ 07621 USA
www.enapart.com
sales@enapart.com



Via del Canneto 35,
Borgosatollo, Brescia - Italia
www.enapart.it
vendite@enapart.it



Barbaros Mah. Ihlamur Bul. Aĝaoĝlu
My Newwork No:3/15 Ataşehir / İstanbul
www.enapart.net
satis@enapart.net



PRIVADA 10 B SUR #3908 COL.
ANZUREZ, C.P. 72530, PUEBLA, PUE
www.enapart.com.mx
sales@enapart.com.mx



Friedrich-Ebert-Anlage 36, 60325
Frankfurt am Main, Germany
www.enapart.de
anfrage@enapart.de



4 boulevard Carnot, 95400
villiers-le-bel, Paris, France
www.enapart.fr
sales@enapart.fr



65049, ОДЕСА, ВУЛИЦЯ ІВАНА
ФРАНКА, БУДИНОК 55, ПОВЕРХ 3
www.enapart.com.ua
sales@enapart.com.ua



MUNICIPIUL BUCUREȘTI, SECTOR 3,
B-DUL BASARABIA, NR.250, CORP P+5
www.enapart.ro
sales@enapart.ro



〒584-0023 大阪府富田林市若松町
東2丁目2番16号
www.enapart.co.jp
sales@enapart.co.jp



PLAZA NUESTRA SEÑORA DE LAS
NIEVES 12 ,LOCAL ,50012,ZARAGOZA
www.enapart.es
ventas@enapart.es



Складова база „Онгъл“, Склад А2, п.к.
4006, гр. Пловдив, България
www.enapart.bg
sales@enapart.bg



3 Austin Mews, High Street, Hemel
Hempstead, HP1 3AF , United Kingdom
www.enapart.co.uk
sales@enapart.co.uk

Art. "BHP" - SHUTTER GLOBE VALVE FOR HIGH PRESSURE



DESCRIPTION

Valve with flat shutter closing.
 Seal : PTFE/NBR and PTFE/FPM.
 The closing is carried out through the piston stem, at whose end the seal is directly applied.
 Perfect airtight .
 Reduced overall dimensions.
 The very simple construction allows high operating frequencies, high differential pressures (see chart).

Connections with inner GAS ISO 228 thread female-female.
 Control air 1/8" GAS connections.

ALLOWABLE TEMPERATURES

Operating temperature: from -20°C to +100°C

PILOT PRESSURE: Max. 8 bar.

VERSIONS AND SIZES

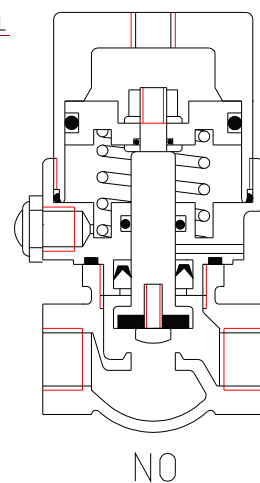
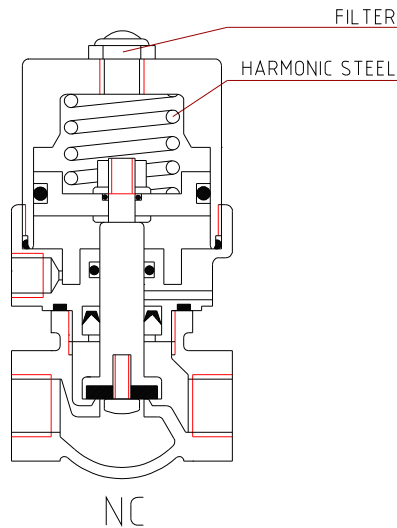
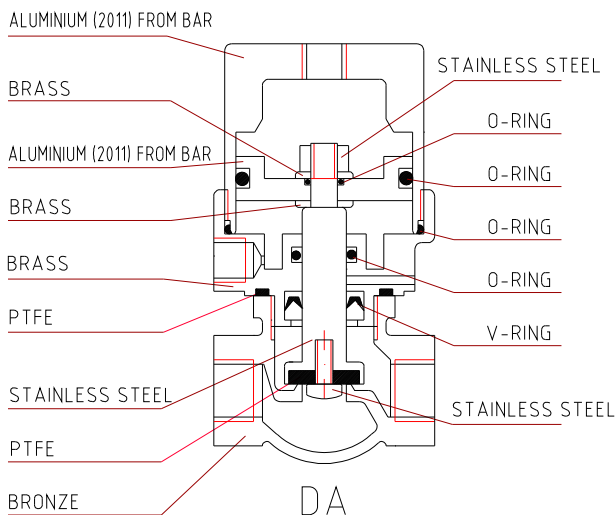
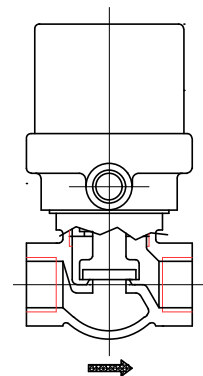
DA: 1/4" - 3/8"

SANC: 1/4" - 3/8"

SANO: 1/4" - 3/8"

ANODIZING TREATMENT ON OUTSIDE DETAILS MADE IN ALUMINIUM

It is **not subject** to the "Water Hammer" if the fluid pass through the valve in the direction of the arrow printed on the body (under the actuator).
 With these conditions the tightness is guaranteed up to the pressures shown in the Differential Pressure Chart.



Art. "BHP"

DIFFERENTIAL PRESSURE CHART

NC VERSION

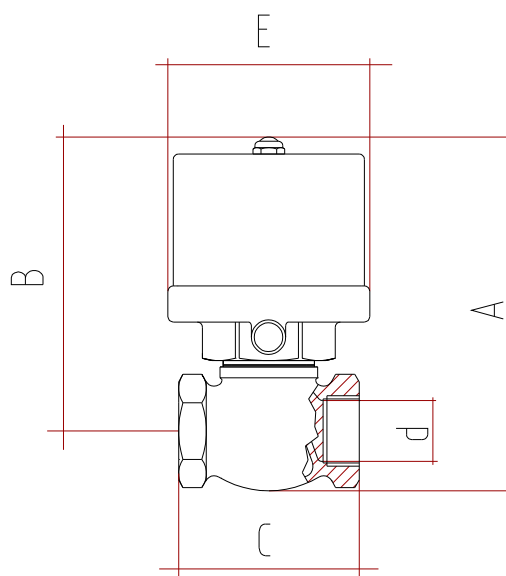
G	DeltaP bar
1/4"	21
3/8"	21

DA-NO VERSION

G	PILOT PRESS.	DeltaP bar
1/4"	2	15
"	3	25
"	4	32
3/8"	2	15
"	3	25
"	4	32

MINIMUM PRESSURE REQUIRED TO OPEN NC VERSION

G	1/4"	3/8"
Bar	5	5



OVERALL DIMENSION

DN	G	A	B	C	d	E	Weight gr
6	1/4"	101	83	50	10	50	560
10	3/8"	101	83	50	10	50	560