



ENAPART



93 S Railroad Avenue Unit C
Bergenfield NJ 07621 USA
www.enapart.com
sales@enapart.com



Via del Canneto 35,
Borgosatollo, Brescia - Italia
www.enapart.it
vendite@enapart.it



Barbaros Mah. Ihlamur Bul. Aĝaoĝlu
My Newwork No:3/15 Ataşehir / İstanbul
www.enapart.net
satis@enapart.net



PRIVADA 10 B SUR #3908 COL.
ANZUREZ, C.P. 72530, PUEBLA, PUE
www.enapart.com.mx
sales@enapart.com.mx



Friedrich-Ebert-Anlage 36, 60325
Frankfurt am Main, Germany
www.enapart.de
anfrage@enapart.de



4 boulevard Carnot, 95400
villiers-le-bel, Paris, France
www.enapart.fr
sales@enapart.fr



65049, ОДЕСА, ВУЛИЦЯ ІВАНА
ФРАНКА, БУДИНОК 55, ПОВЕРХ 3
www.enapart.com.ua
sales@enapart.com.ua



MUNICIPIUL BUCUREȘTI, SECTOR 3,
B-DUL BASARABIA, NR.250, CORP P+5
www.enapart.ro
sales@enapart.ro



〒584-0023 大阪府富田林市若松町
東2丁目2番16号
www.enapart.co.jp
sales@enapart.co.jp



PLAZA NUESTRA SEÑORA DE LAS
NIEVES 12 ,LOCAL ,50012,ZARAGOZA
www.enapart.es
ventas@enapart.es



Складова база „Онгъл“, Склад А2, п.к.
4006, гр. Пловдив, България
www.enapart.bg
sales@enapart.bg



3 Austin Mews, High Street, Hemel
Hempstead, HP1 3AF , United Kingdom
www.enapart.co.uk
sales@enapart.co.uk



Figure 1: Elstein ISS rod heater

Elstein ISS rod heaters are ceramic infrared heaters with operating temperatures of up to 650 °C and surface ratings of up to 48 kW/m².

The ISS heaters have one mounting socket on each side, with which they can be fixed to a mounting profile using fixing springs.

Within the group of ceramic infrared rod heaters they are the rod heaters with the smallest diameter and enable therefore a space-saving installation.

Next to linear heating tasks ISS heaters are used as room, comfort or patio heater as well as heating element on terrasses.

Elstein ISS rod heaters are available with a power of 250 W and 400 W.

ISS

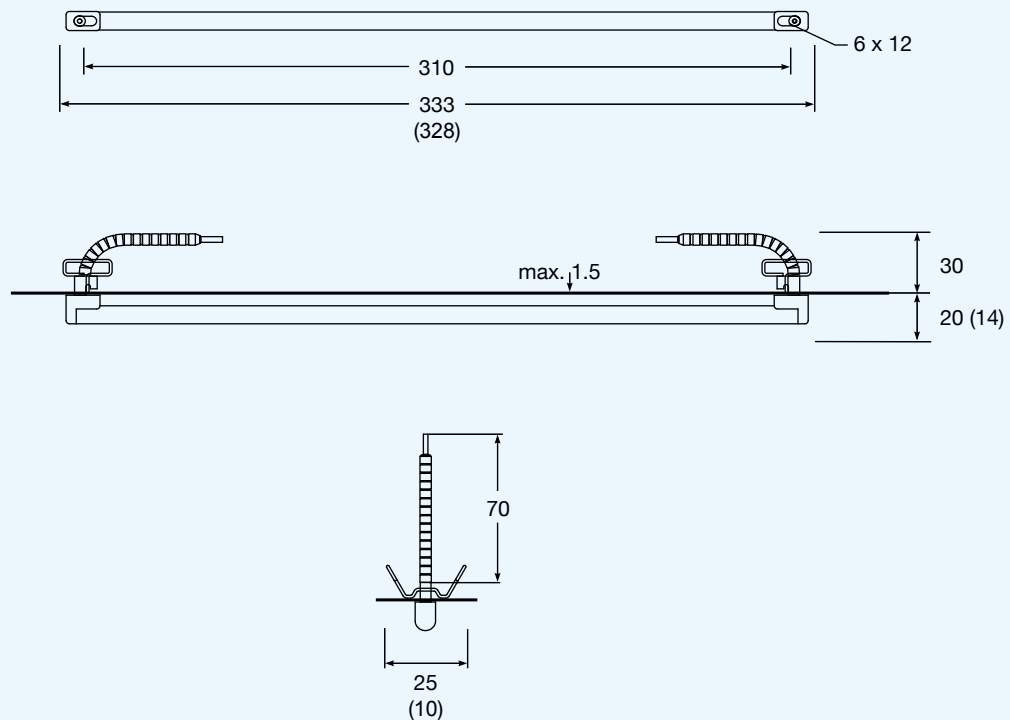
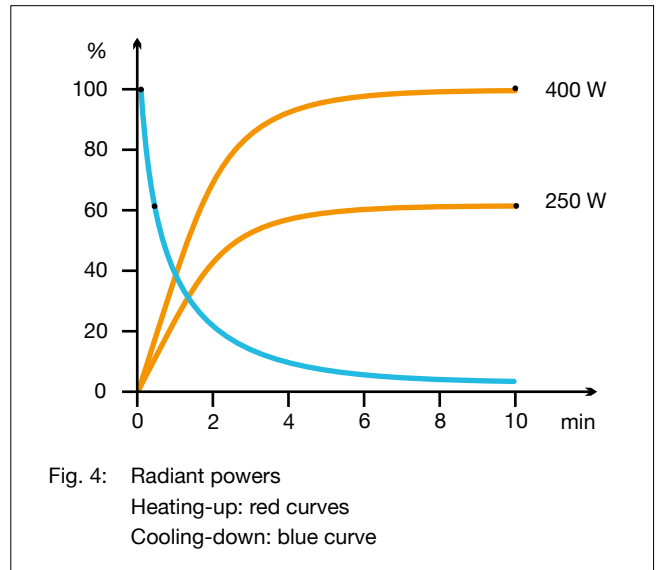
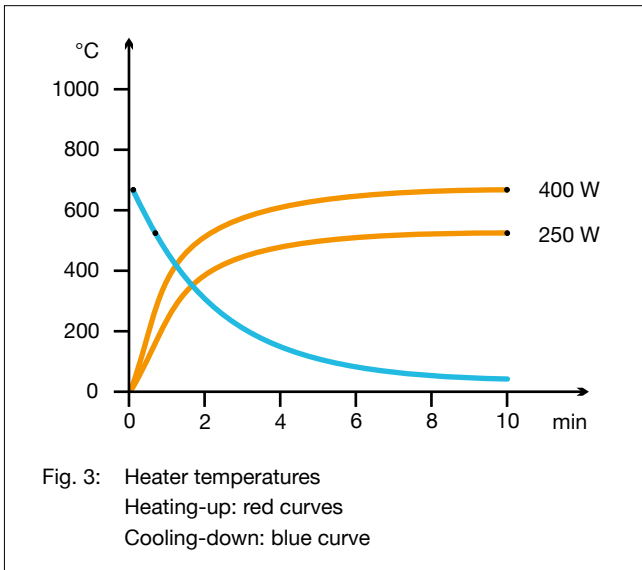


Figure 2: Mounting dimensions and heater dimensions () in mm



Type, weight, wattage	ISS	45 g	250	400	W
Installable surface rating			30.0	48.0	kW/m ²
Typical operating temperature			to 500	to 630	°C
Maximum permissible temperature			650	650	°C
Wavelength range			2 - 10		µm

Standard design Operating voltage 230 V White glaze Leads 70 mm Two mounting sockets Two fixing springs	Thermocouple heaters Not available. For means of controlling output see below.	Variants Special wattages Special voltages Extended leads Leads with ring terminals
---	---	--

The power can be controlled using proprietary power controllers or dimmers.

The national safety regulations must be complied with for the respective application, for example, the IEC or EN standard 60519-1, Safety in electrical heating installations.

Our instructions for mounting, operation and safety must be observed.