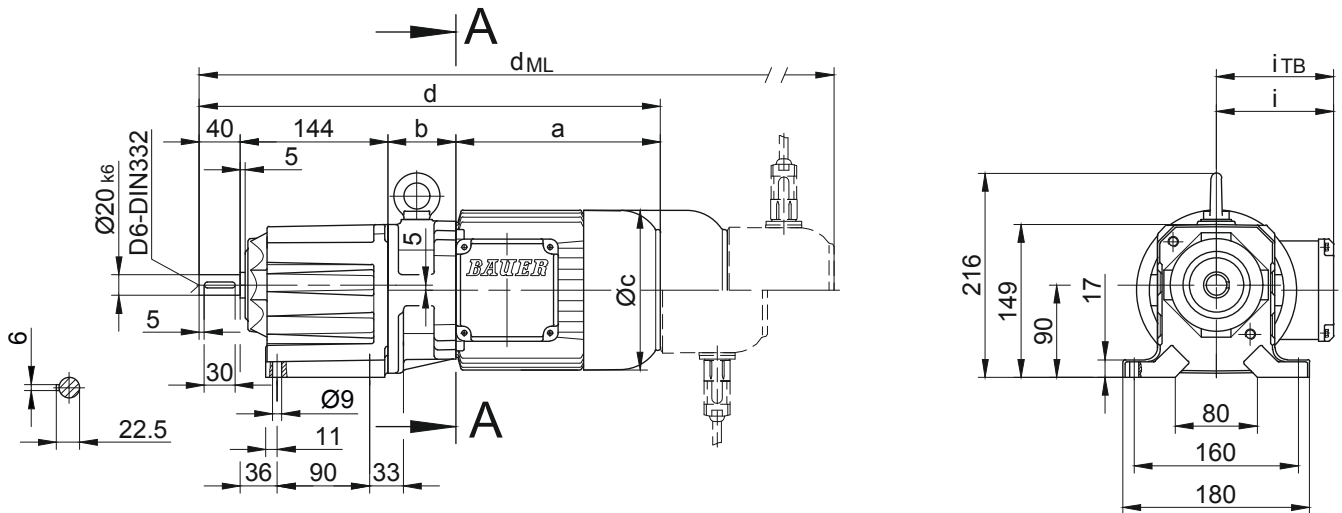


Dimension - Standard

BG10-BG10Z

Foot mounting with clearance holes

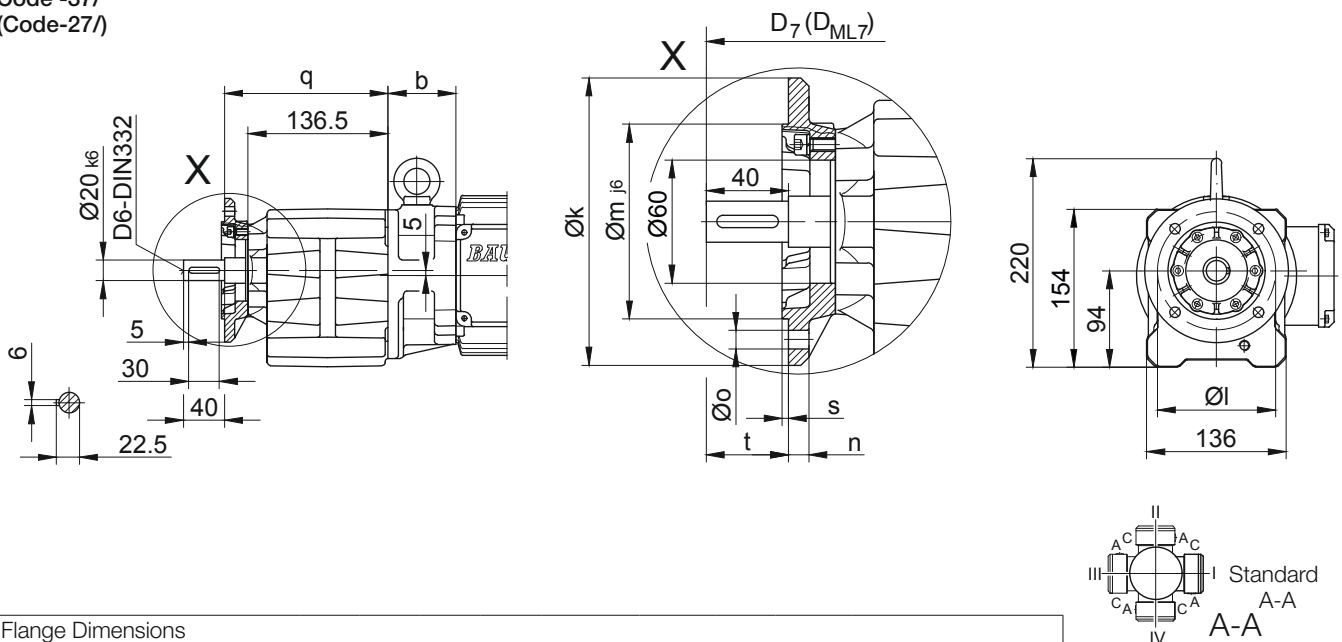
Code -11/



Flange with clearance holes

Code -37/

(Code-27/)



Flange Dimensions

Type	Design	k	l	m	n	o	q	s	t	D ₇	D _{ML7}
BG10..	Code -37V/	140	115	95	10	9	159.5	3	40.5	d+15.5	d _{ML} +15.5
BG10..	Code -27V/	120	100	80	8	6.6	154.5	3	45.5	d+15.5	d _{ML} +15.5

Dimensions in millimetres (mm)

Type	a	b	c	d	i	Design with motor extensions				
						i _{TB}	Brake	Encoder	Brake with Encoder	Back Stop
							d _{ML}	d _{ML}	d _{ML}	
BG10Z-../D04.A.	142.5	86	110.5	412.5	90	112	456	500	543.5	-
BG10-../D..05.A.	170.5	62	123	416.5	101	117	458.5	519	556.5	-
BG10Z-../D..05.A.	170.5	88	123	442.5	101	117	484.5	545	582.5	-
BG10-../D..06.A.	170.5	62	123	416.5	99	119	458.5	519	556.5	-
BG10Z-../D..06.A.	170.5	88	123	442.5	99	119	484.5	545	582.5	-
BG10-../D..07.A.	190.5	62	123	436.5	99	119	478.5	539	576.5	-
BG10Z-../D..07.A.	190.5	88	123	462.5	99	119	504.5	565	602.5	-
BG10-../D..08.A.	199.5	66	156	449.5	114.5	136.5	515.5	561.5	623	515.5
BG10Z-../D..08.A.	199.5	132	156	515.5	114.5	136.5	581.5	627.5	689	581.5
BG10-../D..08.B.	229.5	66	156	479.5	114.5	136.5	545.5	591.5	652.5	545.5
BG10Z-../D..08.B.	229.5	132	156	545.5	114.5	136.5	611.5	657.5	718.5	611.5
BG10-../D..09.A.	250.5	80.5	176	515	124	157	608	622.5	712	608
BG10Z-../D..09.B.	308.5	80.5	176	573	124	157	666	680	770	666

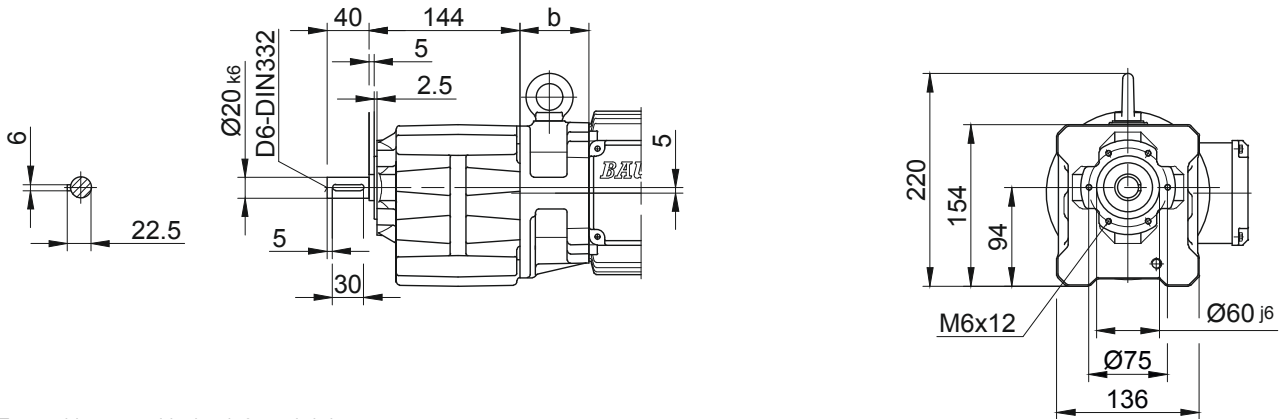
Dimensions in millimetres (mm)

The actual gearbox design can vary from the geometry shown. Generate drive specific 3D and 2D geometries under www.BauerCat.com.

BG10-BG10Z

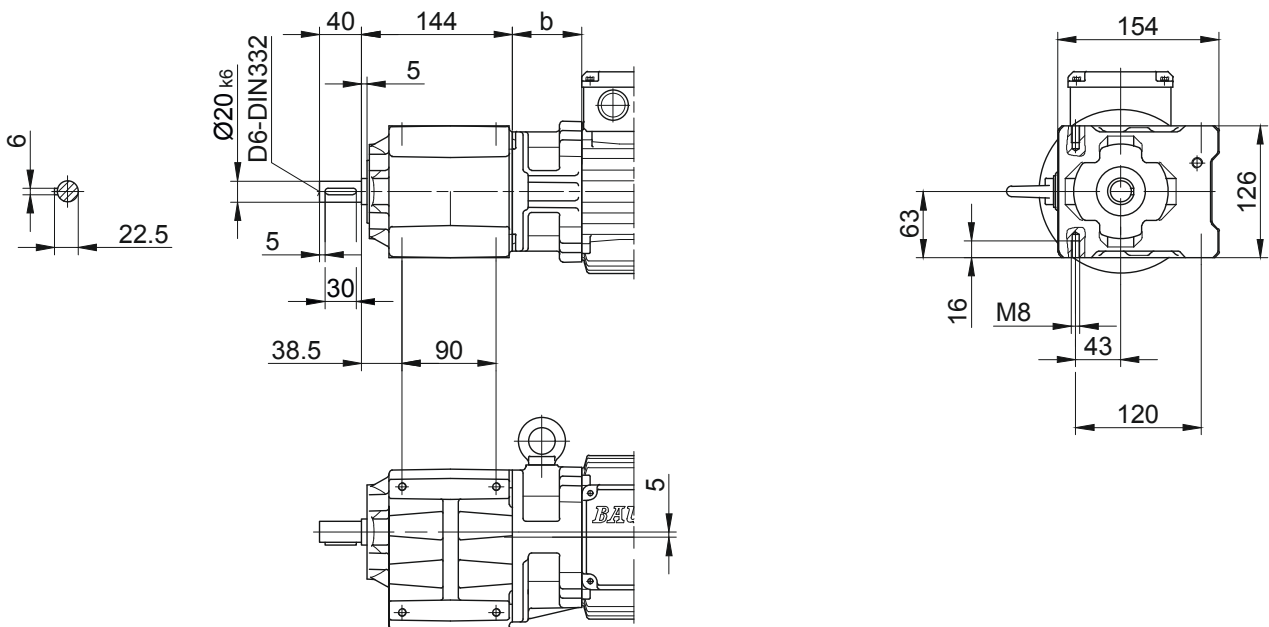
Flange with tapped holes

Code -71/



Foot with tapped holes left and right

Code -61LR/



Foot plate left

Code -91L/

