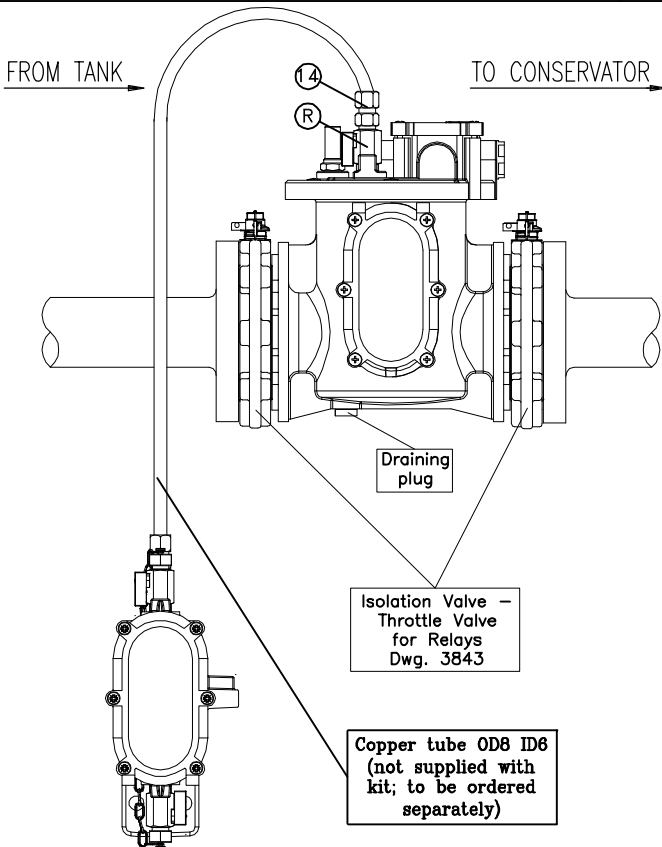


Pos	Description
1	Inspection window
2	Gas release cock
11	Oil drain cock
12	Stop cock
13	Fixing plate
14	Hermeto joint

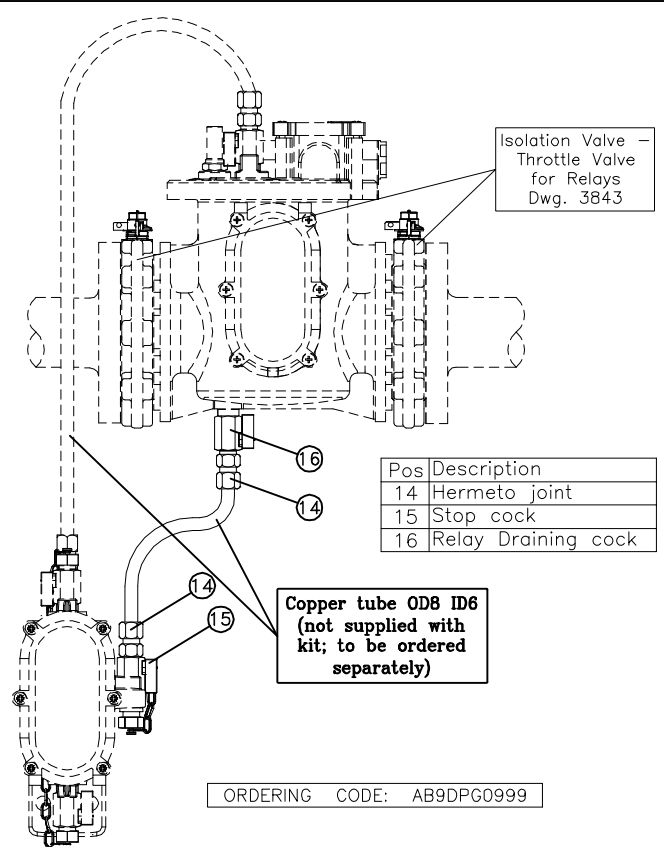
ORDERING CODES		
MODEL	WINDOW MATERIAL	CODE
RG3.2	TEMPERED GLASS	AB9DPG0172
RG3.2	TROGAMID	AB9DPG0102

Average weight : ~2.5 Kg

**RG3 Mounting sketch**



**OPTIONAL: Relay oil draining Kit**



Pos	Description
14	Hermeto joint
15	Stop cock
16	Relay Draining cock

ORDERING CODE: AB9DPG0999