



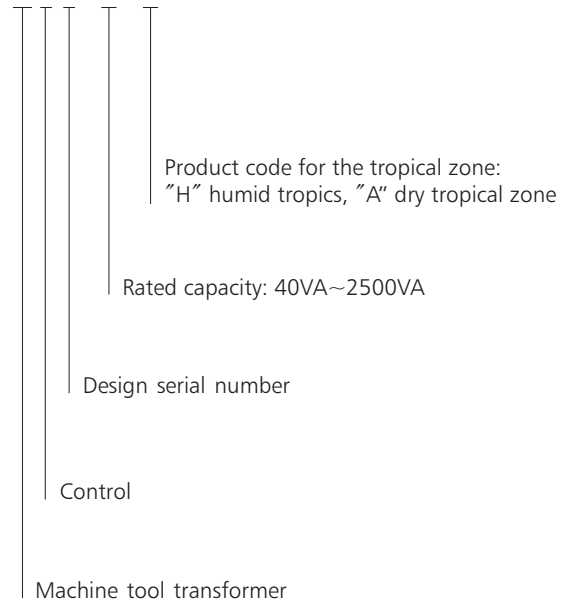
JBK5 Control Transformer

1. General

- 1.1 Application: JBK5 series control transformers are suitable for AC circuit of 50Hz/60Hz, used as control sources for various mechanical equipment and general electrical appliances, and used as power supplies for work lighting and signal lamps.
- 1.2 Standard: IEC/EN 61558, Q/ZT205

2. Type designation

JB K 5 - □ / □



3. Operating conditions

- 3.1 Temperature: $-5^{\circ}\text{C} \sim +40^{\circ}\text{C}$, should not exceed $+35^{\circ}\text{C}$ the average value within 24 hours. If the lowest limit is -10°C or -25°C , please declared.
- 3.2 Altitude: $\leq 2000\text{m}$;
- 3.3 Relative humidity $\leq 90\%$, when the average lower limit value is under $+25^{\circ}\text{C}$ within the month; $\leq 50\%$ when the temperature is $+40^{\circ}\text{C}$.
And when lower temperature; the humidity could be relatively higher.
But the teperature is lower, the humidity higher.

4. Structure features

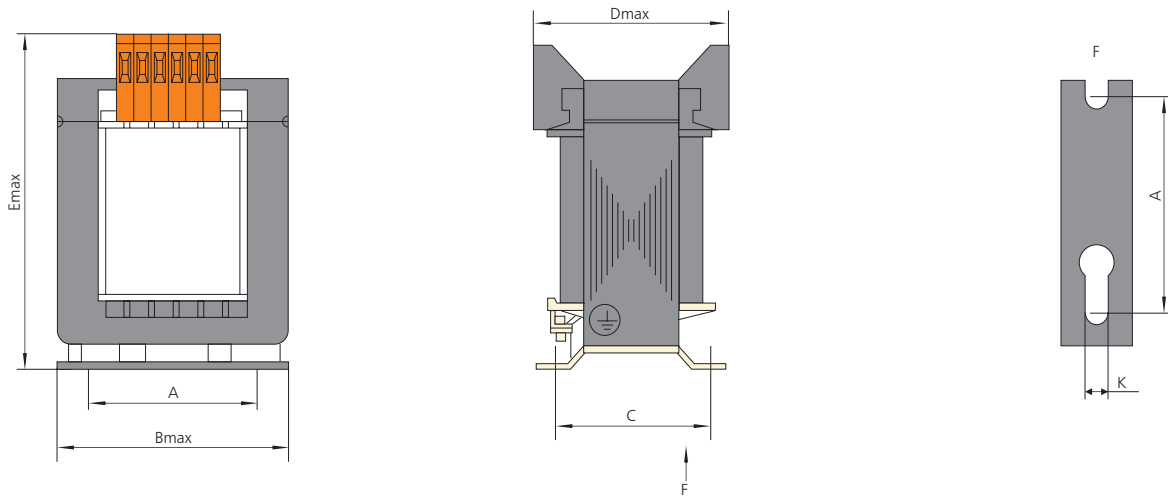
We always adopt gas argon arc welding for the connection among iron cores and between iron core and clamping piece (mounting piece) of JBK5 series control transformers, which enables the product to be an entirety, so that the structure is more reasonable and reliable.

The mounting piece adopts technique of casting at a time and the earthing lugs are made of high quality corrosion protection alloy material, which sharply improves the reliability of grounding.

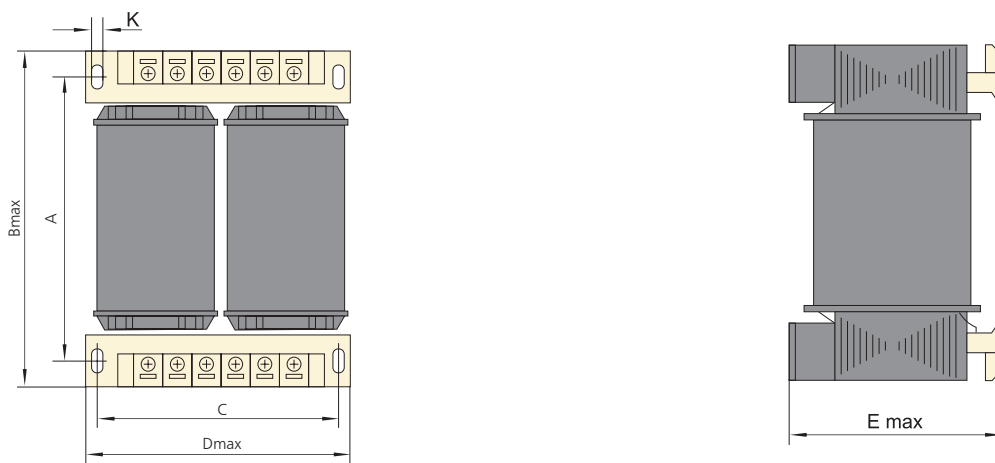
In addition, the products have advantages of reliable operation, low dissipation of energy, compact volume, safe wiring, wide applicability, etc.

5. Overall and mounting dimensions

JBK5-40~630 type



JBK5-1000~2500 type



Dimension (mm) Capacity (VA)	Item	Overall dimensions (mm)			Mounting dimensions (mm)		Mounting holes (mm)
		B max	D max	E max	A	C	K
40~63		79	78	92	66	46	4.8
100		85	95	97	72	62	4.8
160		97	96	105	84	73.5	5.8
250		97	110	105	84	85	5.8
400		121	110	122	100	85	7
630		151	116	143	130	90	7
1000		230	170	156	160	142	7×14
1600		258	185	168	180	155	7×14
2500		285	210	175	210	175	7×14