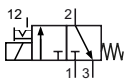


Technical details

Connection	G1/8
Temperature range	-10°C ... +60°C
Medium	Filtered, oil-free and dried compressed air according to ISO 8573-1:2010, Class 7:2:4, instrument air, free of aggressive additives. Alternatively the pressure dew point must be at least 10°C below lowest occurring ambient temperature.
Materials	Body: Al (painted), seals: NBR, inner parts: Al, steel and plastic
Protection	IP 65 according to EN 60529



Electrically operated poppet valve. The manual override is detent and is operated by screw driver.

3/2-way valves


86-MS-3V-yy-xxx
 3/2-Wege, single solenoid, mechanical spring return, NC

Please complete: xxx = electrical option
 yy = number of stations (01 ... 20)

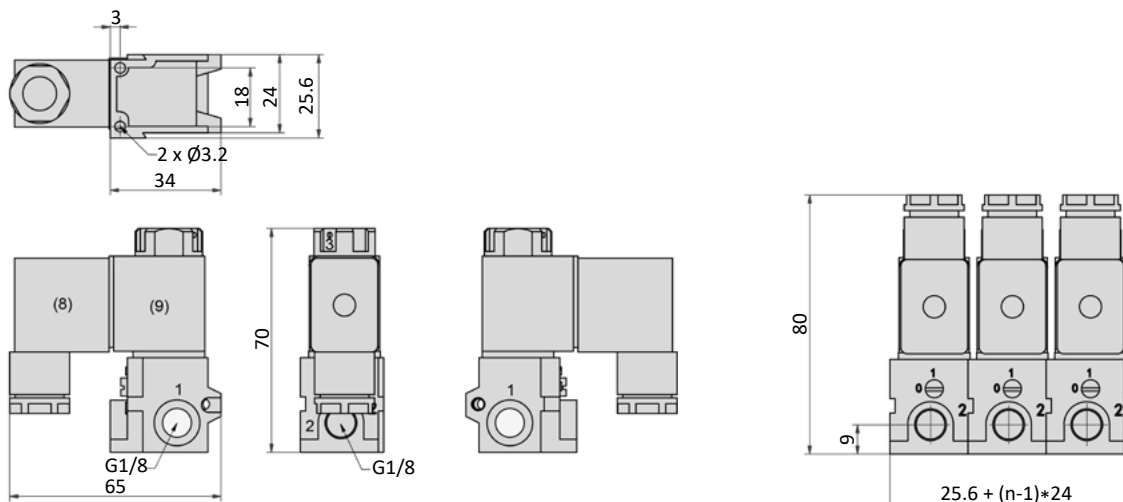
Electrical options

Nominal voltage	Power consumption	Specifics	Plug connection* ¹	-XXX Manual override on same side of port 2
24 V DC	4.8 W		Form B industrial norm	-M42
220 V AC	5.5 VA		Form B industrial norm	-M57

*¹ Plug socket with integrated LED are part of delivery

Technical data

Model-no.:	86-MS-3V-yy
Operating pressure (bar)	0...8
Nominal size (mm)	1
Flow rate (NI/min)	50
Response time (ms) at 6 bar	20
Weight (kg)	0.176 * yy, (yy = number of stations (01 ... 20))

Dimensions


Plug sockets

Form B industrial norm

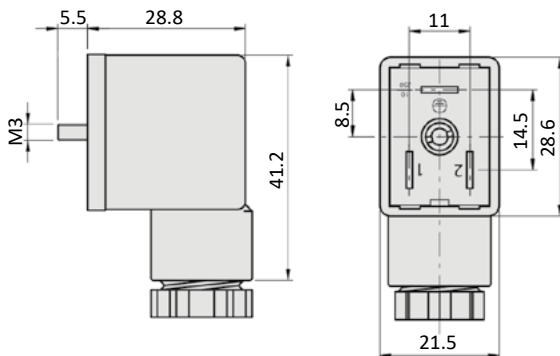
Overall width	22 mm
Contact distance	11 mm
Contacts	2P + E
Protection	IP 65 according to EN 60529 requires a flat gasket
For use with series	86-MV-5-28, 86-MV-5-14, 86-MV-5-24, 86-MV-5-38, 86-MV-5-12, 86-MV-3, 86-MN-4, 86-MS-3V



Model-no.:	28-ST-01	86-ST-04-112	28-ST-04-127
Voltage (AC/DC)	0 - 250 V	24 V DC	220 V AC
Status indicator	no	yes	yes
Protective circuit	no	no	no
Connecting cable	without	without	without
Wire cross section	max. 1.5 mm ²	max. 1.5 mm ²	max. 1.5 mm ²
Ø Connecting cable	6 - 8 mm	6 - 8 mm	6 - 8 mm

Dimensions

Form B industrial norm



Form B industrial norm

Overall width	22 mm
Contact distance	11 mm
Contacts	2P + E
Protection	IP 65 according to EN 60529 with connected plug socket
Duty cycle	100 %
Temperature range*	-20°C...+50°C
Voltage tolerance	± 10 %
For use with series	86-MV-5-28, 86-MV-5-14, 86-MV-5-24, 86-MV-5-38, 86-MV-5-12, 86-MV-3, 86-MN-4

* The max. applicable operating temperature depends on the temperature specification of the used valve.

