

Sample gas probe GAS 222.35 Ex2

In many applications gas analysis is the key for safe and efficient control of process flows, environmental protection and quality assurance. In extractive gas analysis the location of the gas sampling point is crucial for the reproducibility and accuracy of the analysis results.

The specific filter capacity, corrosion resistance and functional equipment requirements for the probe arise from the composition of the sample gas.

However, operating costs are also an important criterion in the selection, as the sampling points are frequently located at hard to access points in the system. Effective particle filter backwashing options and low maintenance characterise the extensive GAS probe series.

Versions with Atex and IECEx approval

Heated probe with upstream filter and weather hood

The filter element can easily be removed by turning the handle 90°

The probe body and the area around the screw connection for the heated sample gas line are completely insulated

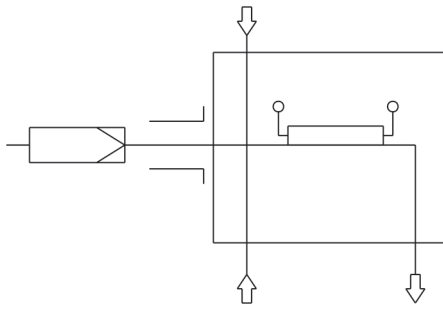
Heater self-regulating to approx. 130 °C (T3)/70 °C (T4) with low temperature alarm

For dust loads up to 200 g/m³

This probe is permitted for use in explosive areas



Flow chart



Technical Data

Gas Probe Technical Data

Ambient temperature without accessories:	-20 to +80 °C	
Ambient temperature for accessories:	Component	Ambient temperature range
	Valve for pressurized air:	-30 °C < T _{amb} < +55 °C
	Junction box:	-20 °C < T _{amb} < +70 °C
Max. gas inlet temperature:	+195 °C (T3)/+130 °C (T4)	
Medium temperature (blowback):	Component	Medium temperature range
	Valve for pressurized air:	-10 °C to +80 °C
Self-regulating heater:	+130 °C (T3)/+70 °C (T4)	
Low temperature alarm:	Contact switches at < 95 °C (T3) or < 50 °C (T4); Simple electrical equipment according to EN 60079-11; U _i 30 V, I _i = 100 mA; C _i /L _i ~0	
Electrical data:	230 V, 2.0 A, 50/60 Hz 115 V, 3.8 A, 50/60 Hz	
Max. operating pressure	6 bar	
Material:	1.4571	
Parts in contact with media:	Seals: Graphite/1.4404 and see filter	
Markings:	ATEX: II 3G Ex ec ic mb IIC T3/T4 Gc IECEX: Ex ec ic mb IIC T3/T4 Gc	

Ordering instructions

The item number is a code for the configuration of your unit. Please use the following model key:

4622235	X	0	X	X	X	X	3	X	X	X	X	0	0	0	Product characteristics
															Junction box
		0													No
		1													Yes
															Flange
		0	1												Flange DN65 PN6
		0	2												Flange DN3"-150
															Hazardous area Outside and Inside
			2	9											Ex-Zone 2 outside, none inside
			2	2											Ex-Zone 2 outside and inside
															Temperature class
				3											T3
				4											T4
															Power supply sample probe
										3					115/230 V
															Low temperature alarm
														1	Opener (open at operating temperature) (marked with "ic")
														2	Closer (closed at operating temperature) (marked with "ic")
															Calibration gas port
														0	No
														1	6 mm
														2	6 mm with check valve
														3	1/4"
														4	1/4" with check valve
															Capacitive vessel *
														0	No
														1	Yes
															Valve for pressurized air *
														0	Ball valve
														1	Solenoid valve 110 V (marked with "mb")
														2	Solenoid valve 230 V (marked with "mb")
														3	Solenoid valve 24 V (marked with "mb")
														9	none

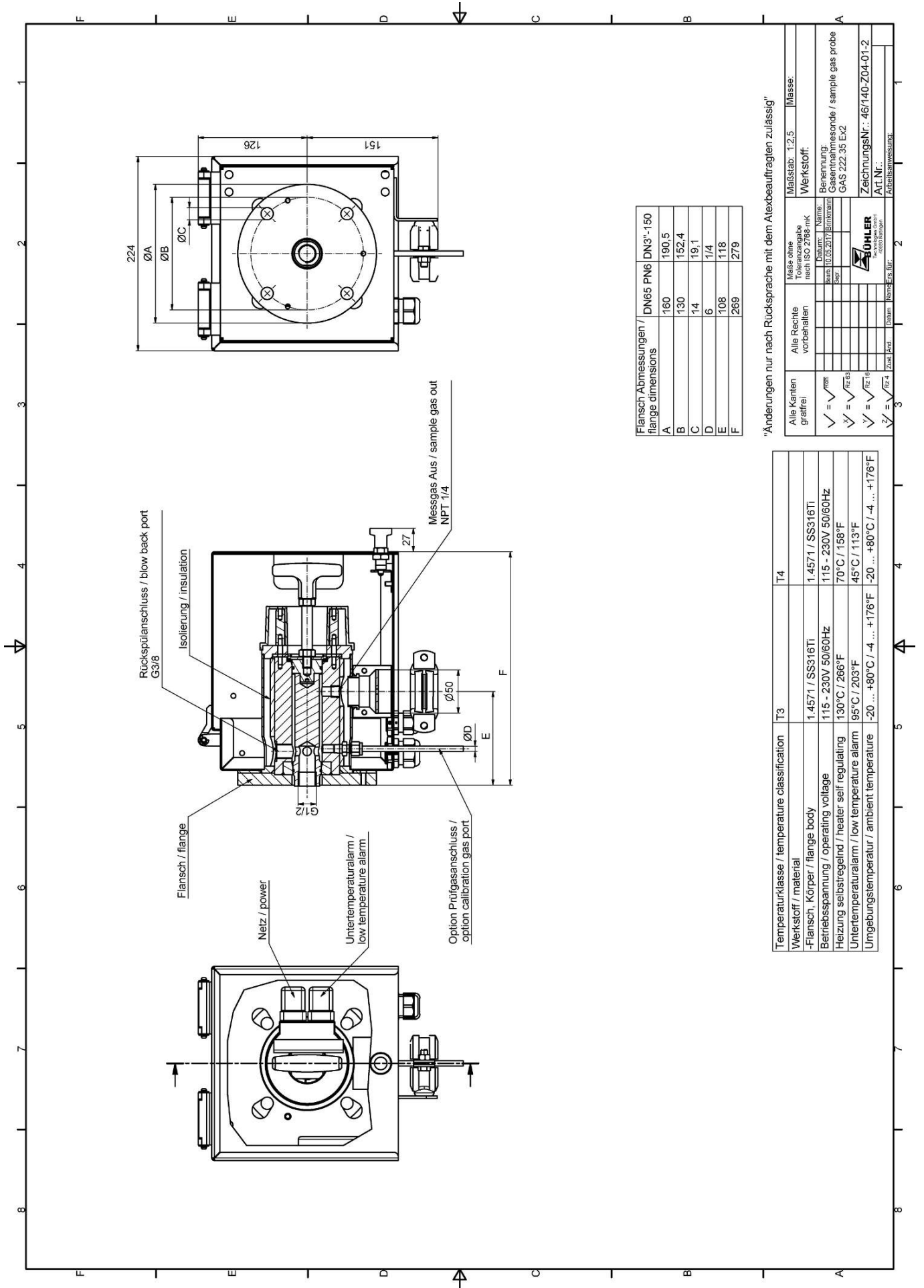
* Blowback of explosive atmosphere prohibited.

Options

The base unit becomes functional by adding accessories suitable for the application. Please refer to accessory data sheet no. 461099 for information.

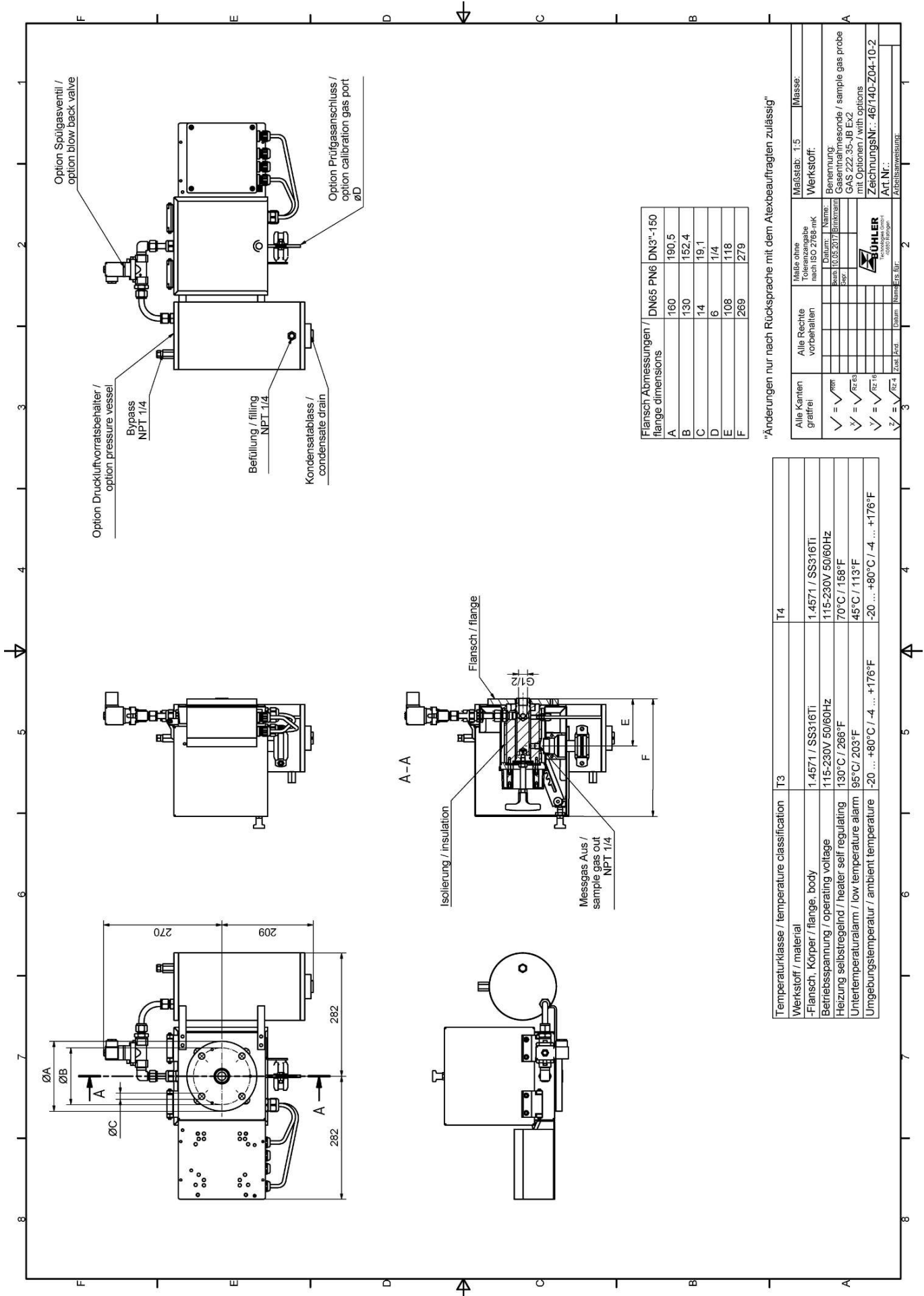
Please also refer to data sheet no. 461000 "GAS 222 Gas Probes" for a general description.

Dimensions



Alle Kanten gratfrei	Alle Rechte vorbehalten	Mitte ohne Toleranz nach ISO 2768-mK	Maßstab: 1:2.5	Masse:
✓ = √R0.4			Werkstoff:	
✓ = √Rz.0.5			Benennung:	Gesamtdimensione / sample gas probe
✓ = √Rz.1.6			Zeichnungs-Nr.:	46/140-Z04-01-2
✓ = √Rz.4			Art Nr.:	
			Abteilbezeichnung:	

Temperaturklasse / temperature classification	T3	T4
Werkstoff / material	1.4571 / SS316Ti	1.4571 / SS316Ti
Flansch, Körper / flange body	115 - 230V 50/60Hz	115 - 230V 50/60Hz
Betriebsspannung / operating voltage	130°C / 266°F	70°C / 158°F
Heizung selbstregelnd / heater self regulating	95°C / 203°F	45°C / 113°F
Untertemperaturalarm / low temperature alarm	-20 ... +80°C / -4 ... +176°F	-20 ... +80°C / -4 ... +176°F
Umgebungstemperatur / ambient temperature		



Flansch Abmessungen / flange dimensions	DN65 PN6	DN3"-150
A	160	190,5
B	130	152,4
C	14	19,1
D	6	1/4
E	108	118
F	269	279

Änderungen nur nach Rücksprache mit dem Atexbeauftragten zulässig

Temperaturklasse / temperature classification	T3	T4
Werkstoff / material	1.4571 / SS316Ti	1.4571 / SS316Ti
-Flansch, Körper / flange, body	115-230V 50/60Hz	115-230V 50/60Hz
Betriebsspannung / operating voltage	130°C / 266°F	70°C / 158°F
Heizung selbstregulierend / heater self regulating	95°C / 203°F	45°C / 113°F
Untertemperaturalarm / low temperature alarm	-20 ... +80°C / -4 ... +176°F	-20 ... +80°C / -4 ... +176°F
Umgebungstemperatur / ambient temperature		

Alle Kanten gratfrei	Alle Rechte vorbehalten	Alle ohne Typen nach ISO 2768 mK	Maßstab: 1:5	Masse:
✓ = ✓ ^{min}		Name: <input type="text"/>	Werkstoff:	
✓ = ✓ ^{max}		Datum: <input type="text"/>	Benennung:	
✓ = ✓ ^{RE 63}		Zeichnungs-Nr.: 461740-Z04-10-2	Gasentnahmesonde / sample gas probe	
✓ = ✓ ^{RE 16}		Art Nr.:	mit Optionen / with options	
✓ = ✓ ^{RE 19}		Arbeitsweise:		
✓ = ✓ ^{RE 4}				