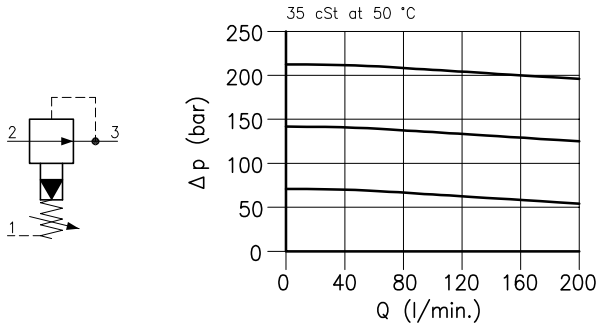
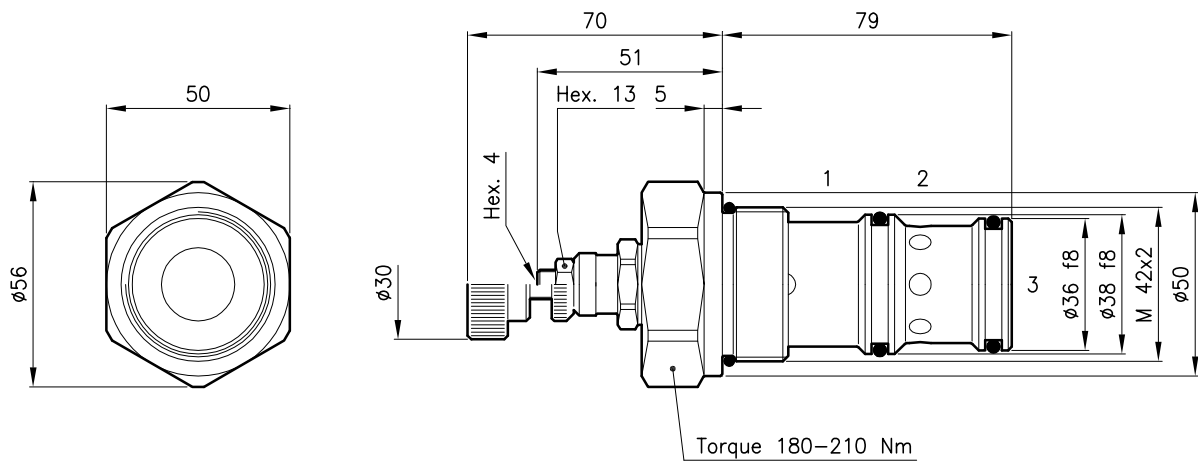


**Technical features**



Cavity	(For dimensions see catalogue 17.000)	S 70/3
Max. flow	(l/min.)	160
Max. inlet pressure	(bar)	420
Pressure setting range	(bar)	10 - 210
Max. drain	(l/min.)	0.4 - 0.6
Fluid viscosity range	(cSt)	2.8 - 380
Fluid temperature range	(°C)	-20 +80
Mass	(kg)	0.700
Standard setting obtains with 1 l/min.		
Hydraulic fluid; mineral oil HM and HV ISO 6074		
Recommended filtration; 19/15 ISO 4466 (25 μ absolutes)		
Standard seals in Polyurethane and Buna N		

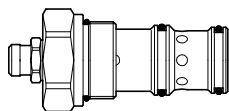
**Dimensions**



**Ordering informations**

**RLY 70/D-N**

**RLY 70** = Valve type

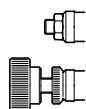


Standard springs

Type	Setting range	Factory set
<b>D</b>	= 10 - 210 bar	140 bar

Adjustment type

- N** = Standard adjustment
- V** = Handknob adjustment



Codes:

RLY 70/D-N	71 011 106
RLY 70/D-V	71 011 107
External seals kit	90 620 120

RLY 70 valves can be assembled on standard bodies 70-C3 series; for dimensions see catalogue 16.010