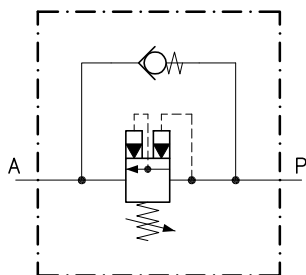


**Technical features**

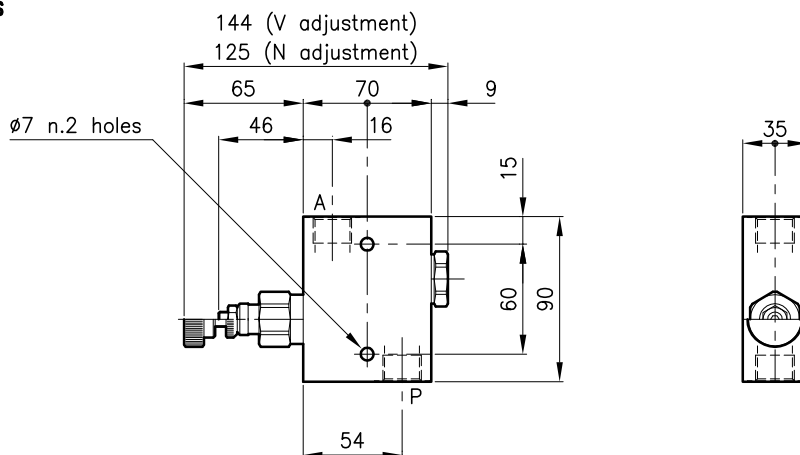
They are used to unload a line under pressure or as sequence valve.

At setting pressure achievement the valve opens itself allowing the fluid free-flow passage. When pressure drop under a value lower than 7 bar, the valve closes again. The annexed by-pass valve allows the reverse free-flow.



Valves	(For features see catalogue 04.010)	LPQ 30
	(For features see catalogue 05.060)	CAE 30/P
Max. flow	(l/min.)	70
Max. pressure in P	(bar)	420
Max. pressure on A	(bar)	350
Max. reseal pressure	(bar)	7
Fluid viscosity range	(cSt)	2.8 - 380
Fluid temperature range	(°C)	-20 +80
Mass	(kg)	0.980
Cracking pressure 95% of setting value		
Cracking pressure defined with 1 l/min.		
Hydraulic fluid; mineral oil HM and HV ISO 6074		
Recommended filtration; 19/15 ISO 4466 (25 μ absolutes)		
Standard seals in Polyurethane and Buna N		

**Dimensions**



**Ordering informations**

**LPQ 30/D-N-CSL 10-B08**

Valve type

Standard springs

Type Setting range

**D** = 14 - 210 bar

**Q** = 105 - 420 bar

Adjustment type

**N** = Standard adjustment

**V** = Handknob adjustment

Version

Standard ports

**B06** = G 3/8 ISO 228

**B08** = G 1/2 ISO 228

Codes:

LPQ 30/D-N-CSL 10-B06	31 011 151
LPQ 30/Q-N-CSL 10-B06	31 011 152
LPQ 30/D-V-CSL 10-B06	31 011 153
LPQ 30/Q-V-CSL 10-B06	31 011 154

LPQ 30/D-N-CSL 10-B08	31 011 155
LPQ 30/Q-N-CSL 10-B08	31 011 156
LPQ 30/D-V-CSL 10-B08	31 011 157
LPQ 30/Q-V-CSL 10-B08	31 011 158

Only body codes:

Body type 30-CSL 10-B06	38 144 127
Body type 30-CSL 10-B08	38 144 128