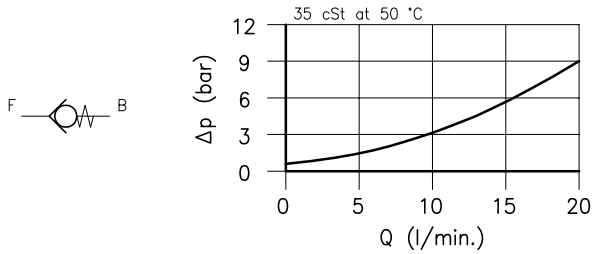
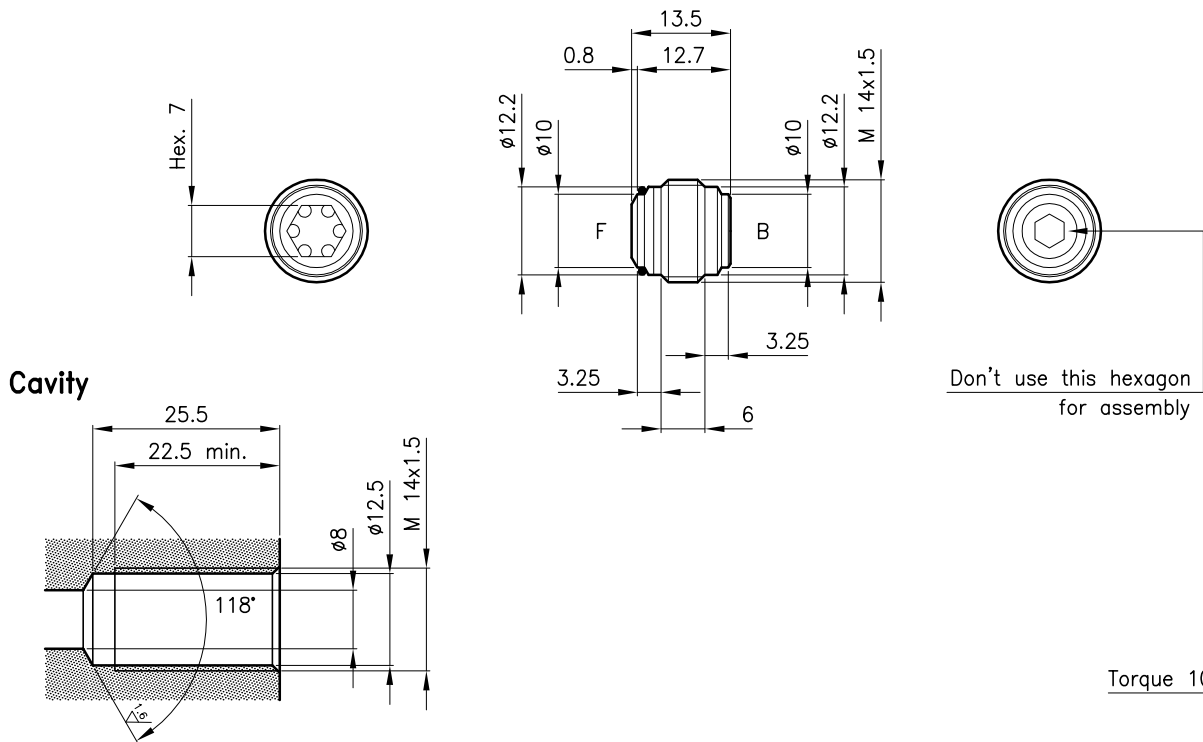


Technical features



Cavity (For dimensions see underlying space)	M 14x1.5
Nominal flow (l/min.)	18
Max. pressure (bar)	350
Cracking pressure (bar)	1
Fluid viscosity range (cSt)	2.8 - 380
Fluid temperature range (°C)	-20 +80
Mass (kg)	0.010
Hydraulic fluid; mineral oil HM and HV	ISO 6074
Recommended filtration; 19/15 ISO 4466 (25 μ absolutes)	
Standard seals in Buna N	

Dimensions



Ordering informations

CB 20/D05-P

CB 20 = Valve type



D05 = M 14x1.5

Standard spring

P = 1 bar

Codes:

CB 20/D05-P 27 011 100

External O-Ring 90 607 107