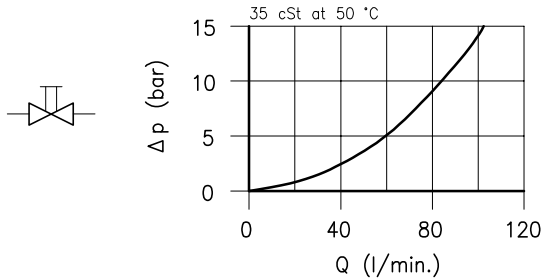
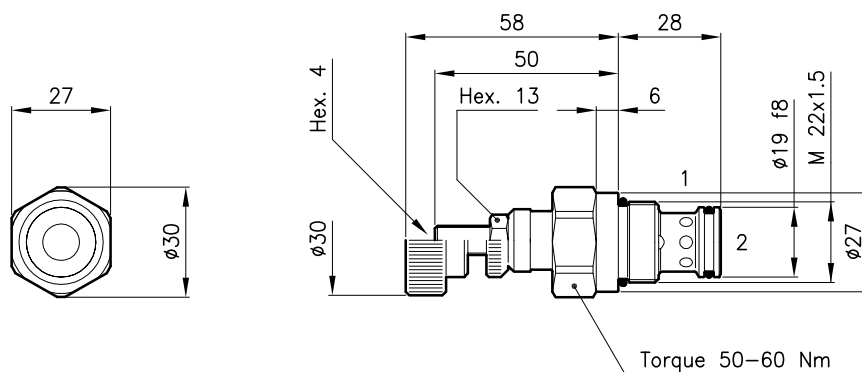
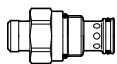


Technical features

The RMB 30 are manual valves total shut off with conical seat. They are normally used as interceptor or by-pass for manual override.
The flow direction is indifferent.



Cavity (For dimensions see catalogue 17.000)	S 30/2
Nominal flow (l/min.)	70
Max. pressure (bar)	315
Fluid viscosity range (cSt)	2.8 - 380
Fluid temperature range (°C)	-20 +80
Mass (kg)	0.160
Leakage when closed	Total shut off
Hydraulic fluid; mineral oil HM and HV	ISO 6074
Recommended filtration; 19/15 ISO 4466 (25 μ absolutes)	
Standard seals in Polyurethane and Buna N	

Dimensions

Ordering informations
RMB 30/V
RMB 30 = Valve type


Adjustment type

N = Standard adjustment

V = Handknob adjustment


Codes:

RMB 30/N 32 011 141

RMB 30/V 32 011 140

External seals kit 90 620 103

RMB 30 valves can be assembled on standard bodies 30-LO series; for dimensions see catalogue 16.010