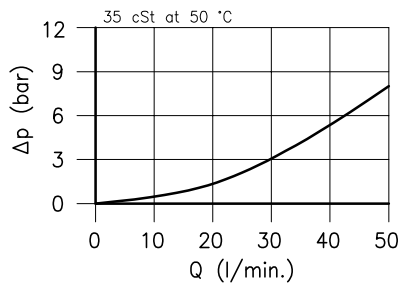
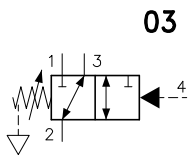
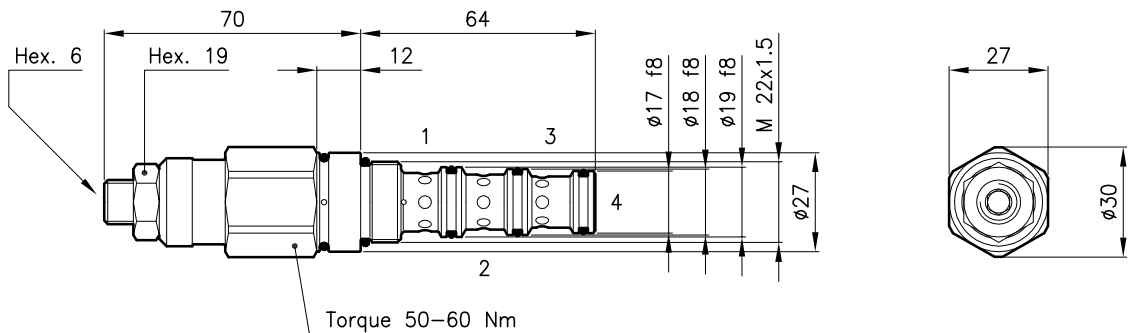


Technical features



Cavity	(For dimensions see catalogue 17.000)	S 30/4
Nominal flow	(l/min.)	40
Max. pressure	(bar)	350
Fluid viscosity range	(cSt)	2.8 - 380
Fluid temperature range	(°C)	-20 +80
Mass	(kg)	0.310
Hydraulic fluid; mineral oil HM and HV	ISO 6074	
Recommended filtration; 19/15 ISO 4466 (25 μ absolutes)		
Standard seals in Polyurethane and Buna N		

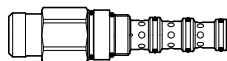
Dimensions



Ordering informations

VDT 30/4203-D-N

VDT 30 = Valve type



Circuit



Standard springs

Type	Setting range
U	= 5 - 35 bar
D	= 14 - 70 bar
T	= 35 - 105 bar
Q	= 70 - 210 bar

Adjustment type

N = Standard adjustment



Codes:

VDT 30/4203-U-N	32 011 135
VDT 30/4203-D-N	32 011 136
VDT 30/4203-T-N	32 011 137
VDT 30/4203-Q-N	32 011 161
External seals kit	90 620 105

VDT 30 valves can be assembled on standard bodies 30-C4 series; for dimensions see catalogue 16.011