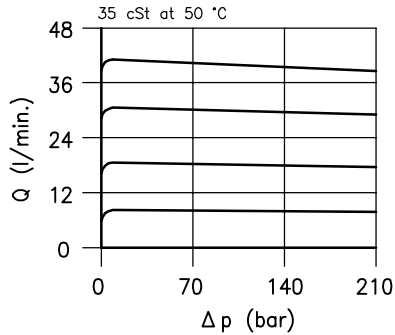
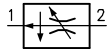
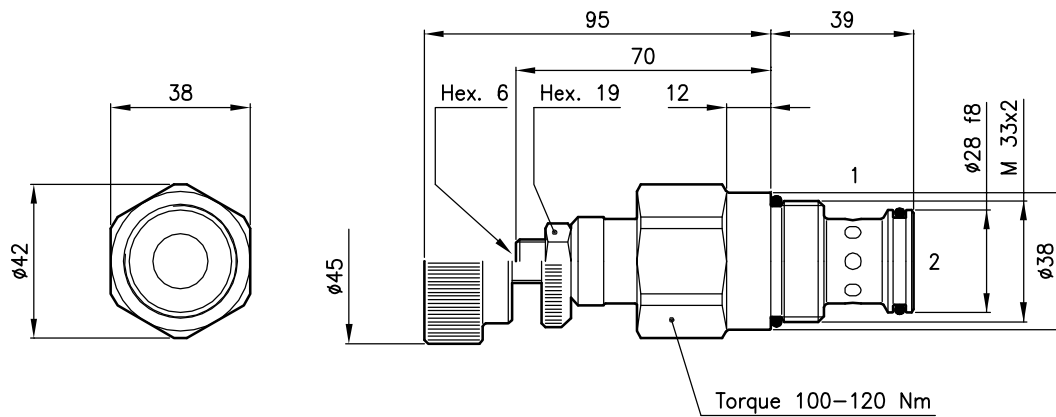


Technical features



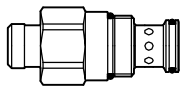
Cavity	(For dimensions see catalogue 17.000)	S 50/2
Flow setting range ± 10% (l/min.)	type U	4 – 8
	type D	8 – 16
	type T	16 – 30
	type Q	30 – 60
Max. pressure	(bar)	315
Fluid viscosity range	(cSt)	2.8 – 380
Fluid temperature range	(°C)	-20 +80
Mass (Standard adjustment type N)	(kg)	0.510
Hydraulic fluid; mineral oil HM and HV ISO 6074		
Recommended filtration; 19/15 ISO 4466 (25 μ absolutes)		
Standard seals in Polyurethane and Buna N		

Dimensions



Ordering informations

RDC 50 = Valve type



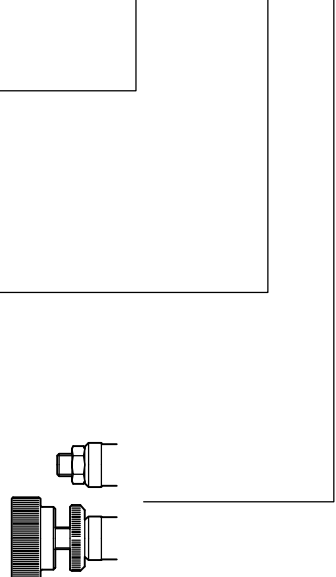
Flow setting range

- U** = 4 – 8 l/min
- D** = 8 – 16 l/min
- T** = 16 – 30 l/min
- Q** = 30 – 60 l/min

Adjustment type

- N** = Standard adjustment
- V** = Handknob adjustment

RDC 50/D-N



Codes:

RDC 50/U-N	53 011 104
RDC 50/D-N	53 011 105
RDC 50/T-N	53 011 106
RDC 50/Q-N	53 011 107
RDC 50/U-V	53 011 112
RDC 50/D-V	53 011 113
RDC 50/T-V	53 011 114
RDC 50/Q-V	53 011 115
External seals kit	90 620 106

RDC 50 valves can be assembled on standard bodies 50-LO series; for dimensions see catalogue 16.010