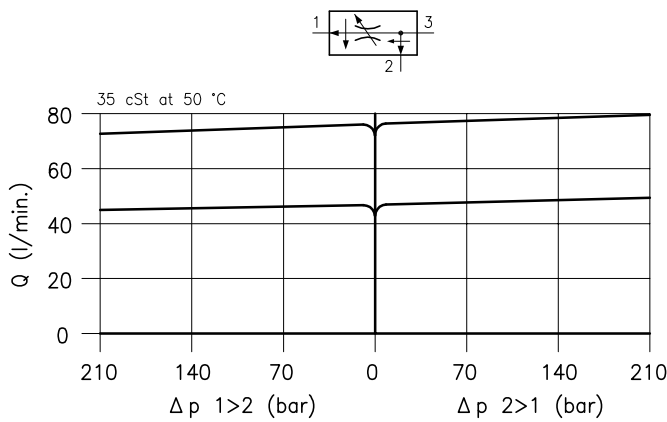
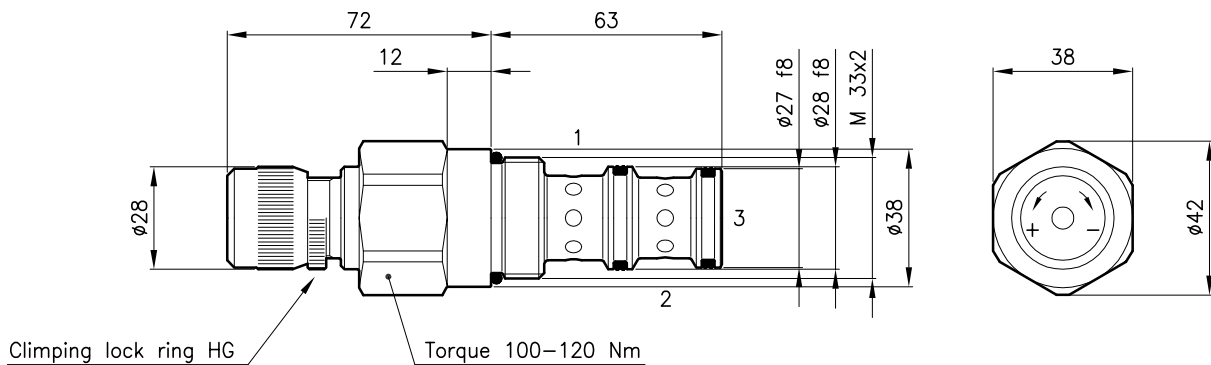


Technical features



Cavity	(For dimensions see catalogue 17.000)	S 50/3
Max. inlet flow	(l/min.)	120
Flow setting range	(l/min.)	type D 0.05 – 45
		type Q 0.05 – 75
Max. pressure	(bar)	315
Min pressure difference	(bar)	7
Fluid viscosity range	(cSt)	2.8 – 380
Fluid temperature range	(°C)	-20 +80
Mass	(kg)	0.600
Hydraulic fluid; mineral oil HM and HV		ISO 6074
Recommended filtration; 19/15 ISO 4466 (25 μ absolutes)		
Complete adjustment range obtained with 1 knob turn		
Standard seals in Polyurethane and Buna N		

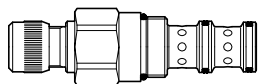
Dimensions



Ordering informations

DPZ 50/D-H

DPZ 50 = Valve type



Flow setting range

D = 0.05 – 45 l/min

Q = 0.05 – 75 l/min

Adjustment type

H = Standard

HG = With clamping lock ring

Codes:

DPZ 50/D-H 53 011 126

DPZ 50/Q-H 53 011 127

DPZ 50/D-HG 53 011 128

DPZ 50/Q-HG 53 011 129

External seals kit 90 620 107

DPZ 50 valves can be assembled on standard bodies 50-C3 series; for dimensions see catalogue 16.010