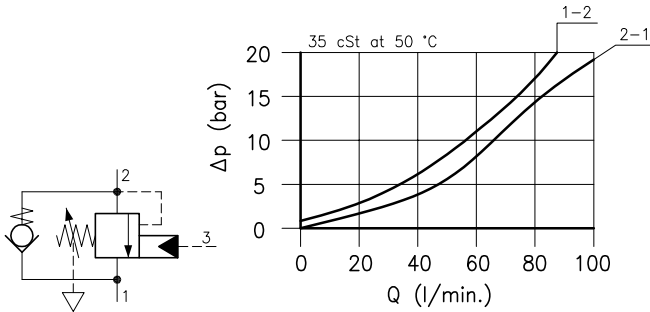


Technical features

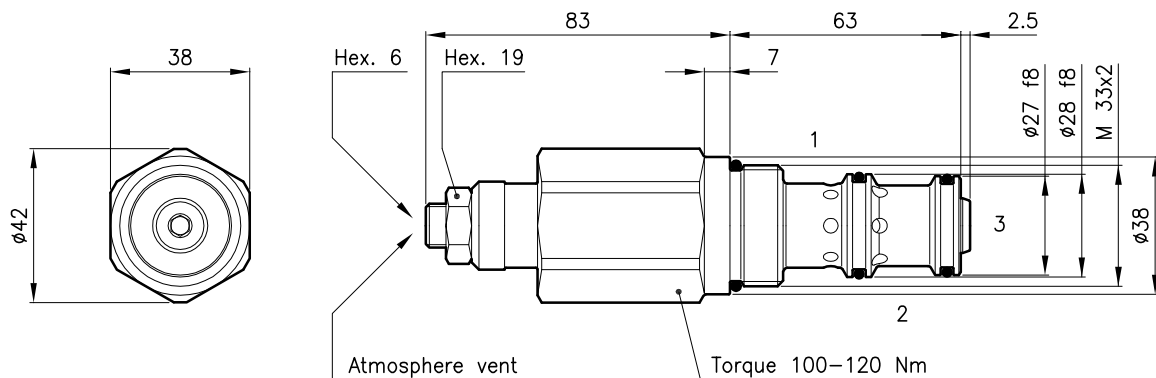


$$PP = \frac{SP - LP}{8}$$

PP = Pilot pressure
SP = Setting pressure
LP = Load induced pressure

Cavity (For dimensions see catalogue 17.000)	S 50/3
Max. flow (l/min.)	90
Max. system pressure (bar)	315
Max. setting pressure (bar)	420
Pilot ratio	8:1
Fluid viscosity range (cSt)	2.8 - 380
Fluid temperature range (°C)	-20 +80
Mass (kg)	0.730
Cracking pressure 95% of setting value	
reset pressure 75% of setting value	
Standard setting obtained with 1 l/min.	
Hydraulic fluid; mineral oil HM and HV ISO 6074	
Recommended filtration; 19/15 ISO 4466 (25 μ absolutes)	
Standard seals in Polyurethane and Buna N	

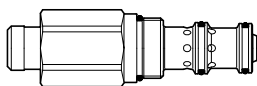
Dimensions



Ordering informations

CMC 50/T-L

CMC 50 = Valve type



Standard springs

Type	Setting range	Factory set
D	25 - 125 bar	105 bar
T	105 - 420 bar	280 bar

Adjustment type

L = Adjustment with overset protection



Codes:

CMC 50/D-L	54 011 102
CMC 50/T-L	54 011 103
External seals kit	90 620 107

CMC 50 valves can be assembled on standard bodies 50-C3 series; for dimensions see catalogue 16.010