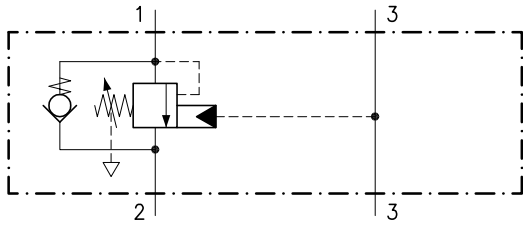
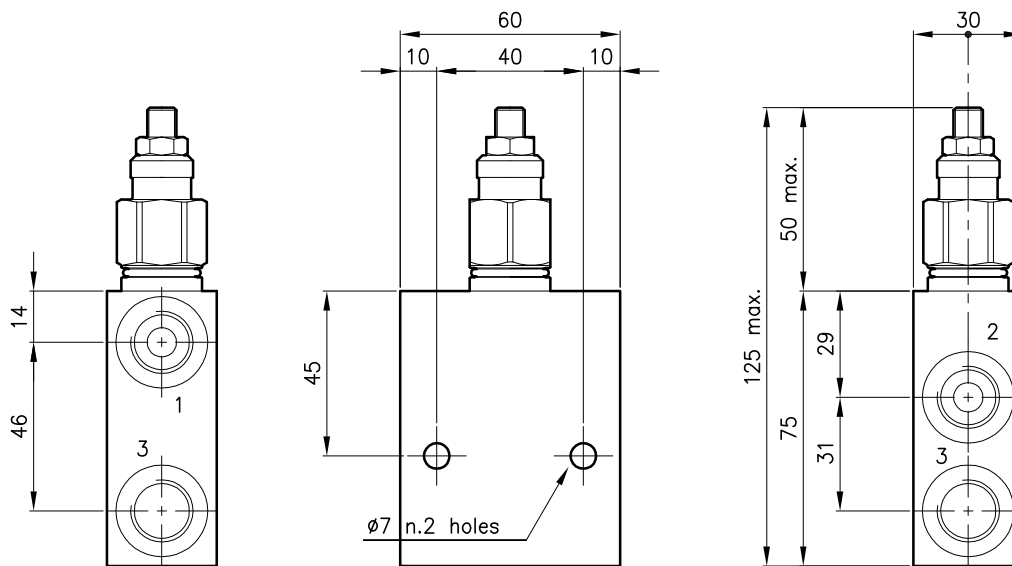


**Technical features**



Valve	(For features see catalogue 07.090)	CMB 20
Max. flow	(l/min.)	20
Max. system pressure	(bar)	270
Max. setting pressure	(bar)	320
Pilot ratio		3.75:1
Fluid viscosity range	(cSt)	2.8 - 380
Fluid temperature range	(°C)	-20 +80
Mass	(kg)	0.550

**Dimensions**



**Ordering informations**

**CMB 20/D-N-PP-B06**

**CMB 20** = Valve type

Standard springs

Type Setting range

**U** = 25 - 125 bar

**D** = 50 - 205 bar

**T** = 105 - 320 bar

Adjustment type

**N** = Standard adjustment

Version

Factory set

70 bar

140 bar

280 bar



Standard ports

**B05** = G 1/4 ISO 228

**B06** = G 3/8 ISO 228

Codes:

CMB 20/U-N-PP-B05 24 011 123

CMB 20/D-N-PP-B05 24 011 124

CMB 20/T-N-PP-B05 24 011 125

CMB 20/U-N-PP-B06 24 011 126

CMB 20/D-N-PP-B06 24 011 127

CMB 20/T-N-PP-B06 24 011 128

Only bodies code:

Body type 20-PP-B05 28 144 152

Body type 20-PP-B06 28 144 153