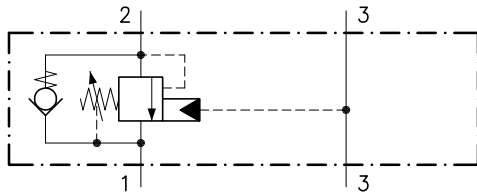
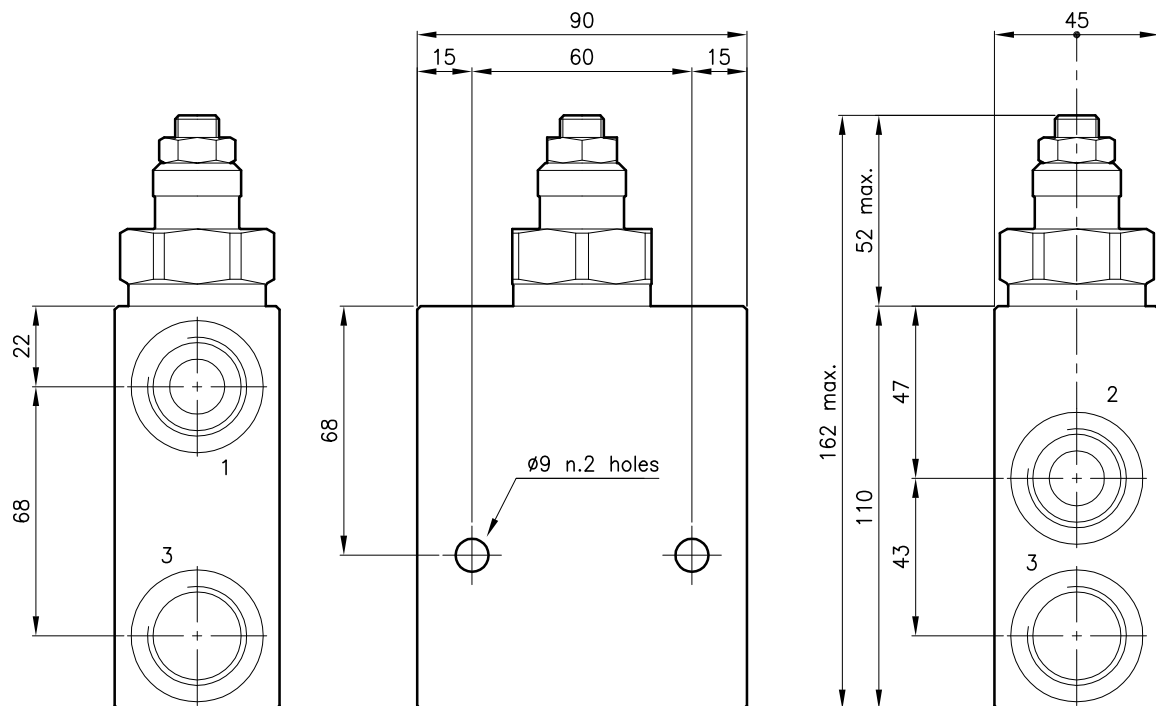


Technical features



Valve	(For features see catalogue 07.070)	CMQ 50
Max. flow	(l/min.)	90
Max. system pressure	(bar)	315
Max. setting pressure	(bar)	420
Pilot ratio		8:1
Fluid viscosity range	(cSt)	2.8 - 380
Fluid temperature range	(°C)	-20 +80
Mass	(kg)	1.700

Dimensions



Ordering informations

CMQ 50/T-L-PP-B12

CMQ 50 = Valve type

Standard springs

Type Setting range Factory set

D = 25 - 125 bar 105 bar

T = 105 - 420 bar 280 bar

Adjustment type

L = Adjustment with oversight protection

Version

Standard ports

B08 = G 1/2 ISO 228

B12 = G 3/4 ISO 228

Codes:

CMQ 50/D-L-PP-B08 54 011 122

CMQ 50/T-L-PP-B08 54 011 123

CMQ 50/D-L-PP-B12 54 011 124

CMQ 50/T-L-PP-B12 54 011 125

Only bodies code:

Body type 50-PP-B08 58 144 149

Body type 50-PP-B12 58 144 150