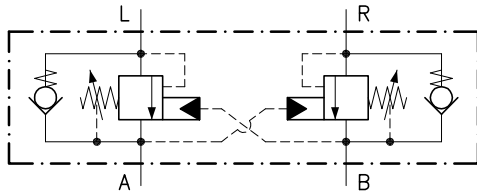
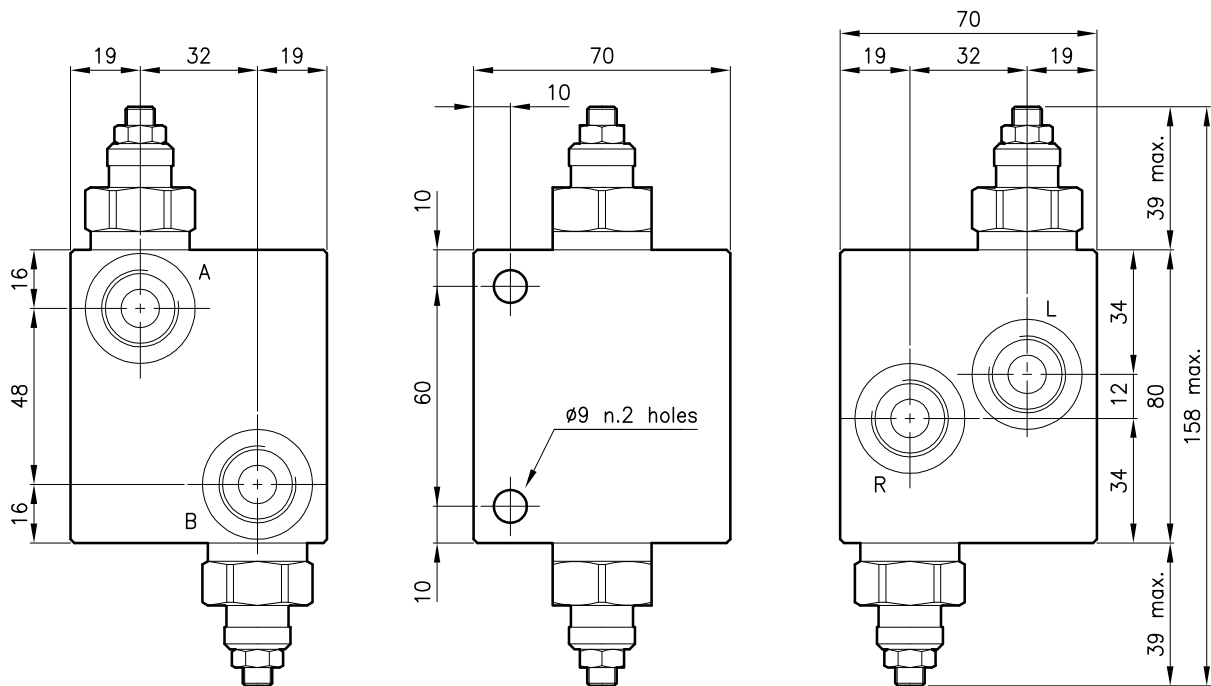


**Technical features**



Valve	(For features see catalogue 07.060)	CMQ 30
Max. flow	(l/min.)	50
Max. system pressure	(bar)	315
Max. setting pressure	(bar)	420
Pilot ratio		8:1
Fluid viscosity range	(cSt)	2.8 - 380
Fluid temperature range	(°C)	-20 +80
Mass	(kg)	1.210

**Dimensions**



**Ordering informations**

**CMQ 30/T-L-CSL 25-B08**

CMQ 30 = Valve type

Standard springs

Type	Setting range	Factory set
D	25 - 125 bar	105 bar
T	105 - 420 bar	280 bar

Adjustment type

L = Adjustment with oversight protection

Version

Standard ports

**B06** = G 3/8 ISO 228

**B08** = G 1/2 ISO 228

Codes:

CMQ 30/D-L-CSL 25-B06	34 011 106
CMQ 30/T-L-CSL 25-B06	34 011 107
CMQ 30/D-L-CSL 25-B08	34 011 108
CMQ 30/T-L-CSL 25-B08	34 011 109

Only bodies code:

Body type 30-CSL 25-B06	38 144 117
Body type 30-CSL 25-B08	38 144 118