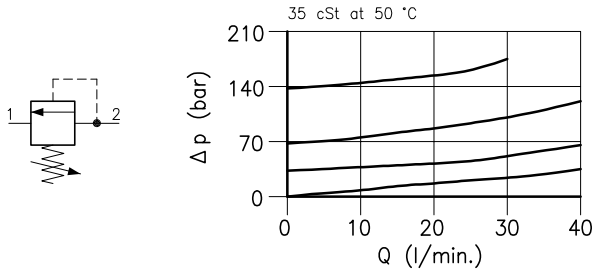
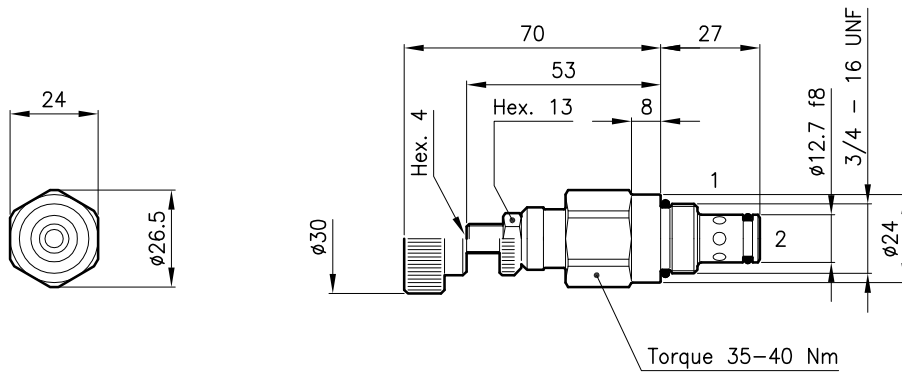


**Technical features**



Cavity (For dimensions see catalogue 17.001)	S 28/2
Max. flow (l/min.)	30
Max. inlet pressure (bar)	210
Max. pressure on line 1 (bar)	210
Fluid viscosity range (cSt)	2.8 - 380
Fluid temperature range (°C)	-20 +80
Mass (kg)	0.125
Cracking pressure 90% of setting value	
Reseat pressure 80% of setting value	
Cracking pressure defined with 1 l/min.	
Standard setting obtained with 5 l/min.	
Hydraulic fluid; mineral oil HM and HV ISO 6074	
Recommended filtration; 19/15 ISO 4466 (25 μ absolutes)	
Standard seals in Polyurethane and Buna N	

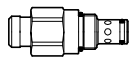
**Dimensions**



**Ordering informations**

**LPE 28/D-N**

LPE 28 = Valve type



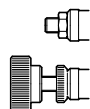
Standard springs

Type	Setting range	Factory set
<b>U</b>	= 10 - 90 bar	35 bar
<b>D</b>	= 35 - 140 bar	70 bar
<b>T</b>	= 70 - 210 bar	140 bar

Adjustment type

**N** = Standard adjustment

**V** = Handknob adjustment



Codes:

LPE 28/U-N	21 011 252
LPE 28/D-N	21 011 253
LPE 28/T-N	21 011 254
LPE 28/U-V	21 011 255
LPE 28/D-V	21 011 256
LPE 28/T-V	21 011 257
External seals kit	90 620 112

LPE 28 valves can be assembled on standard bodies 28-LO series; for dimensions see catalogue 16.010