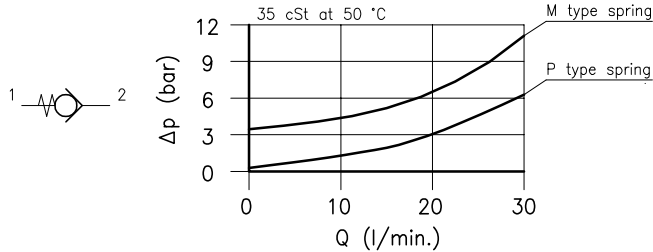
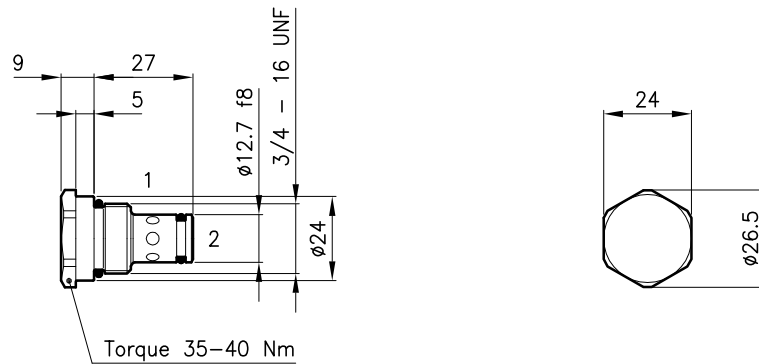


Technical features



Cavity (For dimensions see catalogue 17.001)	S 28/2
Nominal flow (l/min.)	25
Max. pressure (bar)	210
Cracking pressure (bar)	0.35–3.5
Fluid viscosity range (cSt)	2.8 – 380
Fluid temperature range (°C)	-20 +80
Mass (kg)	0.050
Hydraulic fluid; mineral oil HM and HV	ISO 6074
Recommended filtration; 19/15 ISO 4466 (25 μ absolutes)	
Standard seals in Polyurethane and Buna N	

Dimensions



Ordering informations

CAB 28/M

CAB 28 = Valve type



Standard springs

P = 0.35 bar

M = 3.5 bar

Codes:

CAB 28/P 22 011 114

CAB 28/M 22 011 115

External seals kit 90 620 112

CAB 28 valves can be assembled on standard bodies 28-LO series; for dimensions see catalogue 16.010