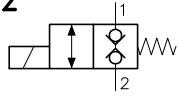
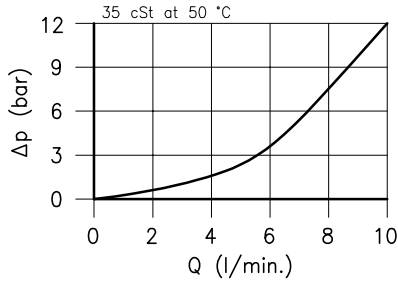
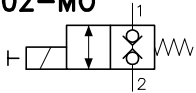


Technical features

02

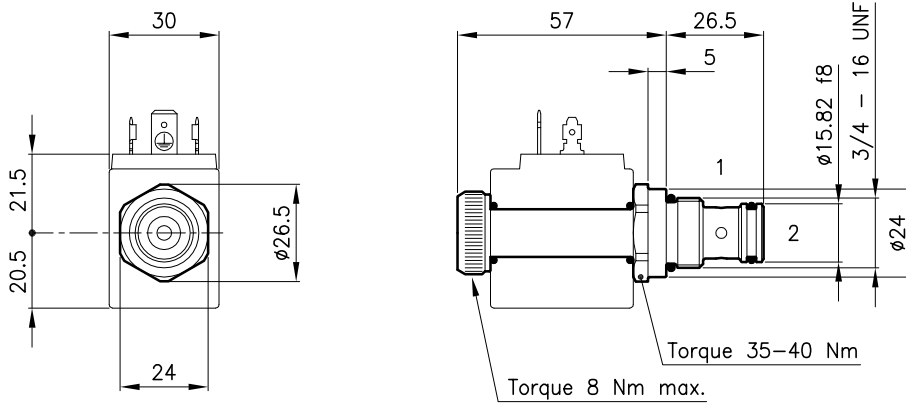


02-MO



Cavity (For dimensions see catalogue 17.001)	S 29/2
Max. flow (l/min.)	10
Max. pressure (bar)	210
Response time (ms) It change in function of circuit, pressure, flow and fluid viscosity.	20 - 40 (Mean value)
Fluid viscosity range (cSt)	2.8 - 380
Fluid temperature range (°C)	-20 +80
Mass (kg)	0.120
Hydraulic fluid; mineral oil HM and HV	ISO 6074
Recommended filtration; 19/15 ISO 4466 (25 μ absolutes)	
Standard seals in Polyurethane and Buna N	

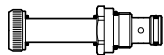
Dimensions



Ordering informations

ECD 29/2202-MO

ECD 29/22.. = Valve type



Circuits

2202 =

MO = Manual override
(Omit if not request)

Codes:

ECD 29/2202	25 011 132
ECD 29/2202-MO	25 011 166
External seals kit	90 620 113

ECD 29/22.. valves can be assembled on standard bodies 29-L0 series; for dimensions see catalogue 16.010

On the ECD 29 valves must be assembled the Coils B28 series; for dimensions, features and codes see catalogue 09.902.