

K-Tower SERIES



**100%
MADE IN
GERMANY**

PROPERTIES

- Resistance to:** Ultraviolet rays, ozone, mineral oils, fuels, salts, alkalis, alcohol, hydrocarbons, ketones, ether, termites and radioactive rays*
- Flame resistance:** UL94 5VA (IEC 60695-11-20)
UL94 V-0 (IEC 60695-11-10)
IEC 61914 following IEC 60695-11-5
Classification following DIN 5510, part 2 Flammability class: S3
- Thermal expansion:** 0.01% per 10°C temperature increase
- Tensile strength:** 120 N/mm²
- Flexural strength:** 210 N/mm²

TEMPERATURE RANGE

- Ambient temperature:** down to -60°C*
- Continuous operation:** up to 120°C
- Permitted short-term heating:** up to 220°C
- Operation life:** more than 40 years of maintenance- and failure-free operation

MATERIAL

High-grade polyamide, fibreglass-reinforced, coloured black, with special UV protection, fully recyclable, self-extinguishing, low-smoke, zero halogen (LSZH), non-toxic, non-corrosive, non-metallic, non-magnetic

Applications:

For stacking, fastening of single- and multi-conductor cables. Universal application indoors and outdoors between -60°C and +120°C.

Outer diameter of cables:

32 mm to 90 mm

Dynamic resistance to short circuits:

10000 N

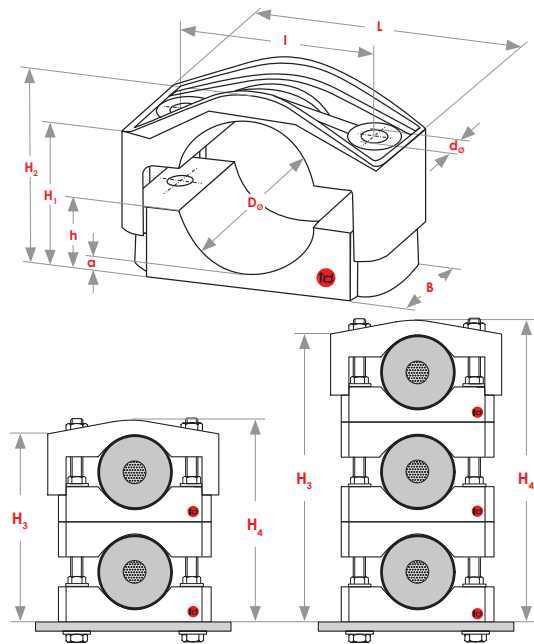
Tightening Torque for fixing material:

Lowest bottom part: 20 Nm
All other parts: 5 Nm**

Legal compliance

- Directive 2015/863/EU (RoHS)
- Regulation (EC) No. 1907/2006 (REACH regulation)

Dimensions in mm



Type	D _ø	L	B	I	H ₁	H ₂	H ₃	H ₄	h	a	d _ø	Screw thread
Double Tower K 26/38	32-38	91	60	60	42-48	54-60	82-100	94-112	19	7	12	M 10/12***
Triple Tower K 26/38							122-152	134-164				
Double Tower K 36/52	41-52	108	60	75	48-59	61-72	100-127	116-143	24	8	12	M 10/12 ***
Triple Tower K 36/52							152-195	169-211				
Double Tower K 50/75	50-75	126	60	95	52-77	74-99	120-170	145-195	30	9	12	M 10/12
Triple Tower K 50/75							188-263	213-288				
Double Tower K 66/90 +	66-90	158	70	120	65-89	91-115	151-199	175-223	42	10	14	M 12

D_ø: Outer cable diameter
+ Consulte id-Technik for details, please.

* For more information contact id-Technik, please.
** Contact id-Technik for trailing cables (EPDM, rubber, etc.), please.
*** M 12 only with flat nuts